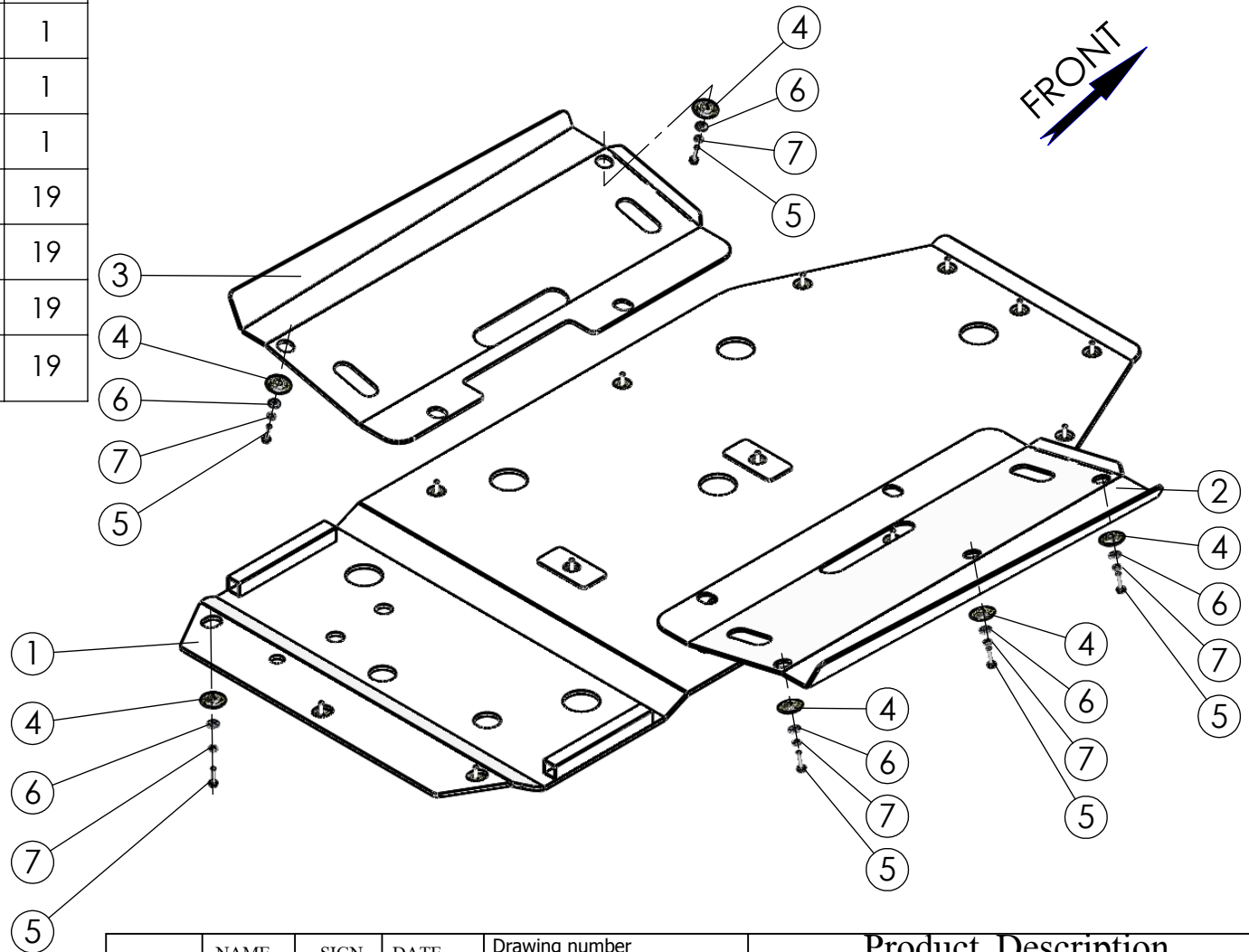


NO.	PART NUMBER	DESCRIPTION	QTY.
1	TTM01.610.000	SKID PLATE	1
2	TTM01.600.001	RIGHT SIDE SKID PLATE	1
3	TTM01.600.002	LEFT SIDE SKID PLATE	1
4	10858	Pocket Washer 8	19
5	1364	Hex Bolt NF 1/4"x1"	19
6	6018	Washer 6x16	19
7	6009	Spring washer 6 DIN 127	19



			NAME	SIGN.	DATE	Drawing number		Product Description	
			CHG.	Slava	11.03.15	TTM01.600.000		Vehicle Manuf.	POLARIS
			DWN.	Slava	29.09.12	Drawing description		Vehicle Model	RANGER
			PLN.	DAVID	<i>David</i>	LOWER SKID PLATE		Vehicle Version	RZR800S
			CONFIRM	DANI		Catalogue number		VIN	
			ASFIR LTD.			361147		Year of Product.	2009-2012
						Weight,kg 21.4		Gear Shift	AUTOMATIC
								Motor Model	PETROL
							Transmission	4X4	

Confidential

All rights in and to this document are property of ASFIR Ltd. and reserved to it. This document is forwarded to the recipient under the condition of and subject to the obligation of the recipient to keep the confidentiality of its contents. Copying transfer of distribution of this document or its contents and the use of it not for the purpose intended-are strictly forbidden.