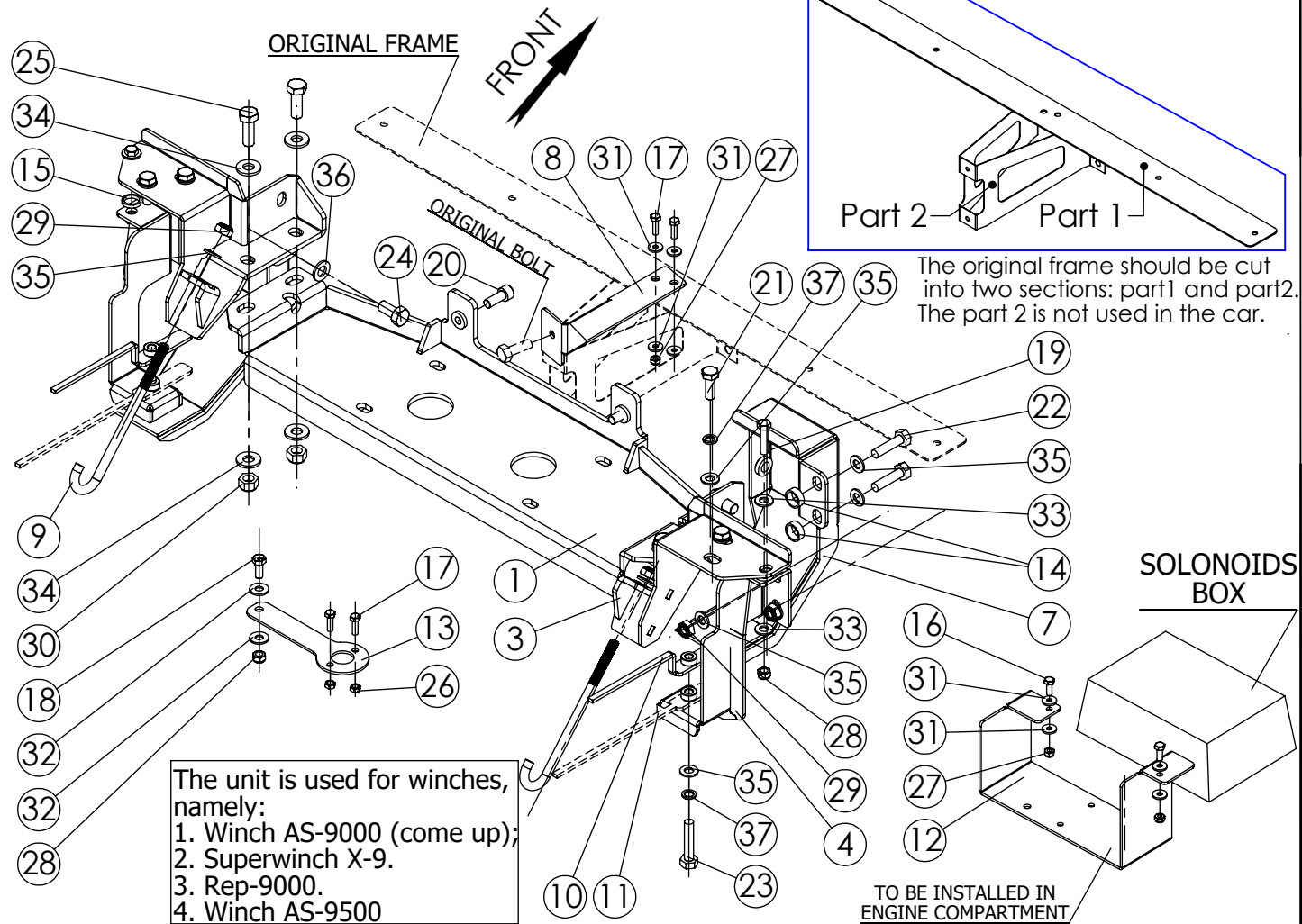


NO.	PART NUMBER	DESCRIPTION	QTY
1	MTW52.010.000	Winch Mounting Plate	1
2	MTW52.020.000L	Left Bracket	1
3	MTW52.020.000R	Right Bracket	1
4	MTW52.030.000R	Right Side Bracket	1
5	MTW52.030.000L	Left Side Bracket	1
6	MTW52.040.000L	Left Cover Bracket	1
7	MTW52.040.000R	Right Cover Bracket	1
8	MTW52.000.001	Bracket	1
9	MTW52.000.002	Hook	2
10	MTW52.000.003	Plate with Nut for year 2015	2
11	MTW52.000.003A	Plate with Nut for years 2007-2014 only	2
12	MTW52.000.004	Plate for Solenoid	1
13	NSW31.000.005	Adapter to switch	1
14	8515	Spacer 1/2" L=8mm	4
15	8516	Spacer 1/2" L=4mm	2
16	1133	Hex bolt M6x16 DIN 933	2
17	1104	Hex bolt M6x20 DIN 933	4
18	1161	Hex Bolt M8x20 DIN 933	1
19	1000	Hex Bolt M8x35 DIN 933	2
20	1029	Socket Head cap screw M10x1.5x25 DIN 912	2
21	1021	Hex Bolt M10x1.25x30 DIN 961	4
22	1010	Hex Bolt M10x1.5x40 DIN 933	4
23	1054	Hex bolt M10x1.5x50 DIN933	2
24	1073	Hex bolt M12x1.75x25 DIN 933	4
25	1003	Hex bolt M12x1.75x35 DIN 933	4
26	3019	Hex Nut M6 DIN 934	2
27	3006	Hex Nut Nylock M6 DIN 985	4
28	3005	Hex nut nylock M8 DIN 985	3
29	3037	Hex Nut Nylock M10x1.5 DIN 985	6
30	3001	Hex Nut Nylock M12x1.75 DIN 985	4
31	6018	Washer 6x16 DIN 125	8
32	6003	Washer 8x20 DIN 125	4
33	6023	Washer 10x20 DIN125	2
34	6006	Washer 12x24 DIN 125	8
35	6023	Washer 10x20 DIN125	16
36	6006	Washer 12x24 DIN 125	4
37	6008	Spring washer 10 DIN 127	6
38	MTW52.050.000	Red Cable from Battery Switch	1
42		Cable 5x1.5mm^2 L=1000mm	1
43		Mounting Drive Packet	1



			NAME	SIGN.	DATE	Drawing number	Product Description	
CHG.	Leonid				18.01.17	MTW52.000.000	Vehicle Manufacturer	MITSUBISHI
DWN.	Slava			27.04.08			Vehicle Version	Pajero BK
CHKD.	David			12.02.17		Drawing description	Vehicle Model	LWB
CONFIRM	Dani					Hidden winch mount	Year of Production	2007-2016
ASFIR LTD.						Catalogue number	Gear Shift	Automatic
						503020	Motor Model	Petrol / Diesel
						Sheet	Sheets 1	Transmission

Confidential
All rights in and to this document are property of ASFIR Ltd and reserved to it.
This document is forwarded to the recipient under the condition of and subject to the obligation of the recipient to keep the confidentiality of its contents.
Copying transfer of distribution of this document or its contents and the use of it not for the purpose intended-are strictly forbidden.