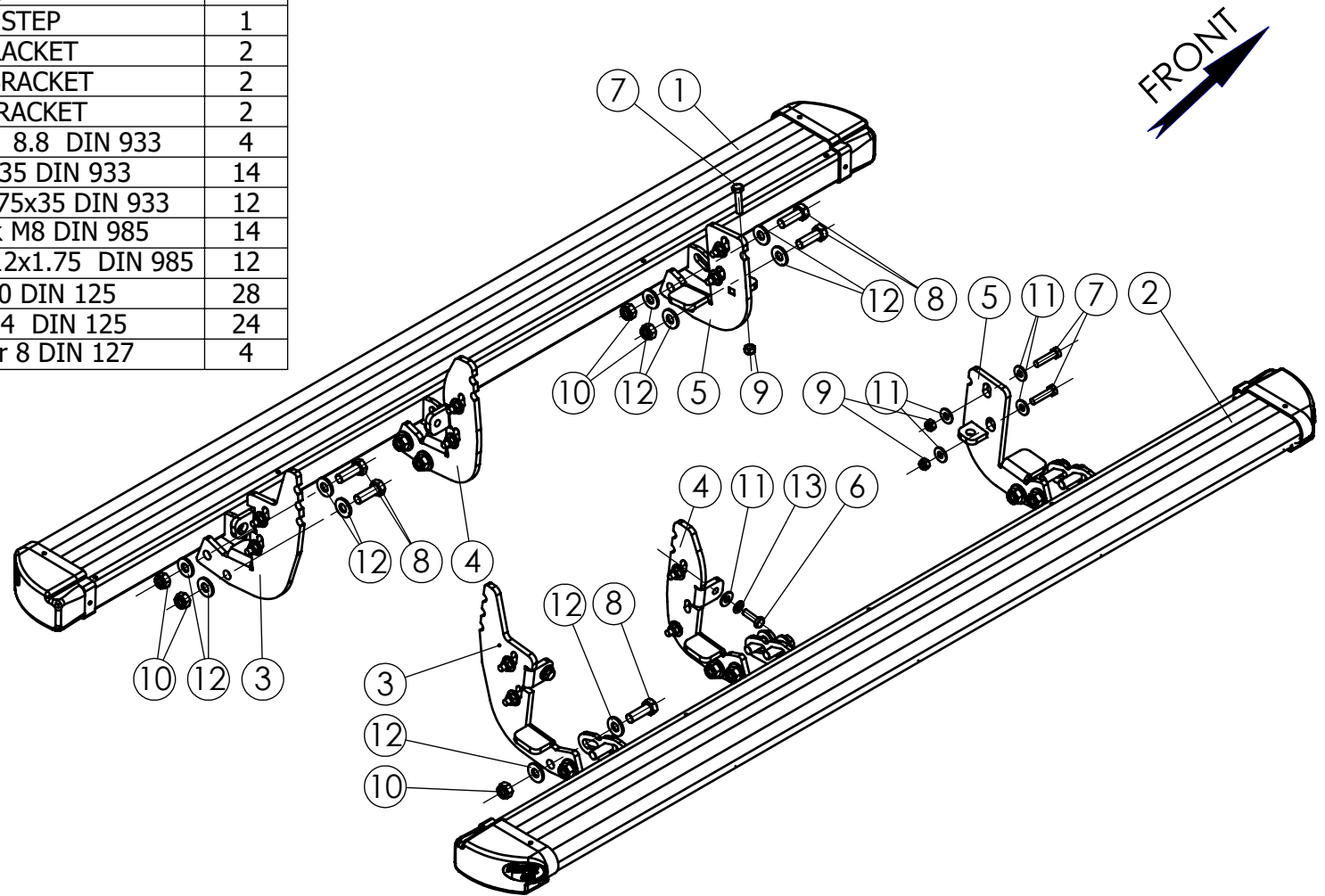


NO.	PART NUMBER	DESCRIPTION	QTY.
1	MTM69.100.000	LEFT STEP	1
2	MTM69.100.000R	RIGHT STEP	1
3	MTM67.000.001	REAR BRACKET	2
4	MTM67.000.002	MIDDLE BRACKET	2
5	MTM67.030.000	FRONT BRACKET	2
6	1168	Hex Bolt M8x25 8.8 DIN 933	4
7	1000	Hex Bolt M8x35 DIN 933	14
8	1003	Hex bolt M12x1.75x35 DIN 933	12
9	3005	Hex Nut nylock M8 DIN 985	14
10	3001	Hex Nut Nylock M12x1.75 DIN 985	12
11	6003	Washer 8x20 DIN 125	28
12	6006	Washer 12x24 DIN 125	24
13	6001	Spring washer 8 DIN 127	4



Maximum Tightening Torques

M8 (8.8)	25 Nm
M12 (8.8)	85 Nm

	NAME	SIGN.	DATE
CHG.	Alex		08.01.17
DWN.	Charnay		29.12.09
PLN.	David		8.01.17
CONFIRM	Dani		

ASFIR LTD.

Drawing number		Product Description	
MTM69.000.000		Vehicle Manuf.	MITSUBISHI
Drawing description		Vehicle Model	PAJERO BK
SIDE STEP PROTECTOR Silver		Vehicle Version	SWB
Catalogue number		VIN	
503054		Year of Product.	2007-2016
Weight,kg 26		Gear Shift	AUTOMATIC
		Motor Model	DIESEL/PETROL
		Transmission	4X4

Confidential
All rights in and to this document are property of ASFIR Ltd. and reserved to it. This document is forwarded to the recipient under the condition of and subject to the obligation of the recipient to keep the confidentiality of its contents. Copying, transfer or distribution of this document or its contents and the use of it not for the purpose intended-are strictly forbidden.