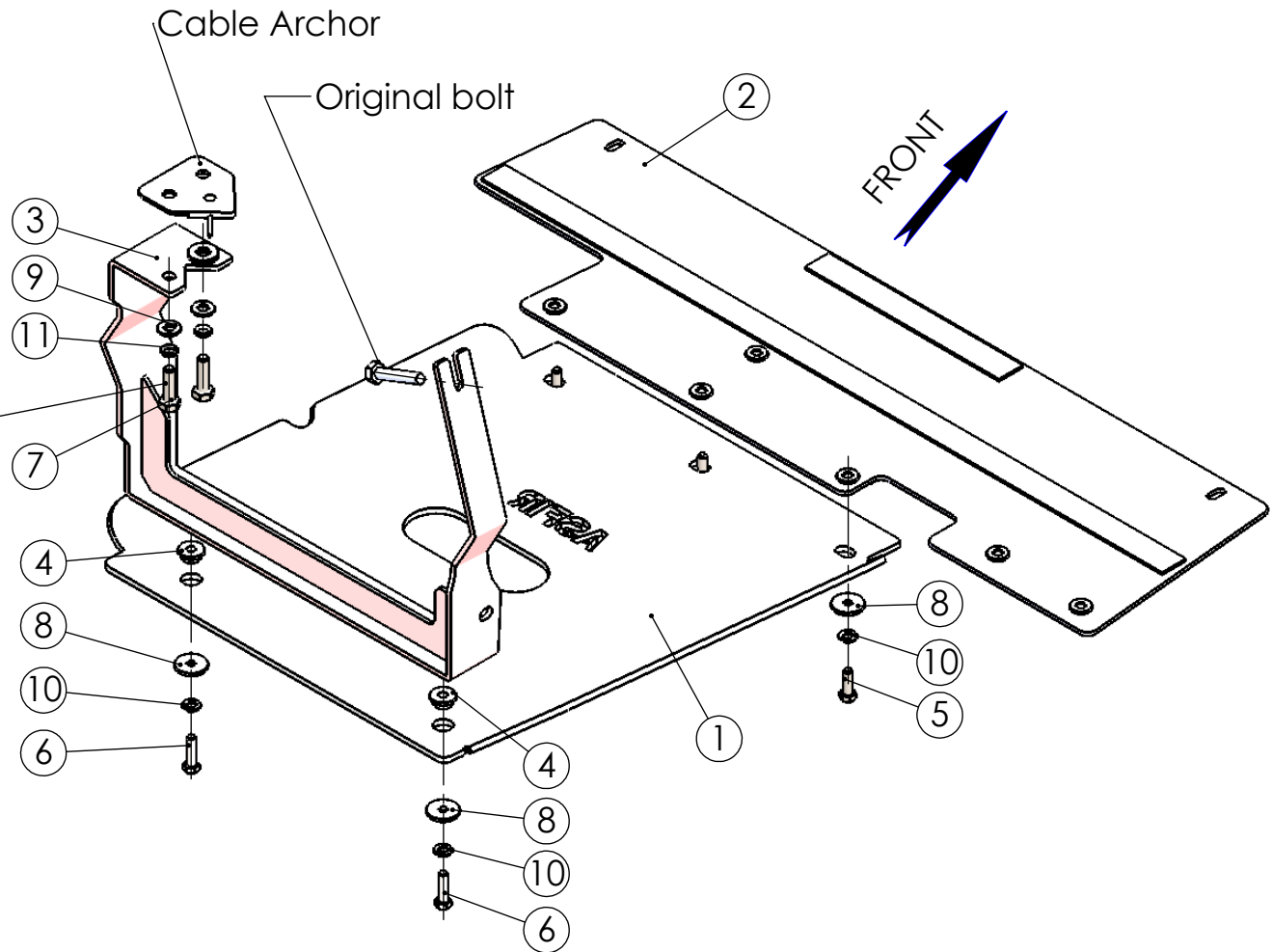


NO	PART NUMBER	DESCRIPTION	QTY
1	MTM46.000.001	Skid plate	1
2	MTM46.000.002	Joint for two skid plates	1
3	MTM46.010.000	Bracket	1
4	9001	Rubber plug 18	2
5	1168	Hex Bolt M8x25 DIN 933	3
6	1209	Hex Bolt M8x30 DIN 933	2
7	1027	Hex bolt M10X1.25x35 DIN 961	2
8	6013	Washer 8x30 DIN 9021	5
9	6023	Washer 10x21 DIN125	2
10	6001	Spring washer 8 DIN 127	5
11	6008	Spring washer 10 DIN 127	2

Torque wrench: 53 ± 5 Nm



NAME	SIGN.	DATE	Drawing number	Product Description	
CHG.	Slava	10.04.12	MTM46.000.000	Vehicle Manufacturer	Mitsubishi
DWN.	Slava	15.01.07		Vehicle Model	Pajero BK
CHKD.	David	<i>RDG/12</i>	Drawing description	Vehicle Version	SWB/LWB
CONFIRM	Dani		Transfer Skid Plate	Year of Production	2007-2012
<h1 style="text-align: center;">ASFIR LTD.</h1>				Catalogue number	Gear Shift
			503066	Motor Model	Petrol
			Weight,kg 15.5	Sheet	Sheets 1

Confidential

All rights in and to this document are property of ASFIR Ltd. and reserved to it. This document is forwarded to the recipient under the condition of and subject to the obligation of the recipient to keep the confidentiality of its contents. Copying transfer of distribution of this document or its contents and the use of it not for the purpose intended-are strictly forbidden.