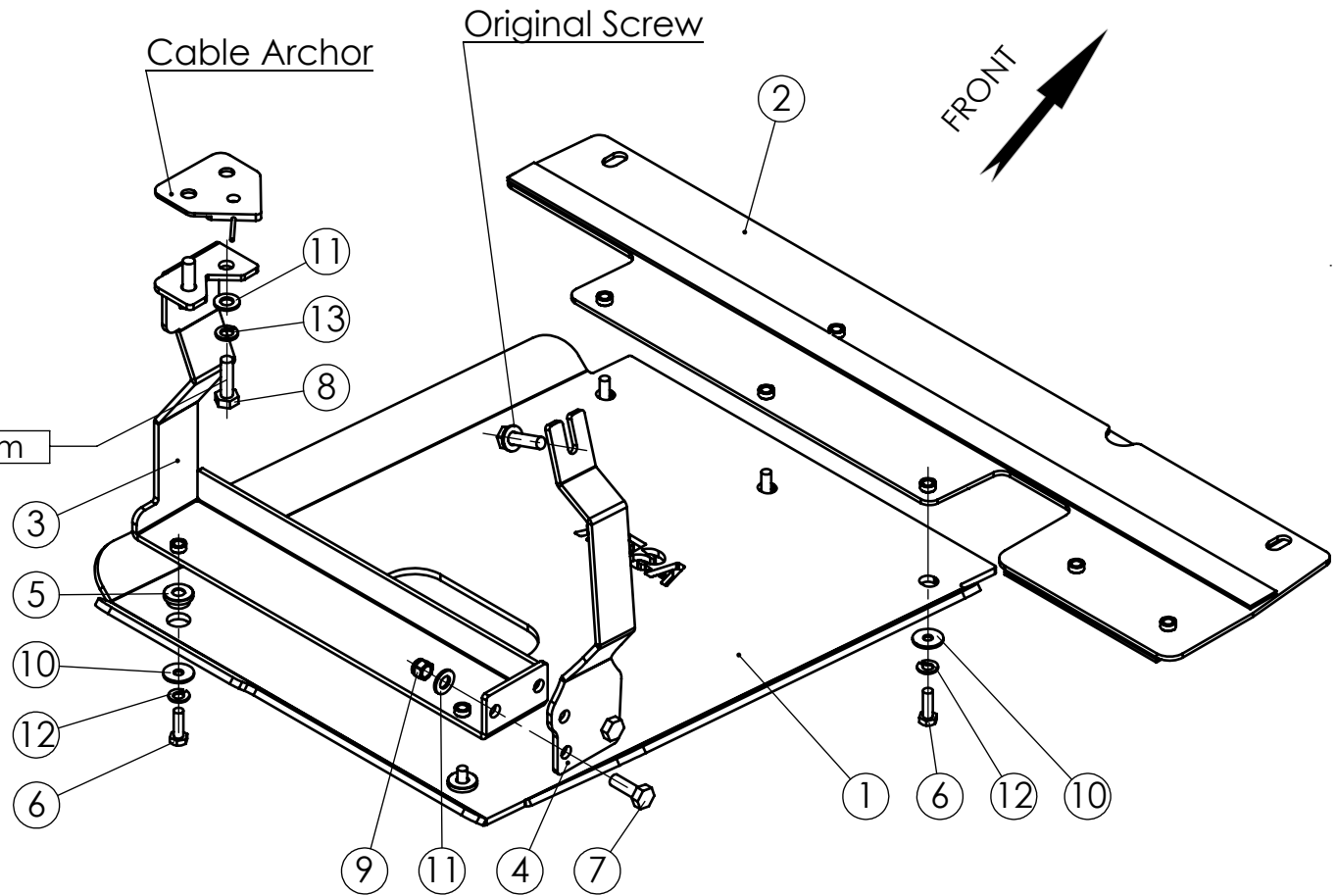


NO.	PART NUMBER	DESCRIPTION	QTY.
1	MTM10.000.001E	Transfer skid plate	1
2	MTM56.000.002	Joint for two skid plate	1
3	MTM56.020.001	Bracket	1
4	MTM56.020.002	Right bracket	1
5	9000	Rubber bushing	2
6	1168	Hex bolt M8x25 DIN933	5
7	1010	Hex bolt M10x1.5x30 DIN 933	2
8	1066	Hex bolt M10x1.25x35 DIN961	2
9	3020	Nut nylock M10x1.5 DIN 985	2
10	6000	Washer 8x24 DIN9021	5
11	6023	Washer 10x20 DIN125	4
12	6001	Spring washer 8 DIN127	5
13	6008	Spring washer 10 DIN 127	2

Torque wrench: 53 ± 5 Nm



				Drawing number	Product Description	
CHG.	Sagi		06.10.16	MTM56.000.000	Vehicle Manufacturer	Mitsubishi
DWN.	Charnay		08.05.07		Vehicle Model	Pajero BK
CHKD.	David			Drawing description	Vehicle Version	LWB/SWB
CONFIRM	Dani			Transfer Skid Plate	Year of Production	2007 - 2016
ASFIR LTD.					Catalogue number	Gear Shift
				503067	Motor Model	Diesel
				Weight, kg 12.3	Transmission	4 X 4

Confidential
 All rights in and to this document are property of ASFIR Ltd. and reserved to it. This document is forwarded to the recipient under the condition of and subject to the obligation of the recipient to keep the confidentiality of its contents. Copying transfer of distribution of this document or its contents and the use of it not for the purpose intended are strictly forbidden.