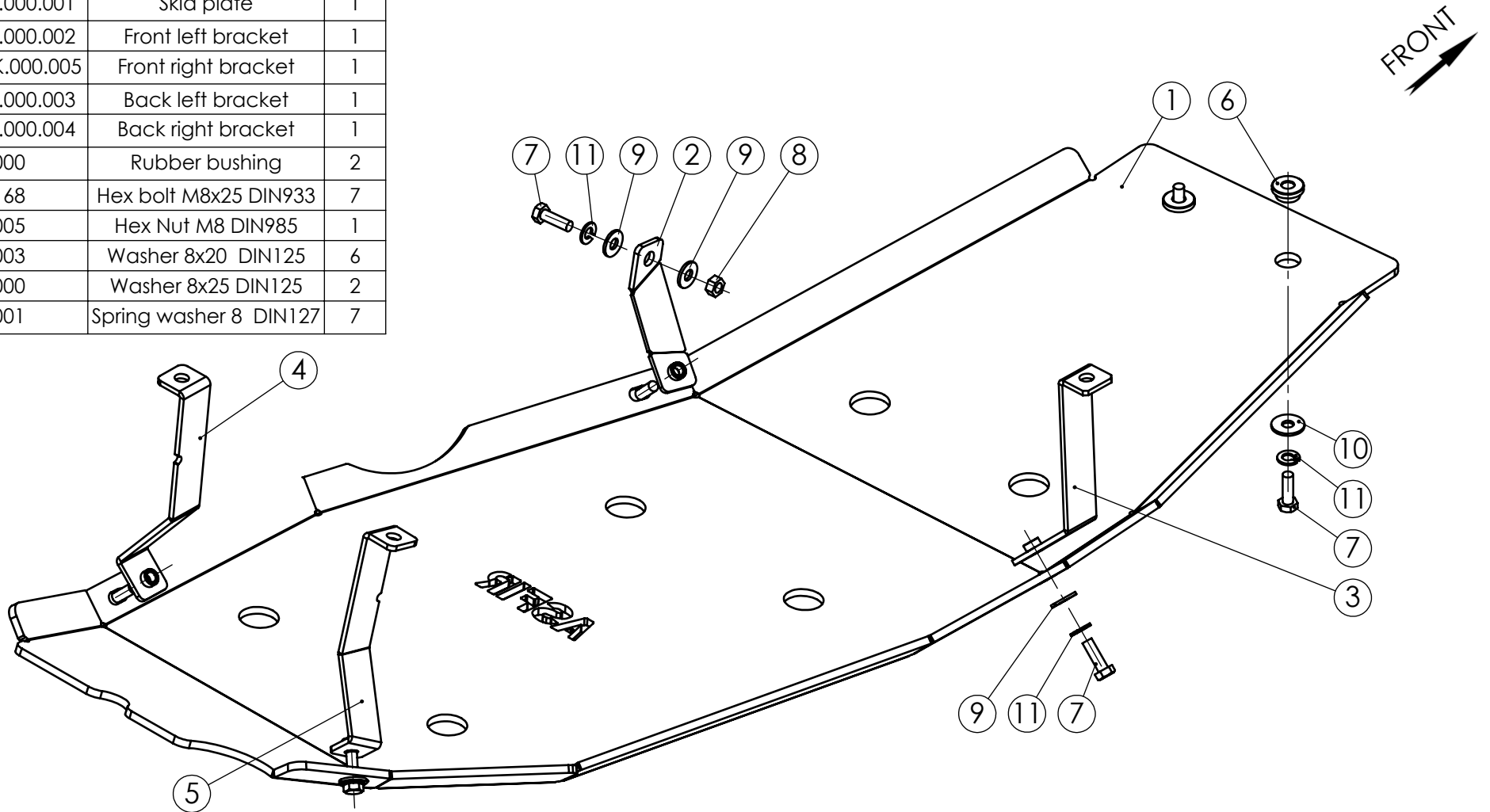


NO.	PART NUMBER	DESCRIPTION	QTY.
1	MTM44.000.001	Skid plate	1
2	MTM44.000.002	Front left bracket	1
3	MTM11K.000.005	Front right bracket	1
4	MTM44.000.003	Back left bracket	1
5	MTM44.000.004	Back right bracket	1
6	9000	Rubber bushing	2
7	1168	Hex bolt M8x25 DIN933	7
8	3005	Hex Nut M8 DIN985	1
9	6003	Washer 8x20 DIN125	6
10	6000	Washer 8x25 DIN125	2
11	6001	Spring washer 8 DIN127	7



CHG.	NAME	SIGN.	DATE	Drawing number	Product Description	
CHG.	Sagi		06.10.16	MTM44.000.000	Vehicle Manufacturer	Mitsubishi
DWN.	Charnay		04.12.06		Vehicle Model	Pajero BK
CHKD.	David			Drawing description	Vehicle Version	SWB
CONFIRM	Dani			Fuel Tank Skid Plate	Year of Production	2007-2016
ASFIR LTD.				Catalogue number	Gear Shift	Automatic
				503072	Motor Model	Petrol/Diesel
				Weight,kg	8	Transmission
Sheet		Sheets 1				

Confidential
All rights in and to this document are property of ASFIR Ltd. and reserved to it.
This document is forwarded to the recipient under the condition of and subject
to the obligation of the recipient to keep the confidentiality of its contents.
Copying transfer of distribution of this document or its contents and the use
of it not for the purpose intended-are strictly forbidden.