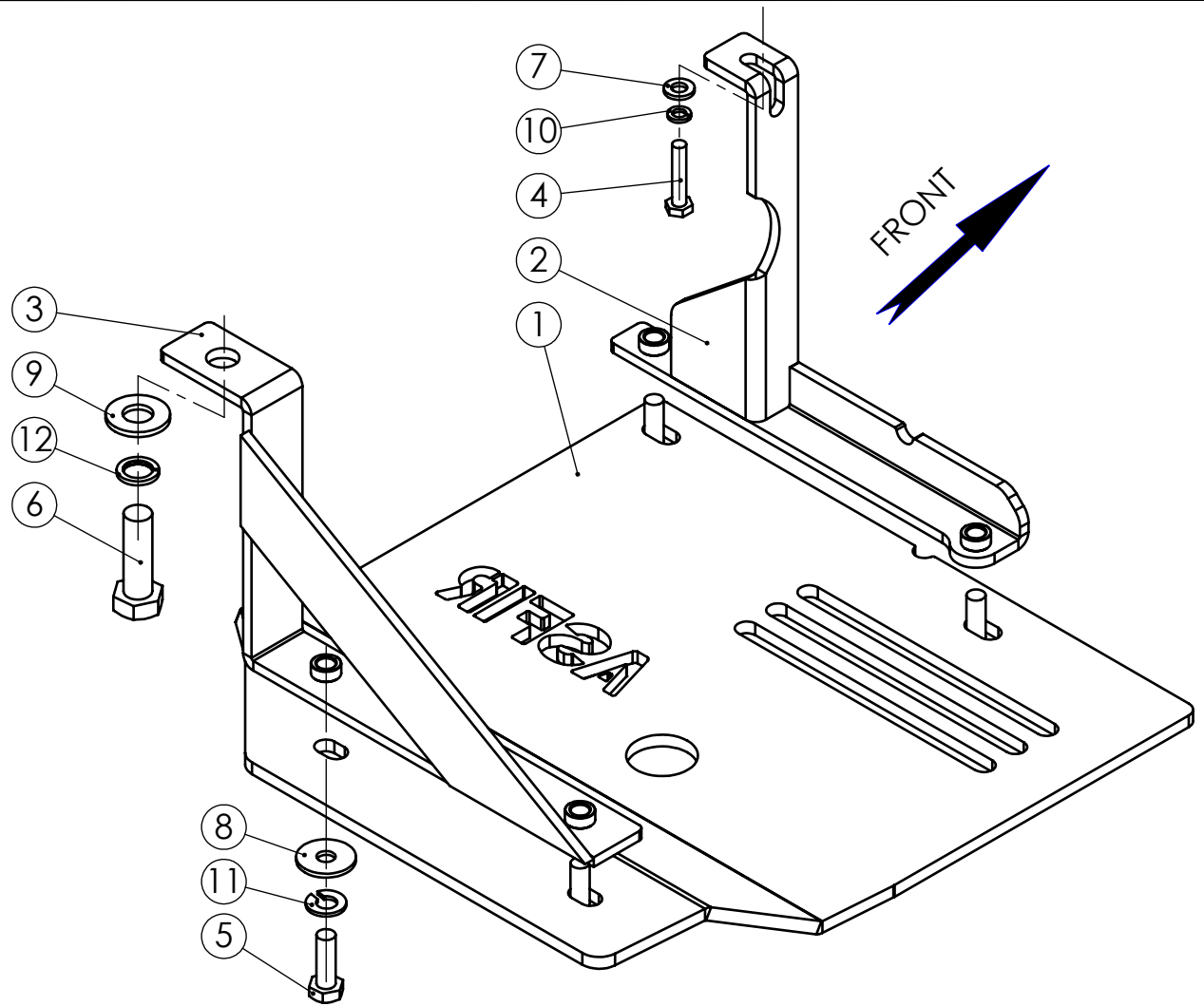


NO.	PART NUMBER	DESCRIPTION	QTY.
1	MTM48.000.001	Skid plate	1
2	MTM48.010.000	Front bracket	1
3	MTM12.010.000	Rear bracket	1
4	1052	Hex Bolt M6X30	1
5	1168	Hex bolt M8x25 DIN933	4
6	1040	Hex Bolt M12X1.25X40 DIN 961	1
7	6011	Washer 6x21 DIN125	1
8	6000	Washer 8x24 DIN9021	4
9	6006	Washer 12X27x3	1
10	6009	Spring washer 6 DIN 127	1
11	6001	Spring washer 8 DIN127	4
12	6005	Spring washer 12 DIN 127	1



CHG.	NAME	SIGN.	DATE	Drawing number	Product Description	
CHG.	Sagi		09.10.16	MTM48.000.000	Vehicle Manufacturer	Mitsubishi
DWN.	Charnay		05.12.06		Vehicle Model	Pajero BK / CK
CHKD.	David			Drawing description	Vehicle Version	LWB
CONFIRM	Dani			Air Condition Skid Plate	Year of Production	2001-2016
<div style="text-align: center; font-size: 2em; font-weight: bold;">ASFIR LTD.</div>				Catalogue number	Gear Shift	Automatic \ Manual
				503078	Motor Model	Petrol \ Diesel
				Mass, kg 3.0	Sheet	Sheets 1

Confidential

All rights in and to this document are property of ASFIR Ltd. and reserved to it. This document is forwarded to the recipient under the condition of and subject to the obligation of the recipient to keep the confidentiality of its contents. Copying transfer of distribution of this document or its contents and the use of it not for the purpose intended-are strictly forbidden.