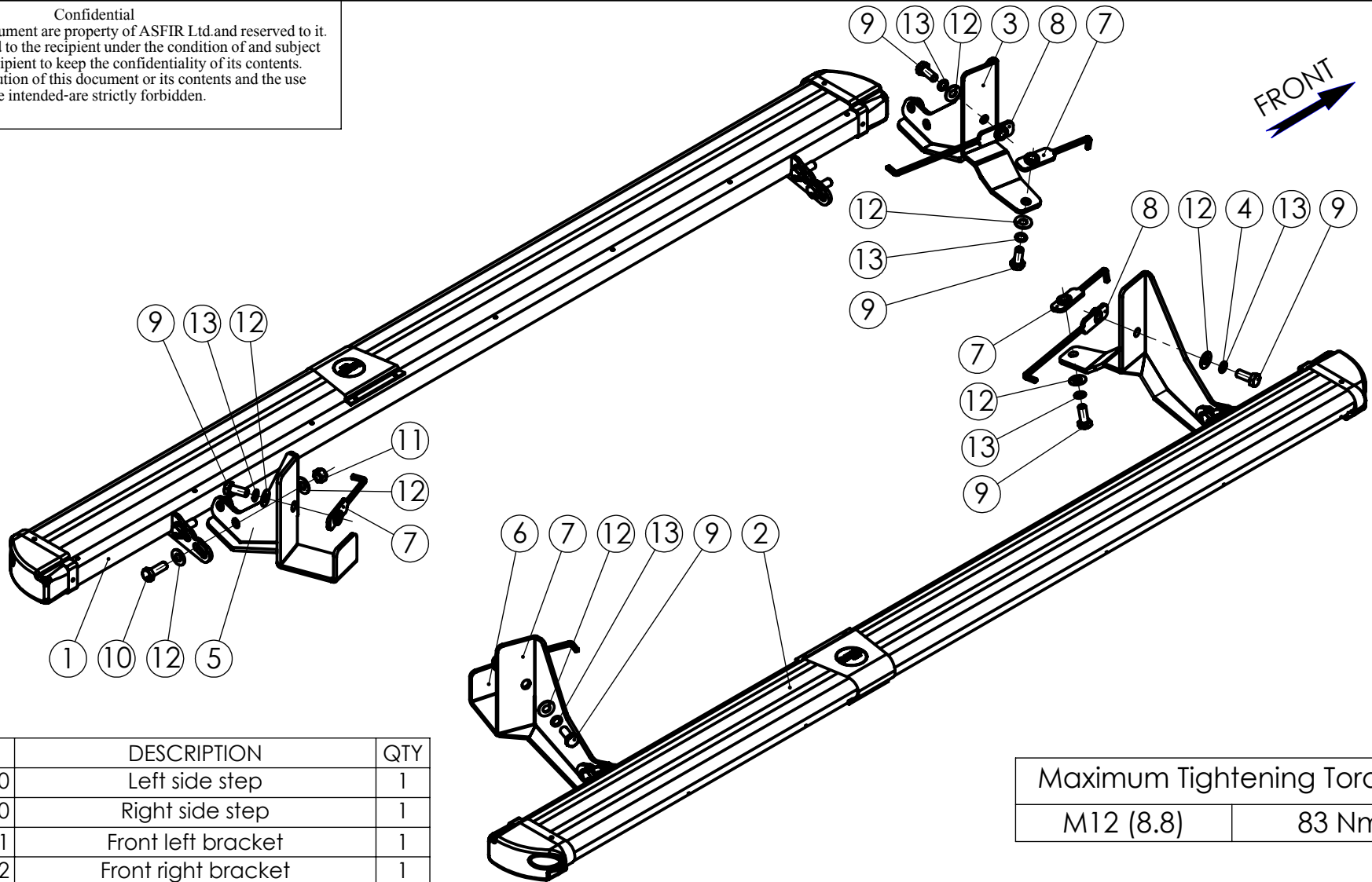


Confidential

All rights in and to this document are property of ASFIR Ltd. and reserved to it. This document is forwarded to the recipient under the condition of and subject to the obligation of the recipient to keep the confidentiality of its contents. Copying transfer of distribution of this document or its contents and the use of it not for the purpose intended are strictly forbidden.



NO	PART NUMBER	DESCRIPTION	QTY
1	VWM21.100.000	Left side step	1
2	VWM21.200.000	Right side step	1
3	VWM21.000.001	Front left bracket	1
4	VWM21.000.002	Front right bracket	1
5	VWM21.000.003	Rear left bracket	1
6	VWM21.000.004	Rear right bracket	1
7	VWM21.000.005	Remote Nut M12x1.75	4
8	VWM21.000.006	Remote Nut M12x1.75	2
9	1248	Hex Bolt M12x1.75x30 DIN 933	6
10	1003	Hex Bolt M12x1.75x35 DIN 933	8
11	3001	Hex Nut Nylock M12x1.75 DIN 985	8
12	6006	Washer 12x24 DIN 125	22
13	6005	Spring washer 12 DIN 127	6

Maximum Tightening Torques	
M12 (8.8)	83 Nm

	NAME	SIGN.	DATE
CHG.	David		20.11.17
DWN.	Slava		15.03.12
PLN.	David		20.11.17
CONFIRM	Dani		

**ASFIR LTD.**

Drawing number		Product Description	
VWM21.000.000B		Vehicle Manufacturer	Volkswagen
Drawing description		Vehicle Model	Amarok
Side step protector Black		VIN	WV1ZZZ2HZCA040604
Catalogue number		Year of Production	2012 - 2017
523051		Gear Shift	6-speed manual
Mass, kg 31		Motor Model	2.5 T.D.
Sheet	Sheets 1	Transmission	4x4