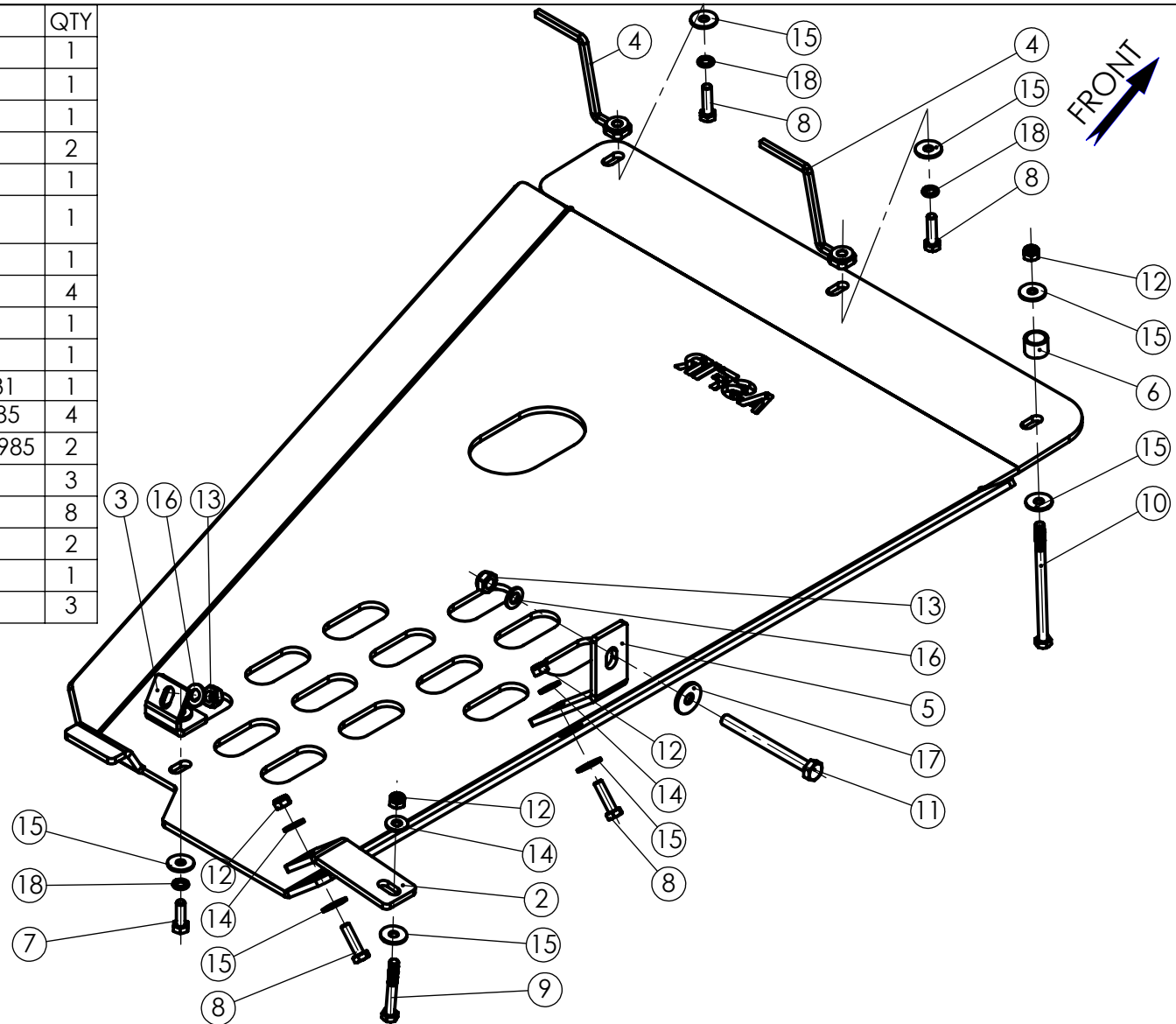


NO	PART NUMBER	DESCRIPTION	QTY
1	VWM19.000.001	Transfer skid plate	1
2	VWM19.000.002	Side bracket	1
3	VWM19.000.003	Rear bracket	1
4	VWM19.000.004	Remote nut M8	2
5	VWM19.000.005	Middle bracket	1
6	7206	Spacer /St. 37 pipe 1/2"x2 L=15 mm/	1
7	1168	Hex Bolt M8x25 DIN 933	1
8	1209	Hex Bolt M8x30 DIN 933	4
9	1369	Hex Bolt M8x60 DIN 931	1
10	1168	Hex Bolt M8x130 DIN 931	1
11	1054	Hex Bolt M10x1.5x110 DIN 931	1
12	3005	Hex Nut Nylock M8 DIN 985	4
13	3037	Hex Nut Nylock M10x1.5 DIN 985	2
14	6003	Washer 8x20 DIN 125	3
15	6000	Washer 8x24 DIN 9021	8
16	6023	Washer 10x20 DIN125	2
17	6010	Washer 10x30 DIN 9021	1
18	6001	Spring washer 8 DIN 127	3



Maximum Tightening Torques

M8 (8.8)	25 Nm
M10 (8.8)	50 Nm

	NAME	SIGN.	DATE	Drawing number	Product Description	
CHG.	David		20.11.17	VWM19.000.000	Vehicle Manufacturer	Volkswagen
DWN.	Slava		26.03.12	Drawing description	Vehicle Model	Amarok
PLN.	David		20.11.17	Transfer Skid Plate	VIN	WV1ZZZ2HZCA040604
CONFIRM	Dani			Catalogue number	Year of Production	2012 - 2017
ASFIR LTD.				523065	Gear Shift	6-speed manual
				Massa, kg 9.6	Motor Model	2.5 T.D.
				Sheet	Sheets 1	Transmission

Confidential

All rights in and to this document are property of ASFIR Ltd. and reserved to it. This document is forwarded to the recipient under the condition of and subject to the obligation of the recipient to keep the confidentiality of its contents. Copying transfer of distribution of this document or its contents and the use of it not for the purpose intended are strictly forbidden.