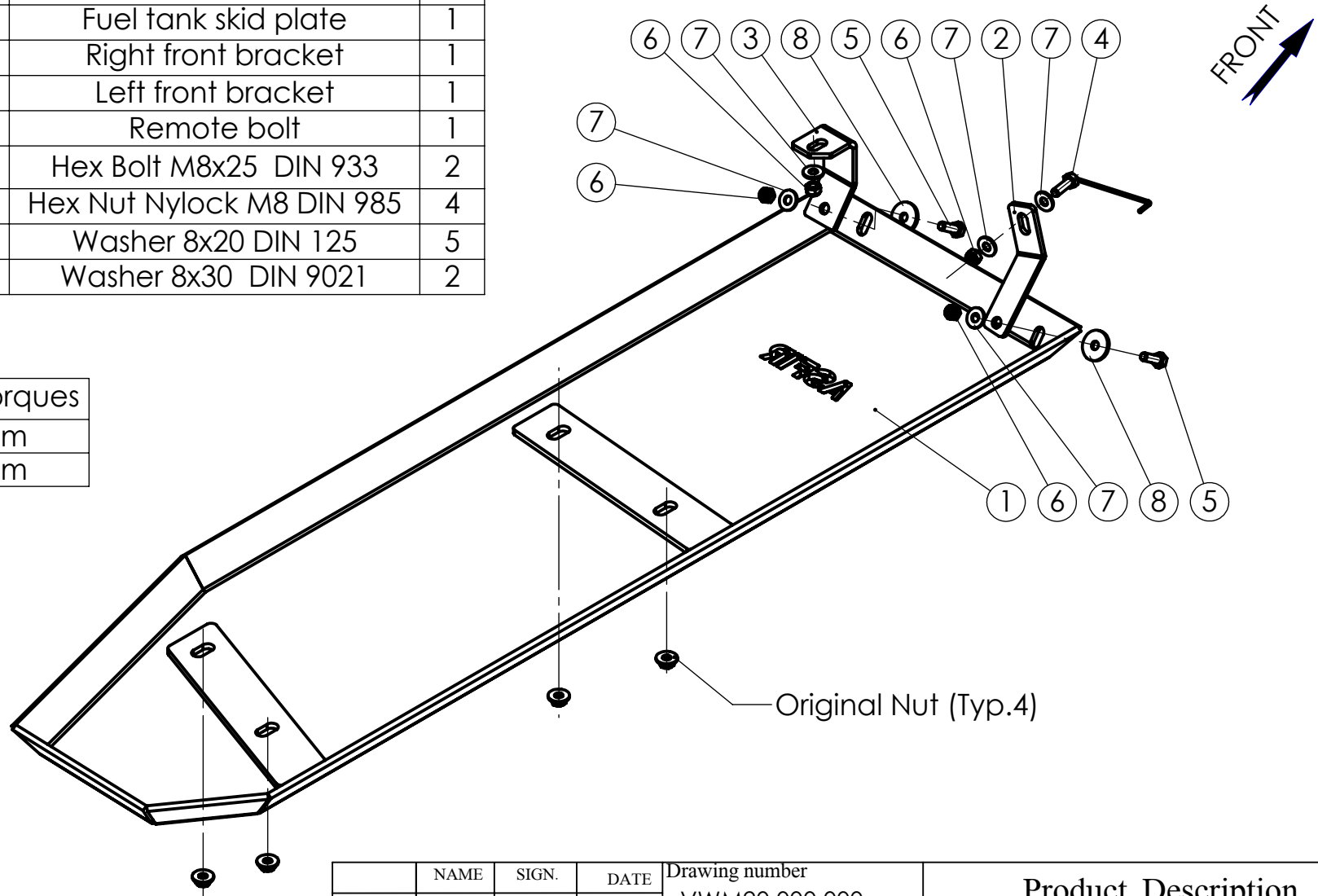


| NO | PART NUMBER | DESCRIPTION | QTY |
|----|---------------|---------------------------|-----|
| 1 | VWM20.010.000 | Fuel tank skid plate | 1 |
| 2 | VWM20.000.002 | Right front bracket | 1 |
| 3 | VWM20.000.003 | Left front bracket | 1 |
| 4 | VWM20.020.000 | Remote bolt | 1 |
| 5 | 1168 | Hex Bolt M8x25 DIN 933 | 2 |
| 6 | 3005 | Hex Nut Nylock M8 DIN 985 | 4 |
| 7 | 6003 | Washer 8x20 DIN 125 | 5 |
| 8 | 6013 | Washer 8x30 DIN 9021 | 2 |

| Maximum Tightening Torques | |
|----------------------------|-------|
| M8 (8.8) | 25 Nm |
| M10 (8.8) | 50 Nm |



| CHG. | NAME | SIGN. | DATE | Drawing number | Product Description | |
|-------------------|-------|-------|----------|----------------------|----------------------|-------------------|
| | Slava | | 16.08.17 | VWM20.000.000 | Vehicle Manufacturer | Volkswagen |
| | Slava | | 26.03.12 | Drawing description | Vehicle Model | Amarok |
| | David | | 16.08.17 | Fuel Tank Skid Plate | VIN | WV1ZZZ2HZCA040604 |
| | Dani | | | Catalogue number | Year of Production | 2012 - 2014 |
| ASFIR LTD. | | | | 523070 | Gear Shift | 6-speed manual |
| | | | | Mass, kg 8.2 | Motor Model | 2.5 T.D. |
| | | | | Sheet | Sheets 1 | Transmission |

Confidential
 All rights in and to this document are property of ASFIR Ltd. and reserved to it. This document is forwarded to the recipient under the condition of and subject to the obligation of the recipient to keep the confidentiality of its contents. Copying transfer of distribution of this document or its contents and the use of it not for the purpose intended-are strictly forbidden.