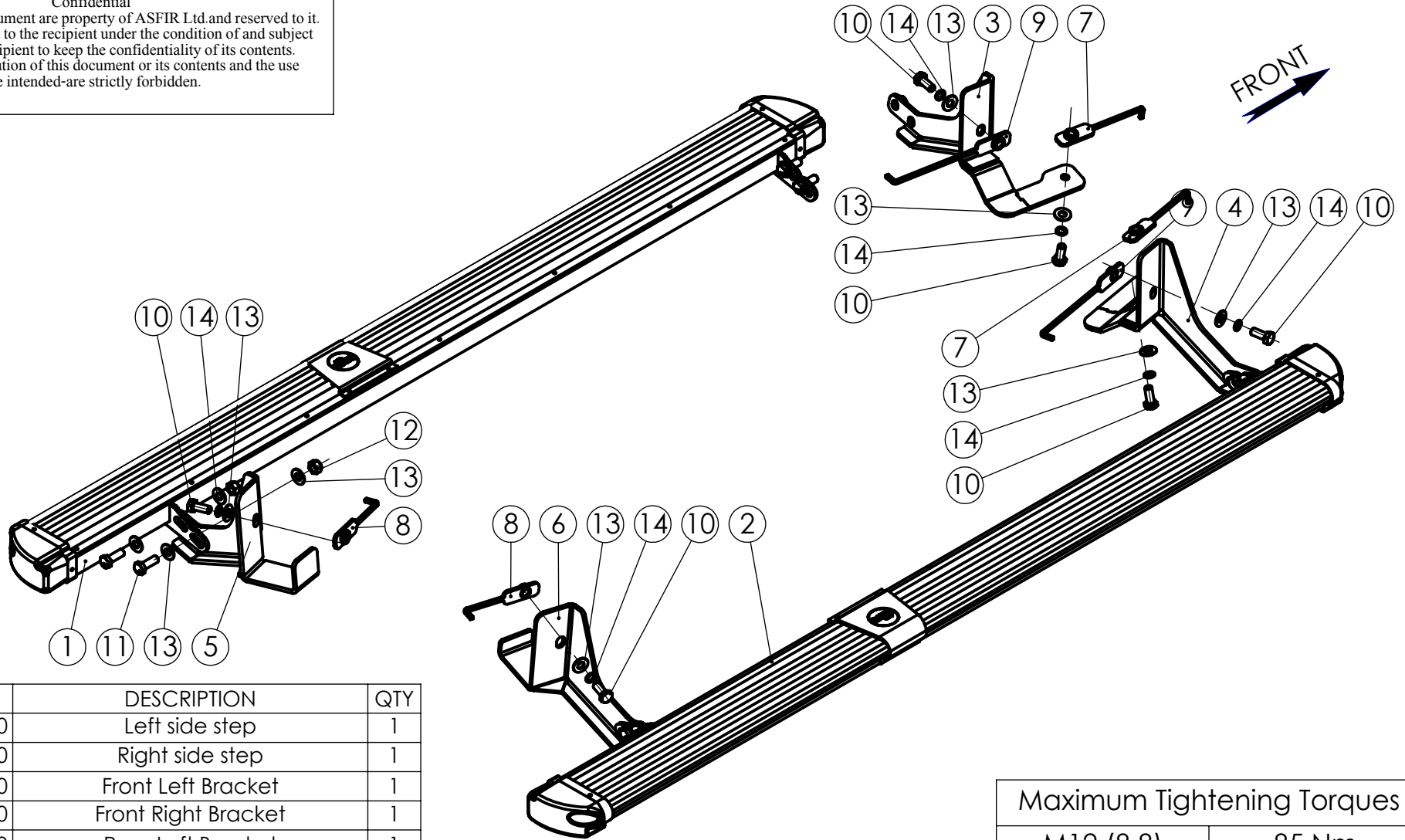


Confidential

All rights in and to this document are property of ASFIR Ltd. and reserved to it. This document is forwarded to the recipient under the condition of and subject to the obligation of the recipient to keep the confidentiality of its contents. Copying transfer of distribution of this document or its contents and the use of it not for the purpose intended are strictly forbidden.



NO	PART NUMBER	DESCRIPTION	QTY
1	VWM26.100.000	Left side step	1
2	VWM26.200.000	Right side step	1
3	VWM26.000.030	Front Left Bracket	1
4	VWM26.000.040	Front Right Bracket	1
5	VWM26.000.050	Rear Left Bracket	1
6	VWM26.000.060	Rear Right Bracket	1
7	VWM26.000.008	Remote Nut M12x1.75	2
8	VWM21.000.005	Remote Nut M12x1.75	2
9	VWM21.000.006	Remote Nut M12x1.75	2
10	1248	Hex Bolt M12x1.75x30 DIN 933	6
11	1003	Hex Bolt M12x1.75x35 DIN 933	8
12	3001	Hex Nut Nylock M12x1.75 DIN 985	8
13	6006	Washer 12x24 DIN 125	22
14	6005	Spring washer 12 DIN 127	6

Maximum Tightening Torques	
M12 (8.8)	85 Nm

NAME	SIGN.	DATE	Drawing number	Product Description	
			VWM26.000.000	Vehicle Manufacturer	Volkswagen
CHG.			Drawing description Side step protector Silver	Vehicle Model	Amarok
DWN.	David	15.10.17		VIN	WV1ZZZ2HZJH002816
PLN.	David	07.11.17		Year of Production	2018
CONFIRM	Dani		Catalogue number	Gear Shift	Automatic
ASFIR LTD.			523150	Motor Model	Diesel 3.0L TDI V6
			Mass, kg 31	Transmission	4x4
			Sheet	Sheets 1	