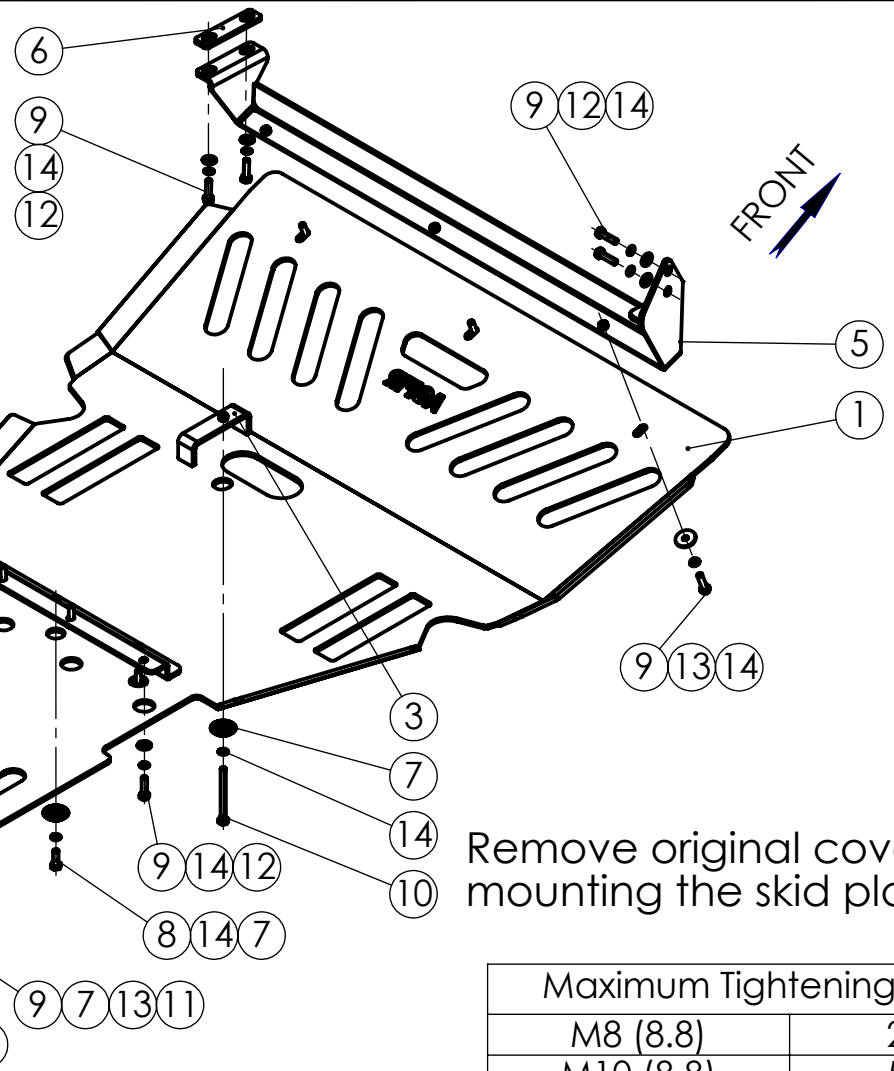


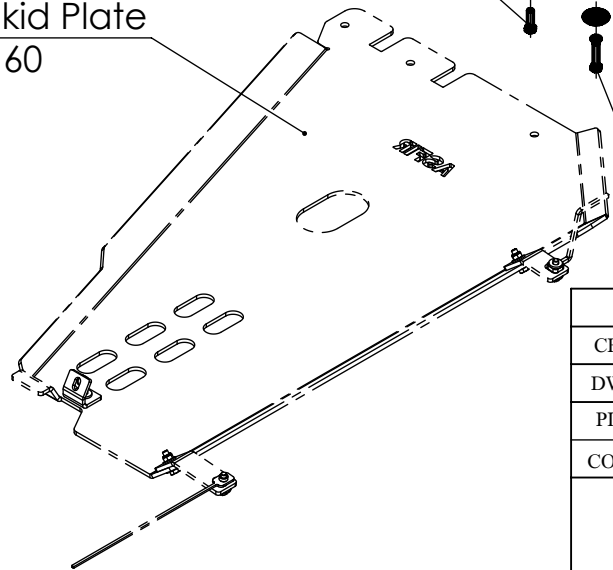
NO	PART NUMBER	DESCRIPTION	QTY
1	VWM24.000.001	Engine Gear Skid plate	1
2	VWM24.000.002	Middle Bracket	1
3	VWM24.000.003	Middle joint	1
4	VWM24.000.004	Rear joint	1
5	VWM18.000.002	Front bracket	1
6	VWM18.000.004	Plate	1
7	10858	Pocket washer 8	7
8	1168	Hex Bolt M8x25 DIN 933	3
9	1209	Hex Bolt M8x30 DIN 933	13
10	1025	Hex Bolt M8x90 DIN 931	1
11	3005	Hex Nut Nylock M8 DIN 985	2
12	6003	Washer 8x20 DIN 125	8
13	6013	Washer 8x30 DIN 9021	5
14	6001	Spring washer 8 DIN 127	16
15	1002	Hex Bolt M8x40 DIN 933	1

Confidential  
 All rights in and to this document are property of ASFIR Ltd. and reserved to it.  
 This document is forwarded to the recipient under the condition of and subject  
 to the obligation of the recipient to keep the confidentiality of its contents.  
 Copying transfer of distribution of this document or its contents and the use  
 of it not for the purpose intended are strictly forbidden.



Remove original cover before mounting the skid plate.

Transfer Skid Plate  
 P/N 523160



Maximum Tightening Torques	
M8 (8.8)	25 Nm
M10 (8.8)	50 Nm

CHG.	NAME	SIGN.	DATE	Drawing number	Product Description	
				VWM24.000.000	Vehicle Manufacturer	Volkswagen
DWN.	Slava		15.10.17	Drawing description Engine Gear Skid Plate	Vehicle Model	Amarok
PLN.	David		07.11.17		VIN	WV1ZZZ2HZJH002816
CONFIRM	Dani			Catalogue number	Year of Production	2018
<b>ASFIR LTD.</b>				523155	Gear Shift	Automatic
				Mass, kg 31.9	Motor Model	Diesel 3.0L TDI V6
				Sheet	Sheets 1	Transmission