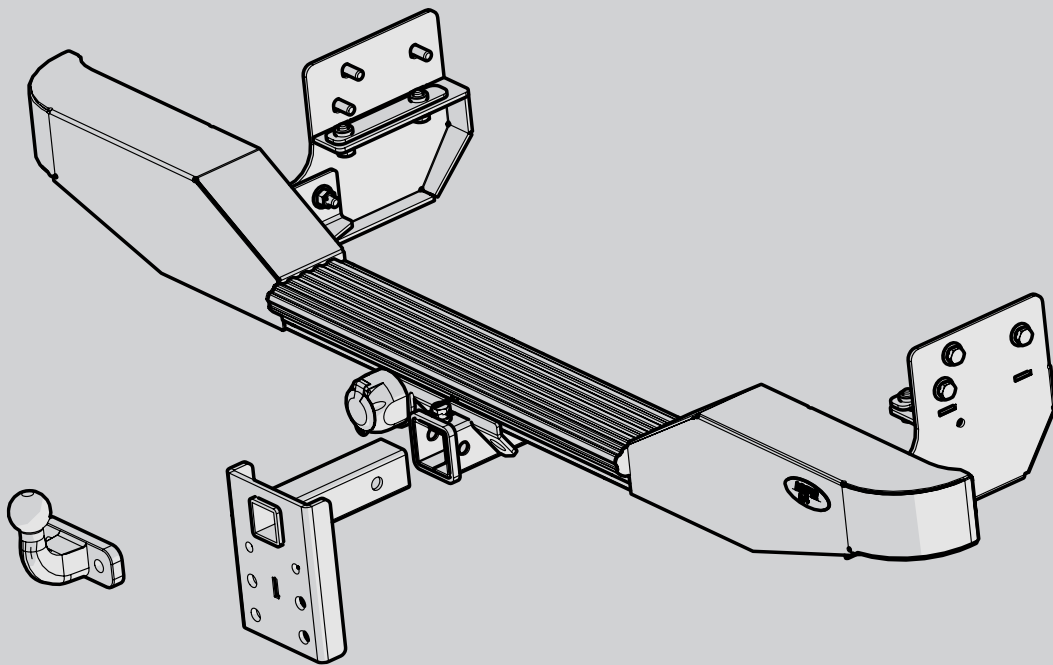
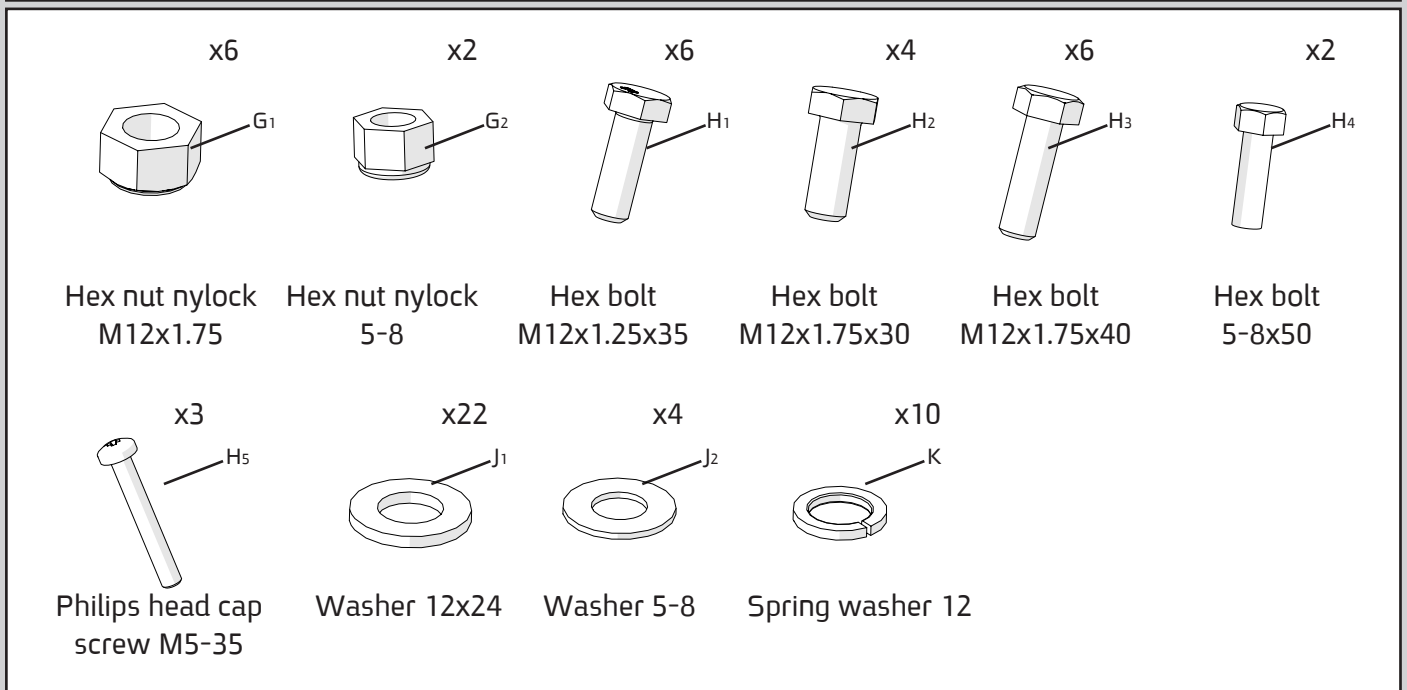
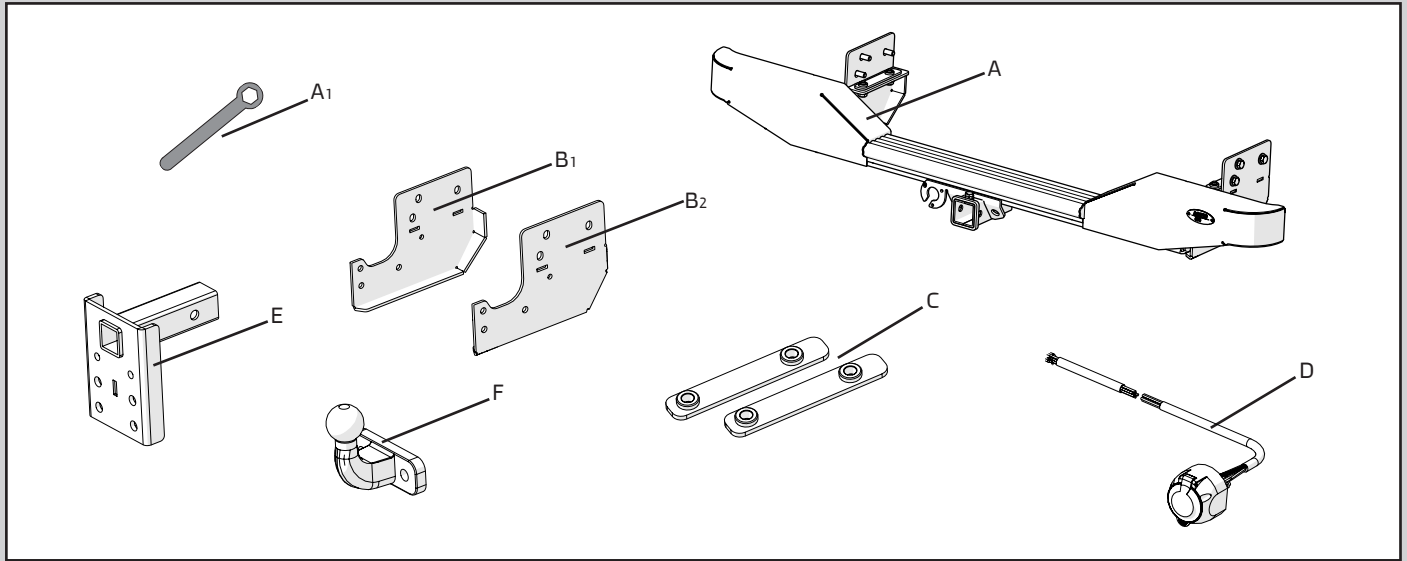


HDN Bumper

Mounting instructions

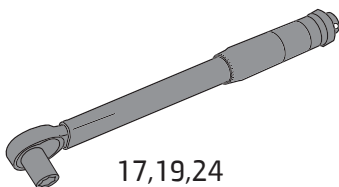
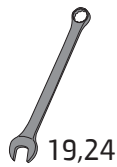
for Isuzu D-Max 2012-18

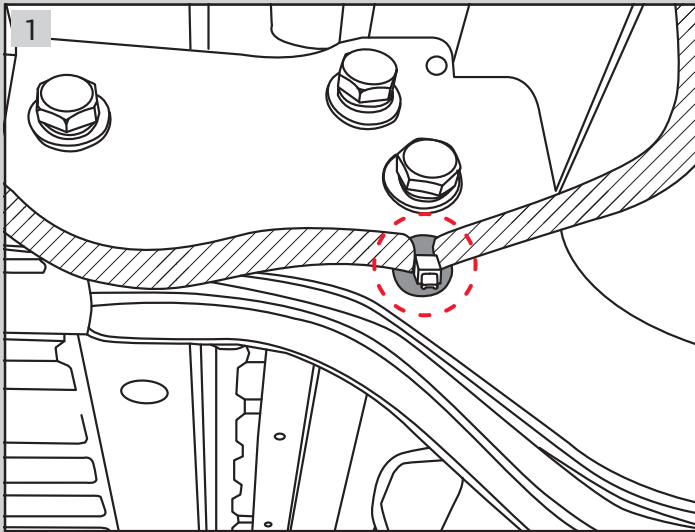




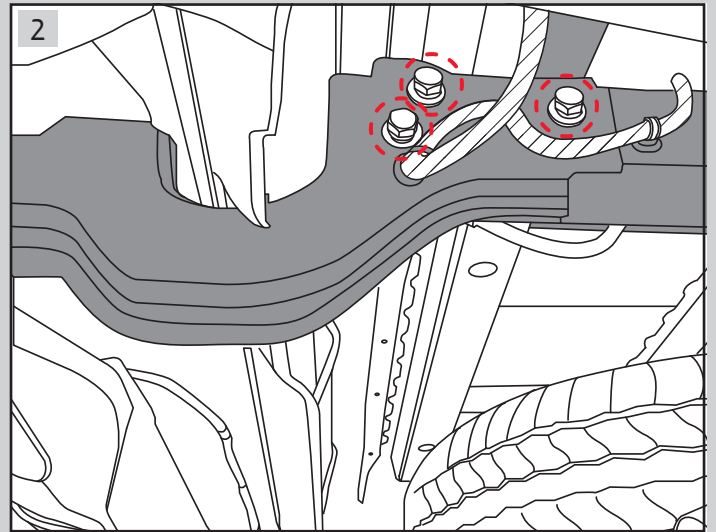
Maximum Tightening Torques

M12 (8.8)	90 Nm
USC 5/8 GR.5	175 Nm

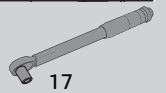




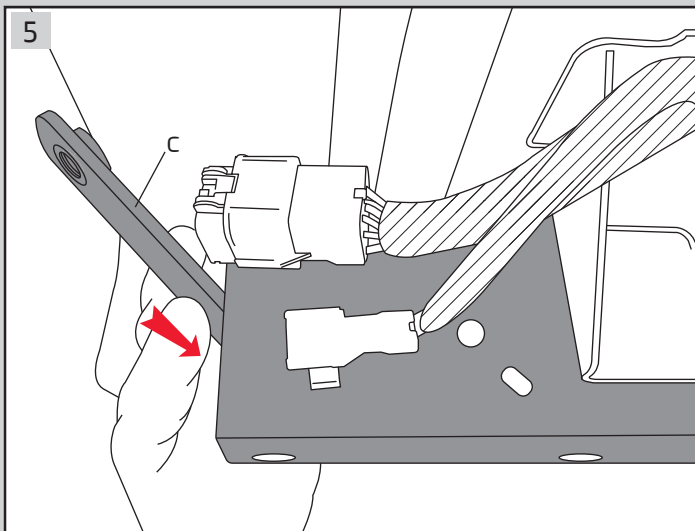
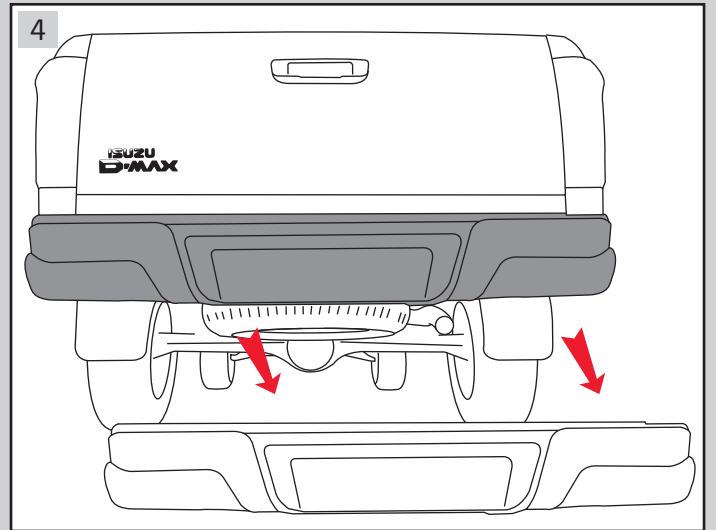
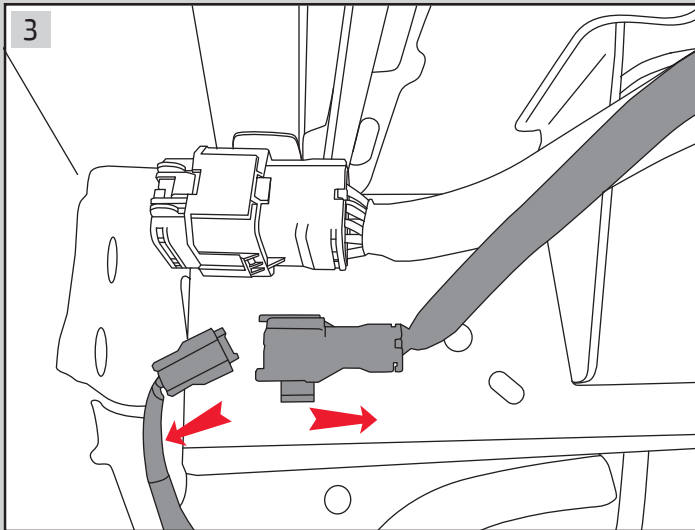
Unclip on both sides of the vehicle



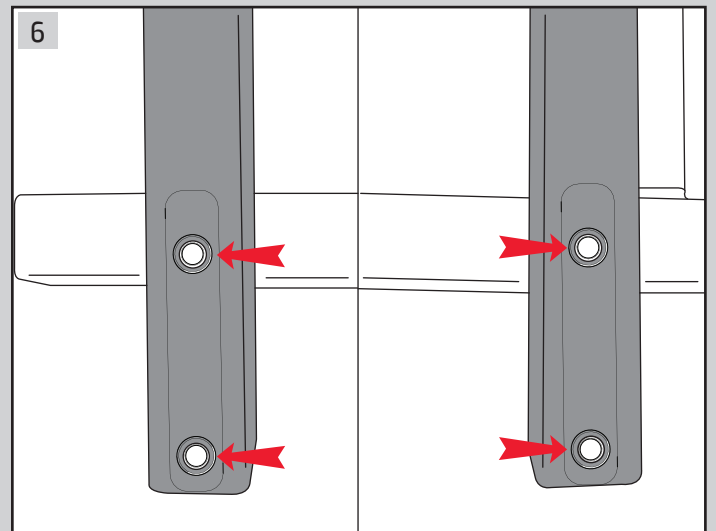
On both sides of the vehicle

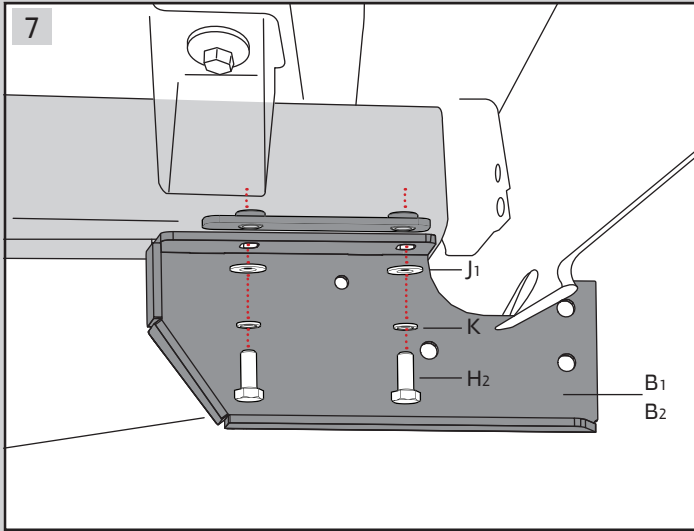


17

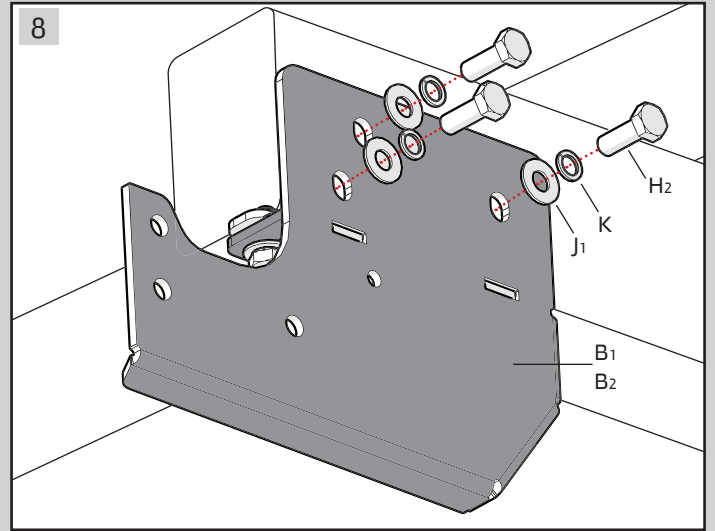


On both sides of the vehicle

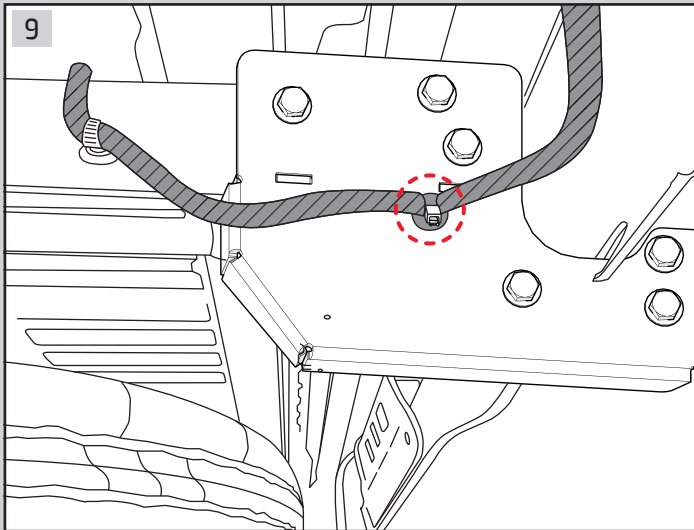




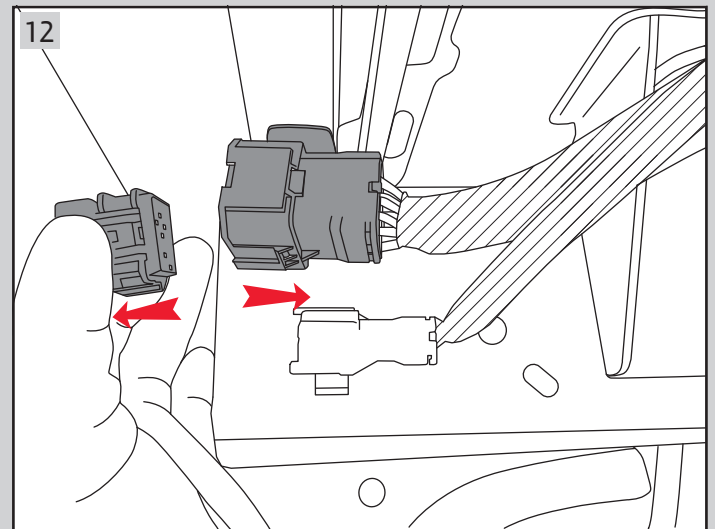
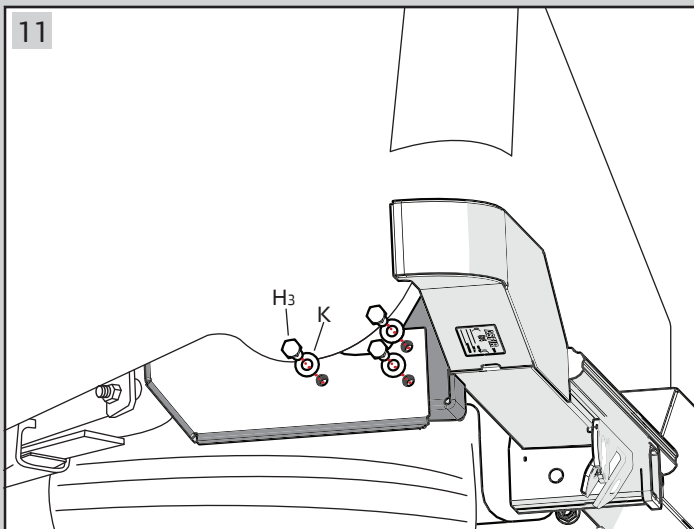
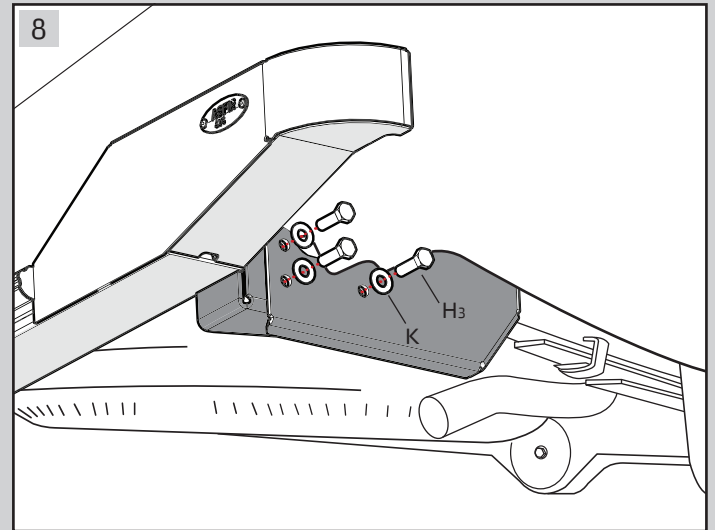
On both sides of the vehicle



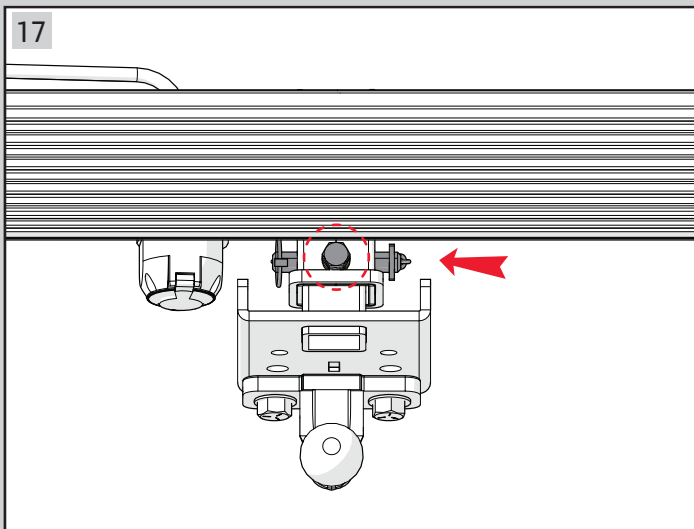
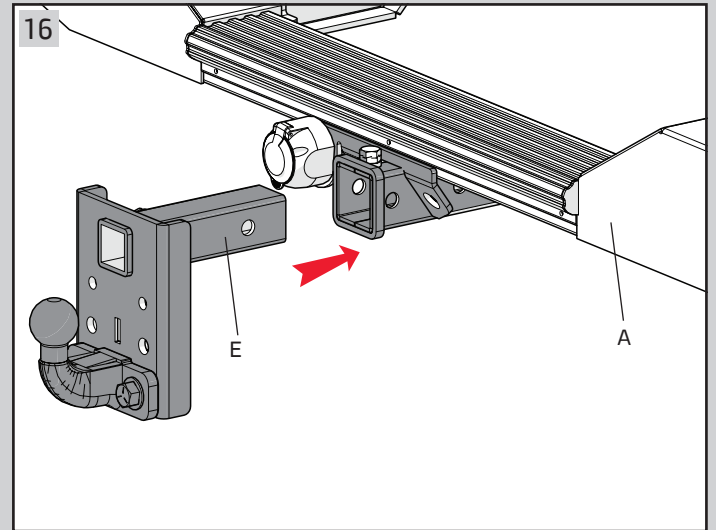
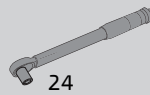
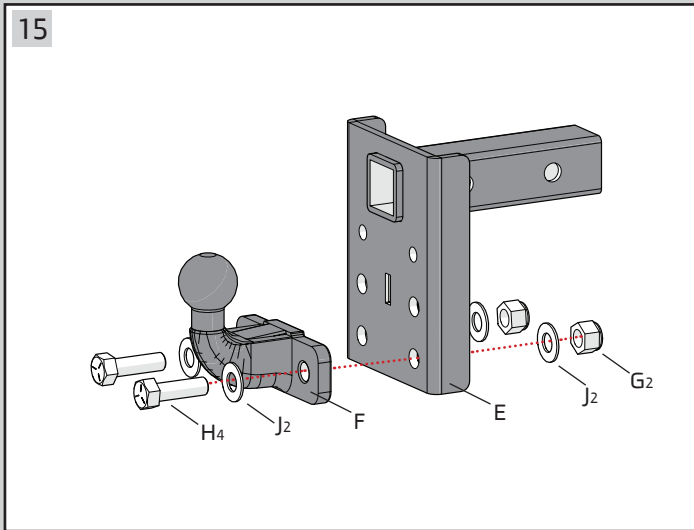
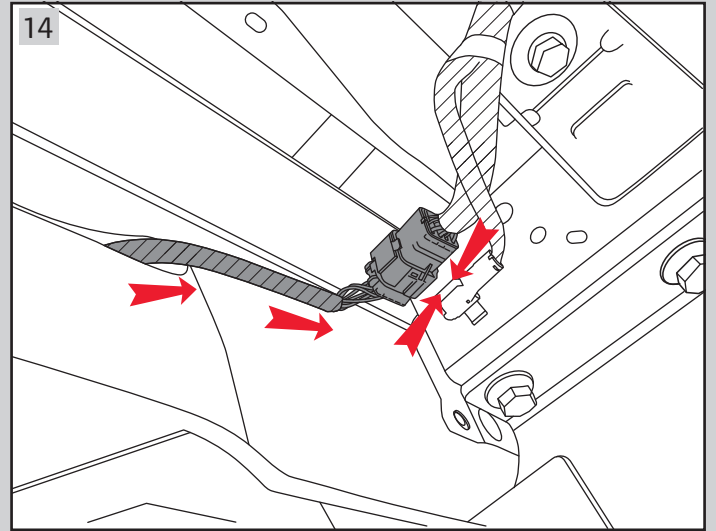
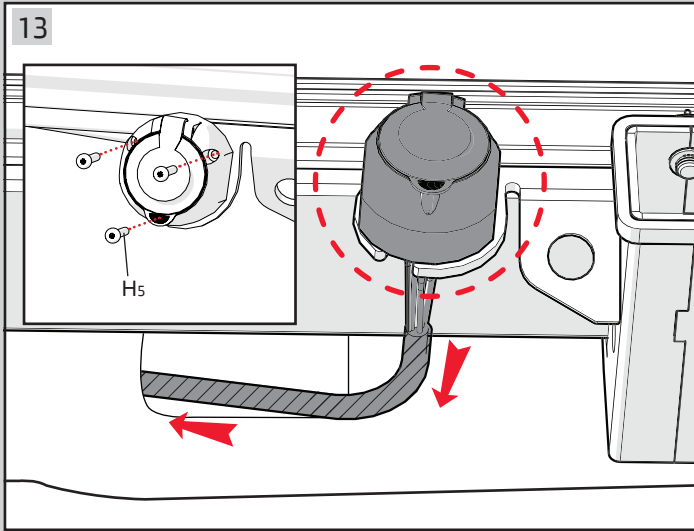
On both sides of the vehicle



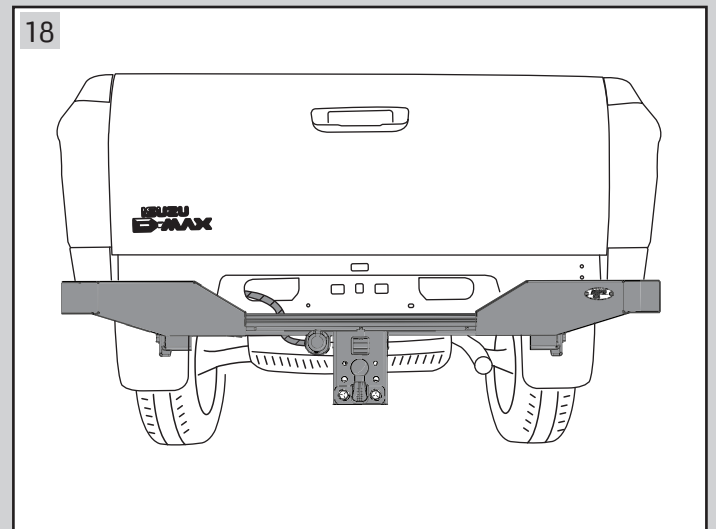
Clip back on both sides of the vehicle



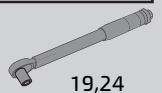
Connect the power cord to the connector according to the drawing on page 6



Tighten before each use

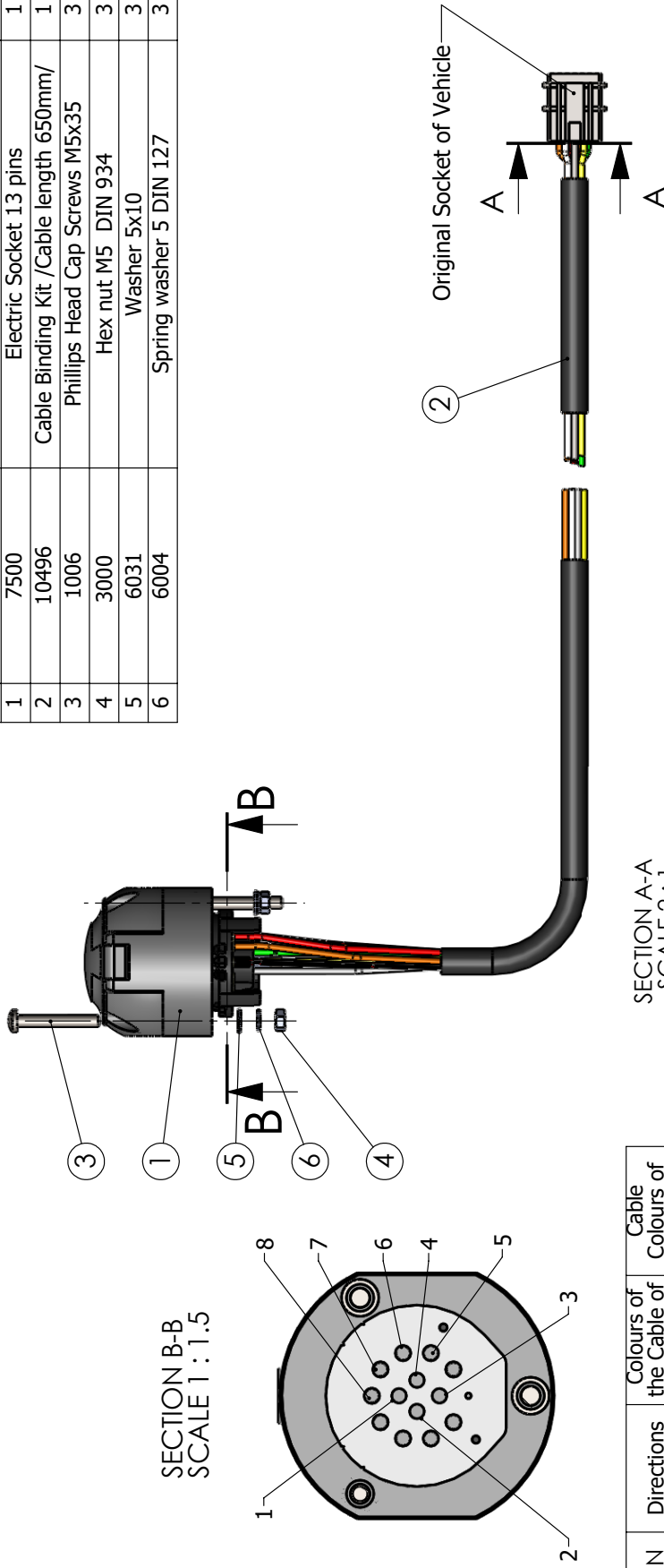


Tighten all bolts

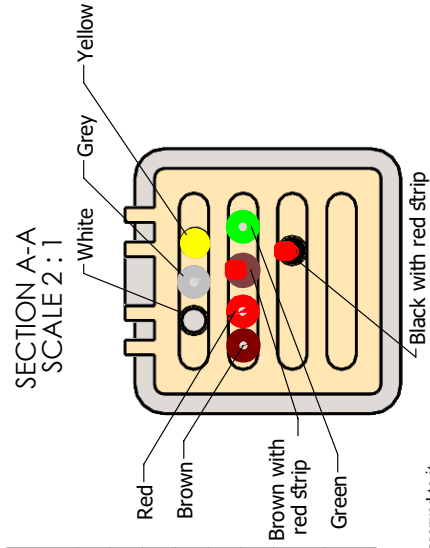


19,24

NO	CATALOGUE NUMBER	DESCRIPTION	QTY
1	7500	Electric Socket 13 pins	1
2	10496	Cable Binding Kit / Cable length 650mm/	1
3	1006	Phillips Head Cap Screws M5x35	3
4	3000	Hex nut M5 DIN 934	3
5	6031	Washer 5x10	3
6	6004	Spring washer 5 DIN 127	3



N	Directions	Colours of the Cable of the Binding Kit	Cable Colours of the Car
1	BLINKING LEFT	Yellow	Yellow
2	FOG	Grey	Grey
3	MINUS	White	Black
4	BLINKING RIGHT	Green	Green
5	PARKING LIGHT RIGHT	Brown	Brown
6	STOP	Red	Red
7	PARKING LEFT	Brown with red strip	Brown with red strip
8	REVERSE	Black with red strip	Black with red strip



Confidential
All rights in and to this document are property of ASFIR Ltd and reserved to it. This document is forwarded to the recipient under the condition of and subject to the obligation of the recipient to keep the confidentiality of its contents. Copying, transfer or distribution of this document or its contents and the use of it not for the purpose intended are strictly forbidden.