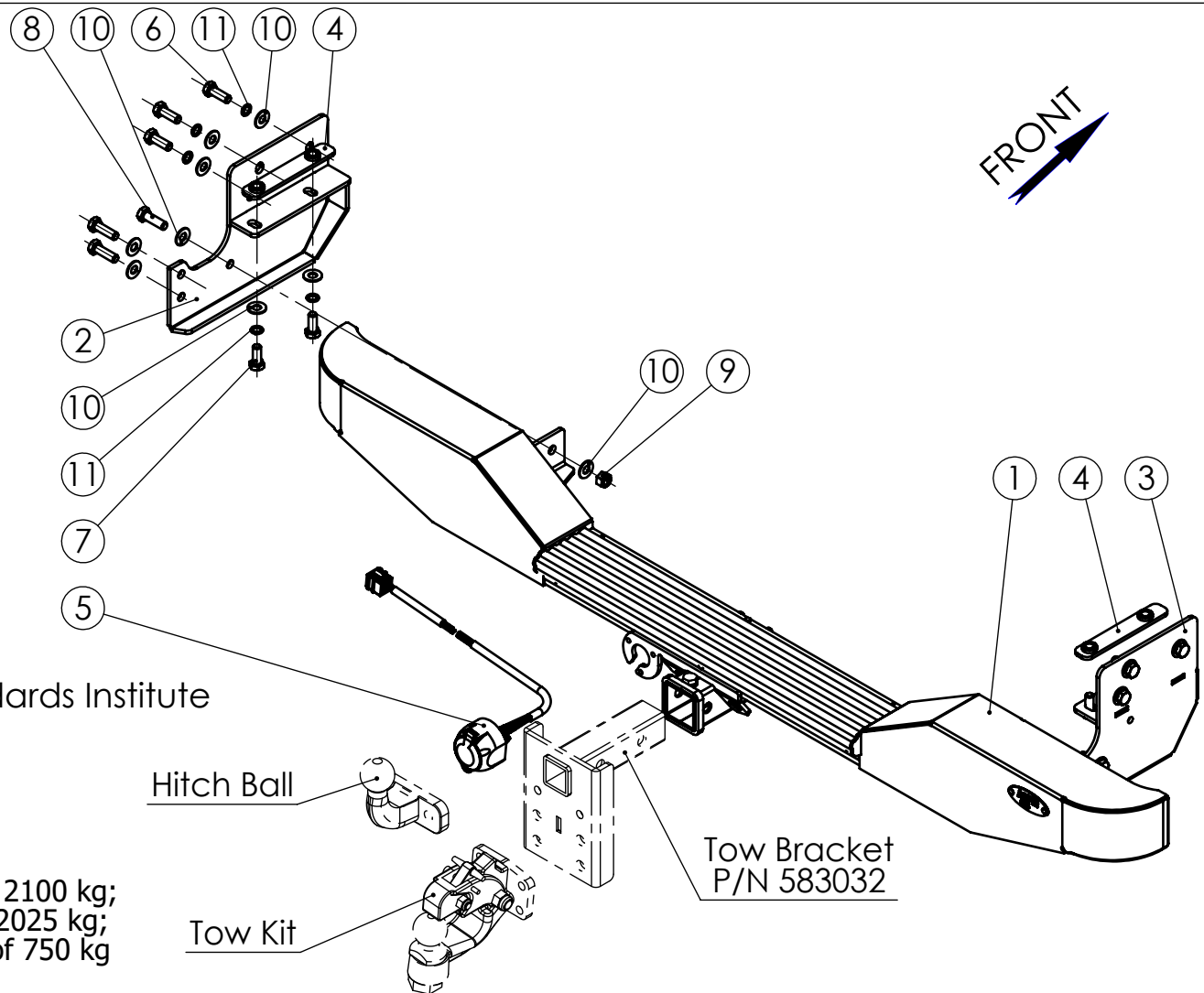


NO.	PART NUMBER	DESCRIPTION	QTY.
1	ISW57.100.000C	HDN Bumper	1
2	ISW51.020.000	Left bracket	1
3	ISW51.030.000	Right bracket	1
4	ISW51.000.001	Flat	2
5	ISW51.100.000	Electric Connection	1
6	1033	Hex Bolt M12x1.25x35 DIN 961	6
7	1248	Hex Bolt M12x1.75x30 DIN 933	4
8	1004	Hex Bolt M12x1.75x40 DIN 933	6
9	3001	Hex Nut Nylock M12x1.75 DIN 985	6
10	6006	Washer 12x24 DIN 125	22
11	6005	Spring washer 12 DIN 127	10



Registration Licensing N:9413201808 Standards Institute from date 26.01.2014.

BEFORE MOUNTING REMOVE ORIGINAL BUMPER.

THE TOW BAR APPROVED:

- for transmission 4x4 with brakes towing weight of 2100 kg;
- for transmission 4x2 with brakes towing weight of 2025 kg;
- for all transmissions without brakes towing weight of 750 kg

Maximum Tightening Torques

M12 (8.8)	90 Nm
-----------	-------

Confidential
All rights in and to this document are property of ASFIR Ltd. and reserved to it. This document is forwarded to the recipient under the condition of and subject to the obligation of the recipient to keep the confidentiality of its contents. Copying, transfer or distribution of this document or its contents and the use of it not for the purpose intended-are strictly forbidden.

	NAME	SIGN.	DATE
CHG.	Slava		06.03.17
DWN.	Slava		30.10.12
CHDK.	David		06.03.17
CONFIRM	Dani		

ASFIR LTD.

Drawing number		Product Description	
ISW57.000.000C		Vehicle Manuf.	ISUZU
Drawing description		Vehicle Model	D-MAX
HDN BUMPER		Vehicle Version	Double Cab
Catalogue number		VIN	MPATFS87JHT001916
530132		Year of Product.	2012 - 2017
Weight,kg 32		Gear Shift	AUTOMATIC/MANUAL
		Motor Model	DIESEL 2.5TD / 1.9TD
		Transmission	4X2, 4X4