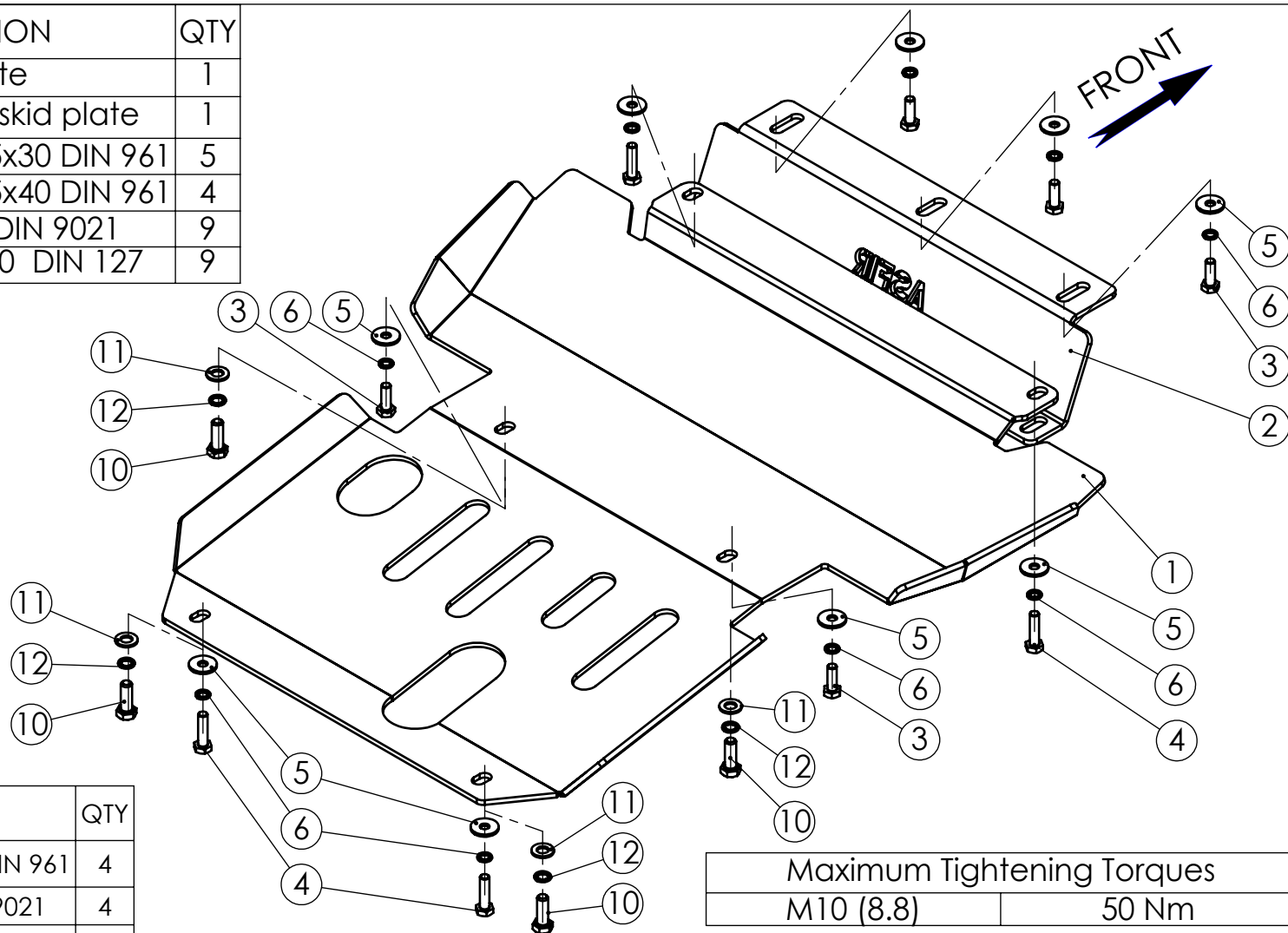


NO	PART NUMBER	DESCRIPTION	QTY
1	ISM31.000.002	Skid plate	1
2	ISM31.000.003	Supplement to skid plate	1
3	1021	Hex Bolt M10x1.25x30 DIN 961	5
4	1022	Hex Bolt M10x1.25x40 DIN 961	4
5	6010	Washer 10x30 DIN 9021	9
6	6008	Spring washer 10 DIN 127	9



OPTION

NO	PART NUMBER	DESCRIPTION	QTY
10	1033	Hex Bolt M12x1.25x35 DIN 961	4
11	6014	Washer 12x27 DIN 9021	4
12	6009	Spring washer 12 DIN 127	4

Maximum Tightening Torques	
M10 (8.8)	50 Nm

	NAME	SIGN.	DATE
CHG.	Slava		05.03.17
DWN.	Slava		13.06.12
PLN.	David		05.03.17
CONF.	Dani		

ASFIR LTD.

Drawing number		Product Description	
ISM31.000.000		Vehicle Manuf.	ISUZU
Drawing description		Vehicle Model	D-MAX
Front skid plate		Vehicle Version	Double Cab
Catalogue number		VIN	MPATFS87JHT001916
530155		Year of Product.	2012-2017
Weight,kg 10.8		Gear Shift	AUTOMATIC/MANUAL
		Motor Model	DIESEL 2.5TD / 1.9TD
		Transmission	4X4

Confidential
 All rights in and to this document are property of ASFIR Ltd. and reserved to it.
 This document is forwarded to the recipient under the condition of and subject
 to the obligation of the recipient to keep the confidentiality of its contents.
 Copying transfer of distribution of this document or its contents and the use
 of it not for the purpose intended-are strictly forbidden.