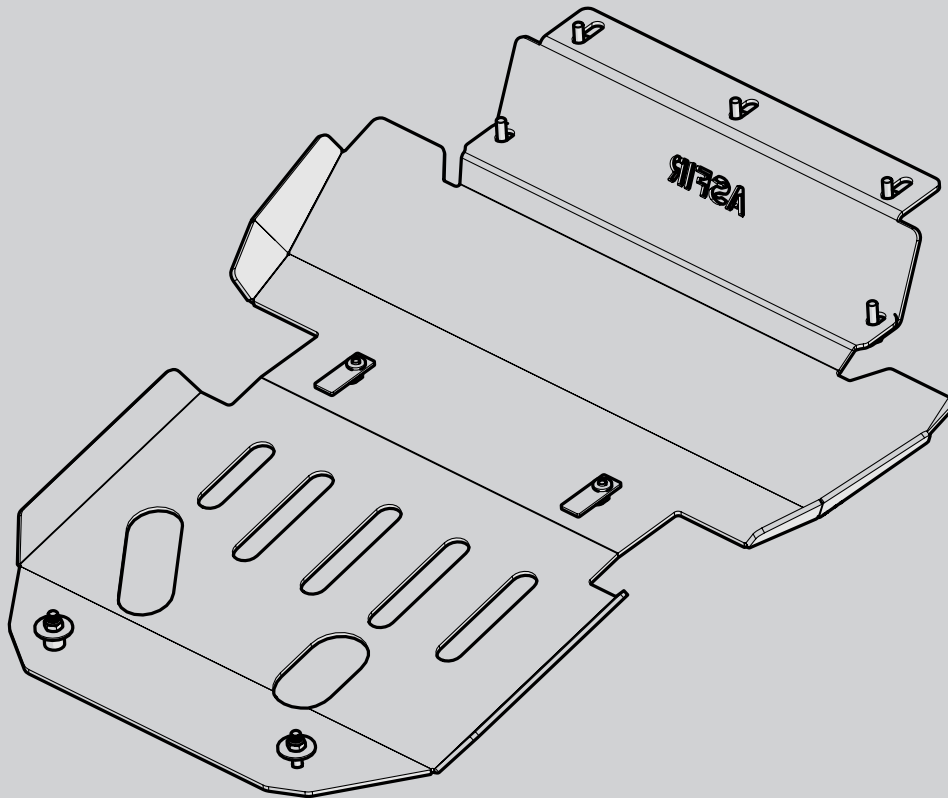


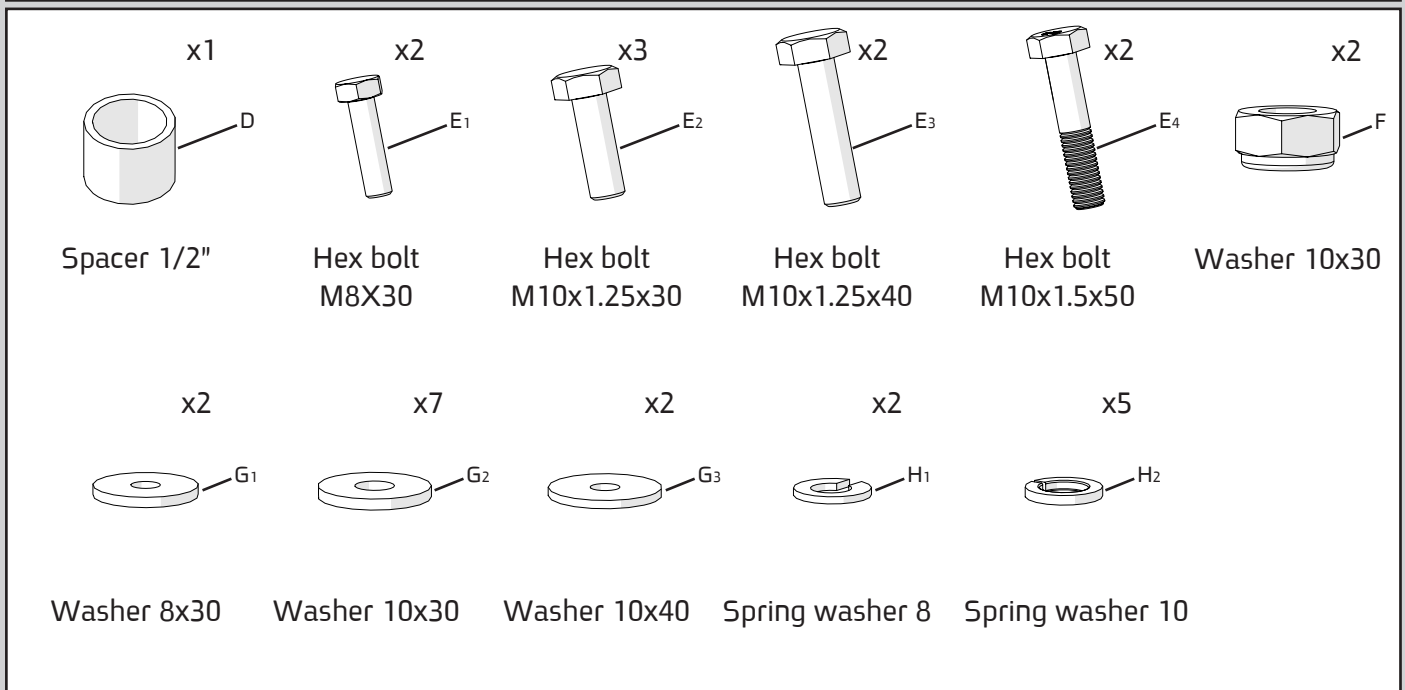
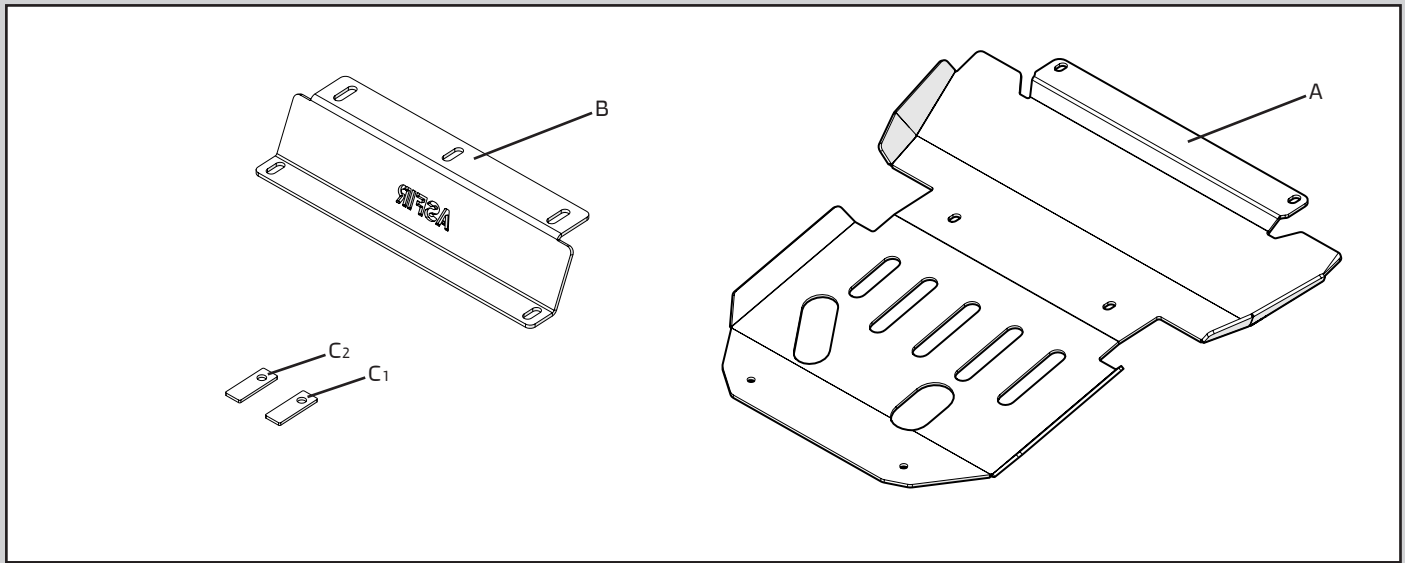
Front skid plate

Mounting instructions

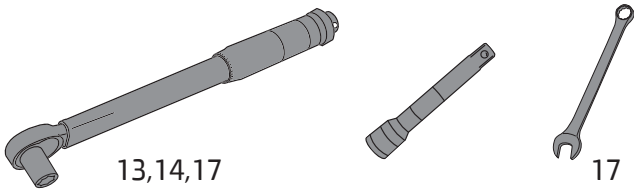
for Isuzu D-Max 2x4

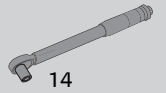
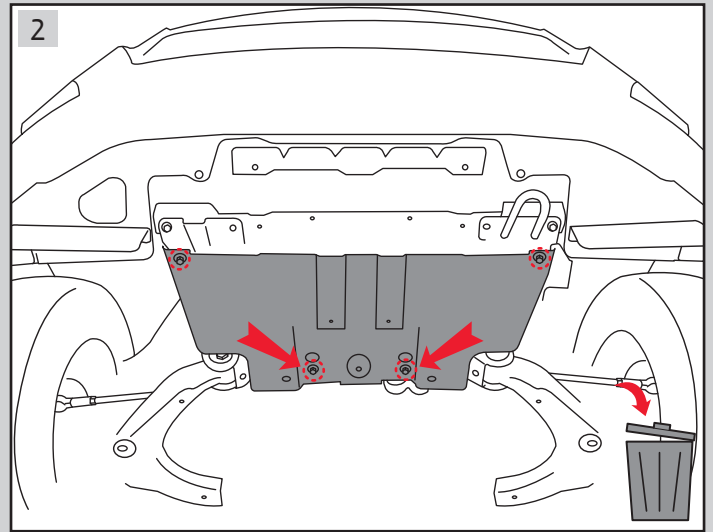
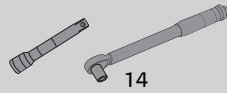
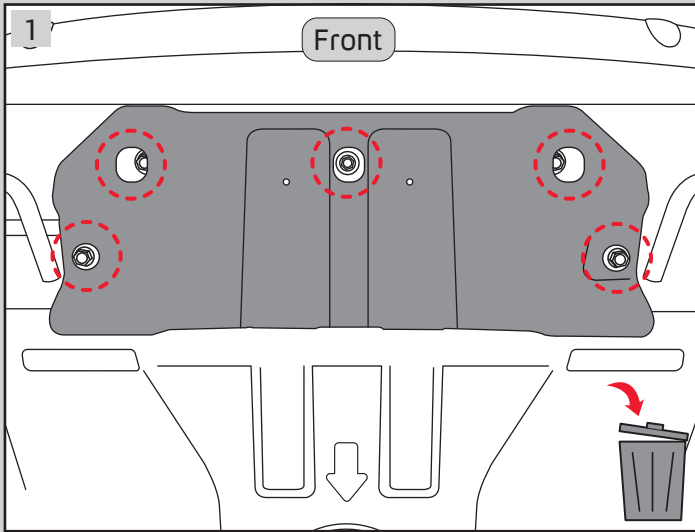
2012+



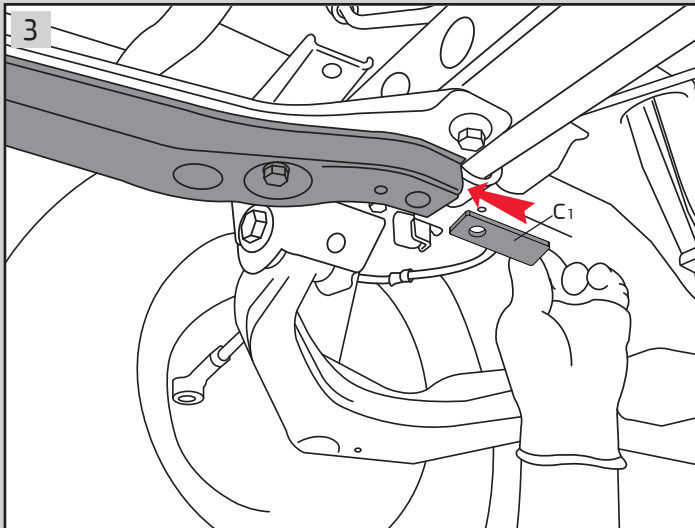


Maximum Tightening Torques	
M8 (8.8)	25 Nm
M10 (8.8)	50 Nm

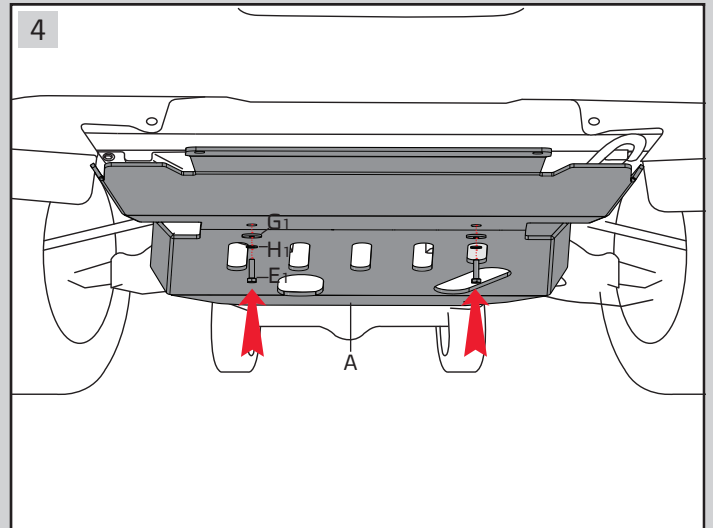




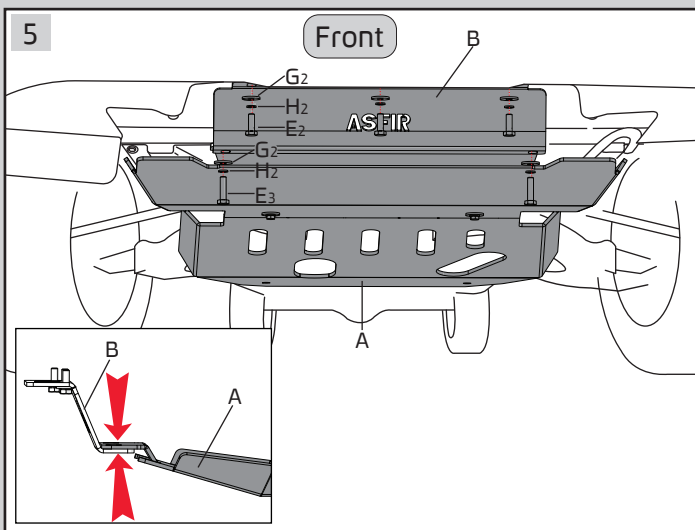
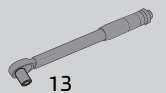
After removing the original skid plate reassemble the bolts (as marked)



On the left side of the vehicle insert bracket C2



Screw bolts via the skid plate into brackets C1 and C2 that are inside the chassis



Screw bolts into original holes

