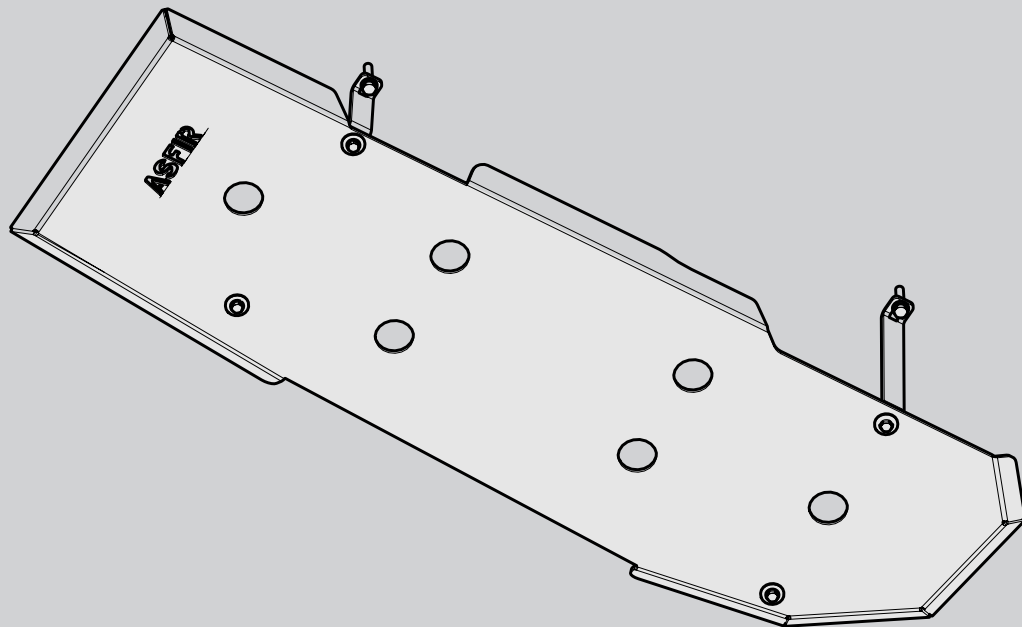


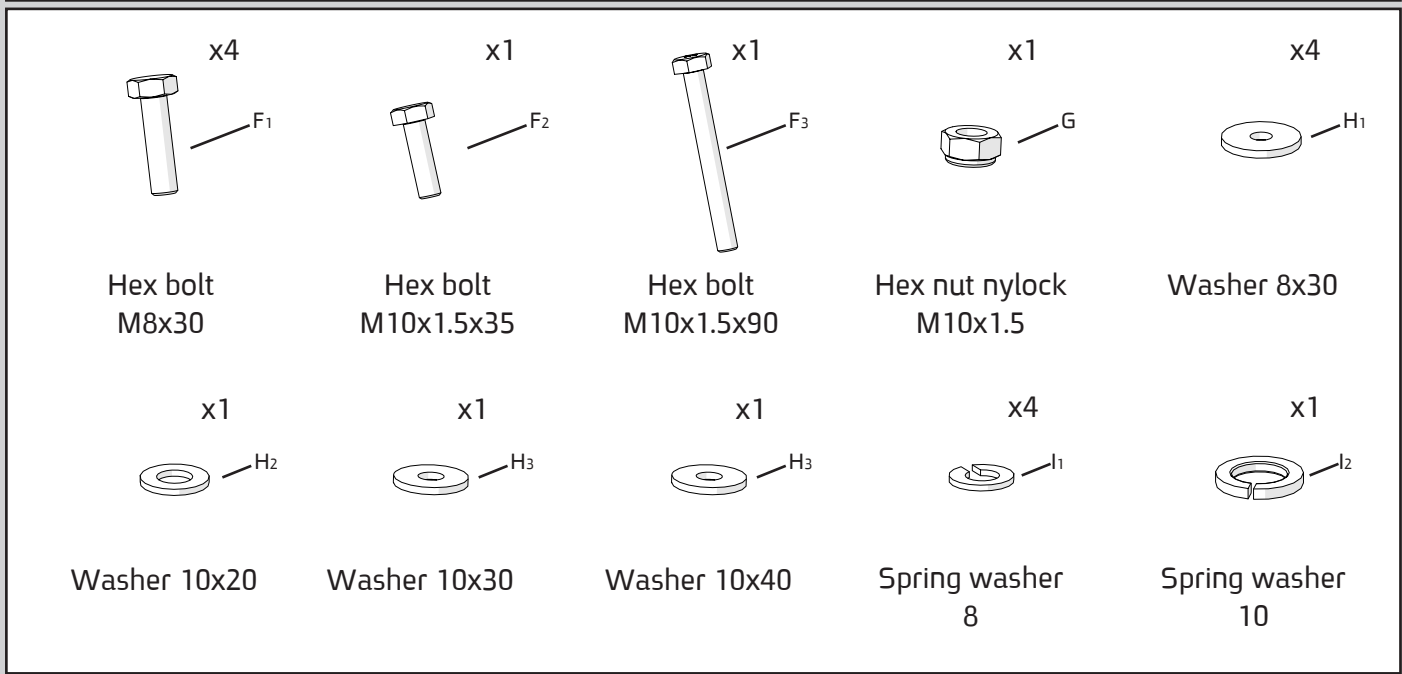
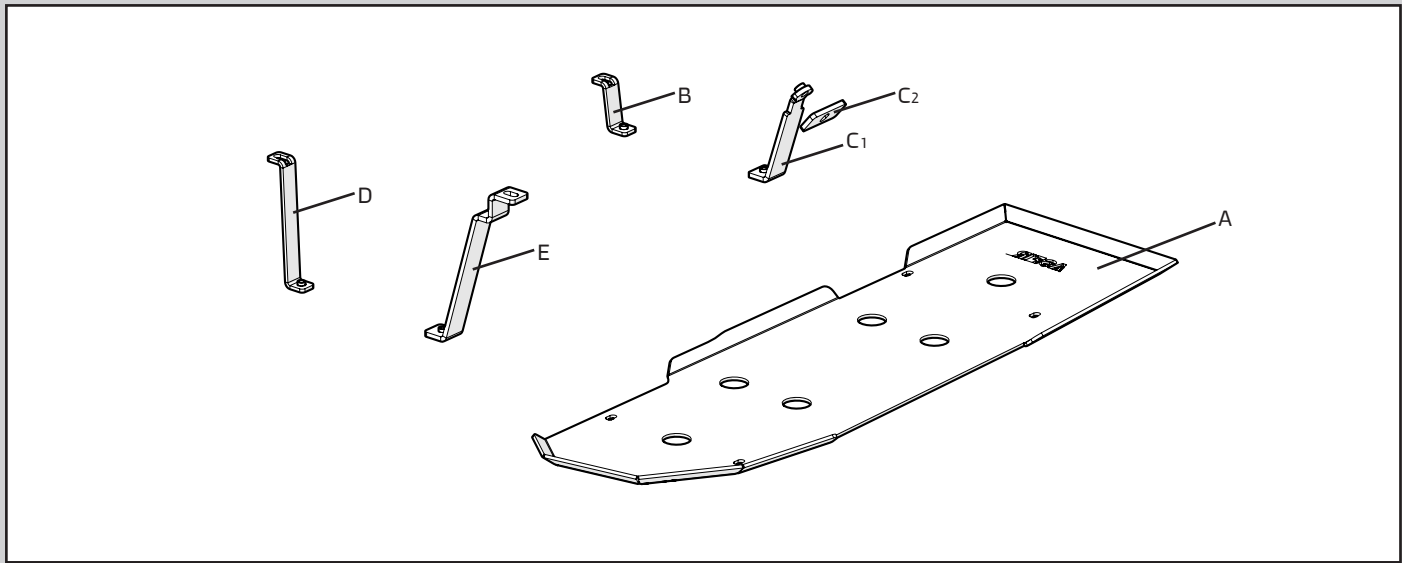
Fuel skid plate

Mounting instructions

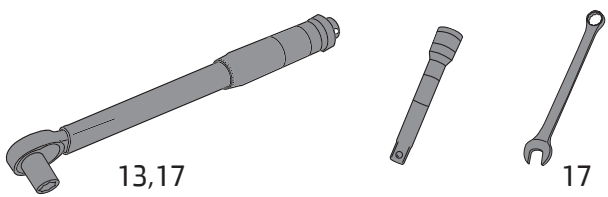
for Isuzu D-Max 2x4/4x4

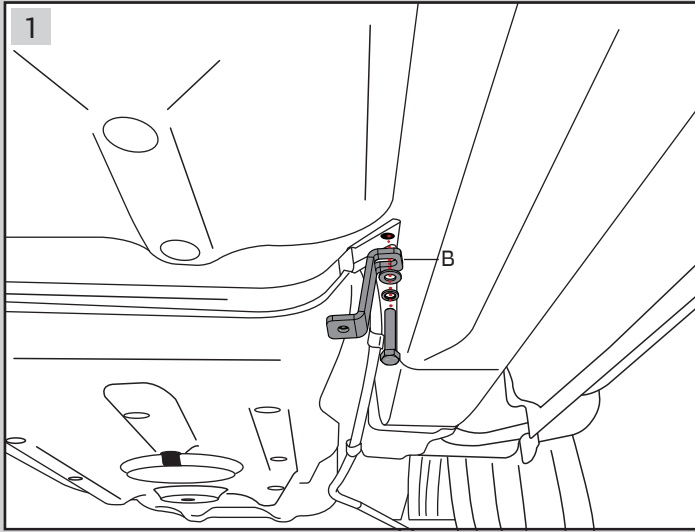
2012+



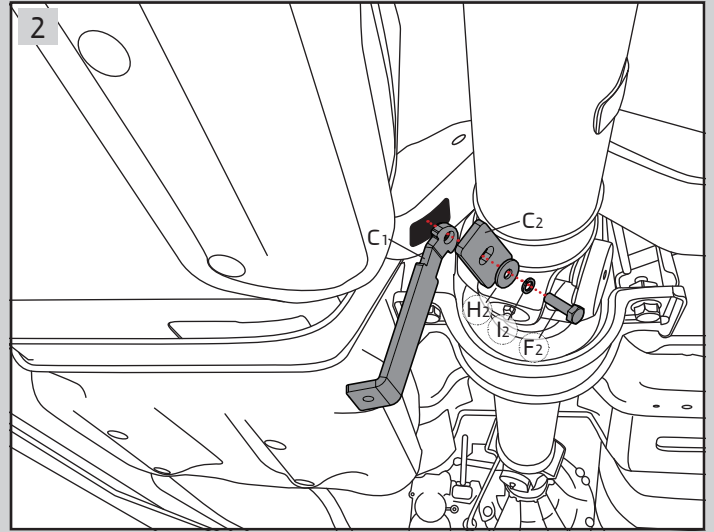
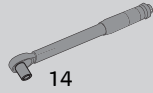


Maximum Tightening Torques	
M8(8.8)	25Nm
M10(8.8)	50 Nm

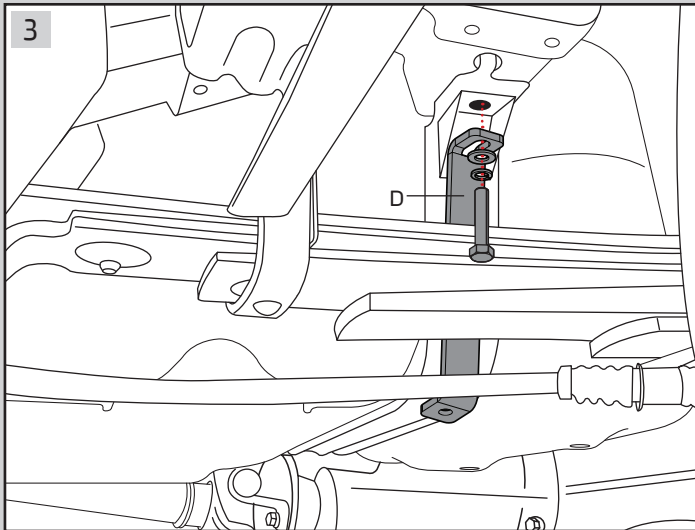
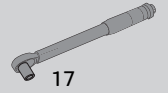




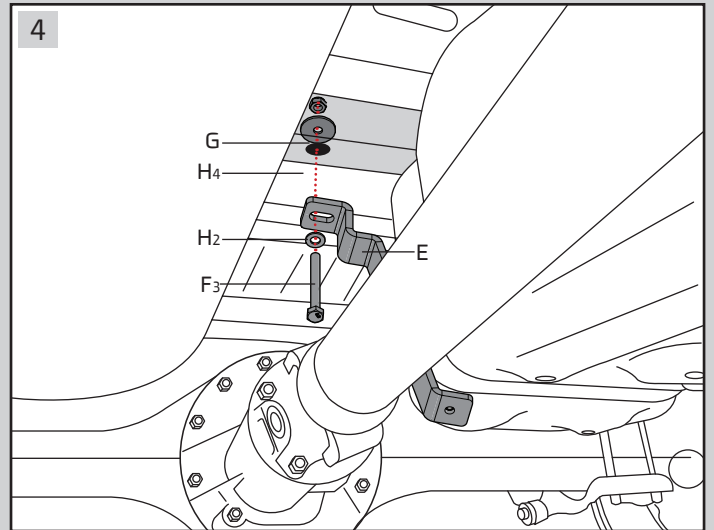
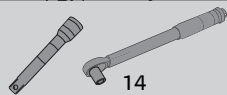
1
Front left side bracket (B)
Use original bolt



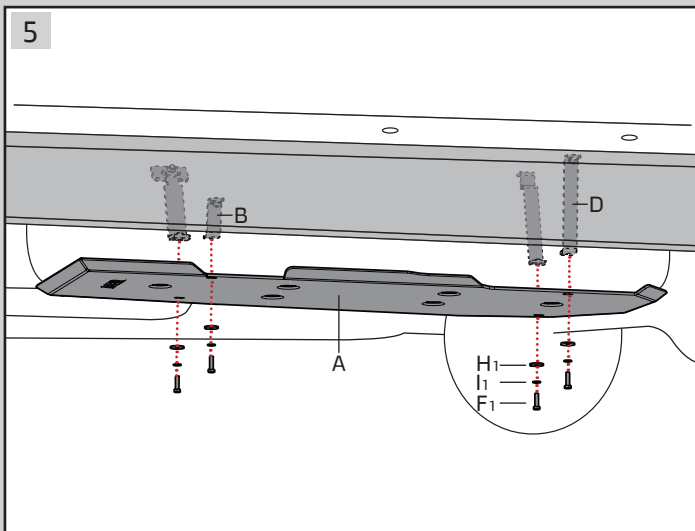
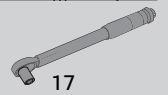
2
Front right side bracket (C)



3
Back left side bracket (D)
Use original bolt



4
back right side bracket (E)



5
Tighten all bolts

