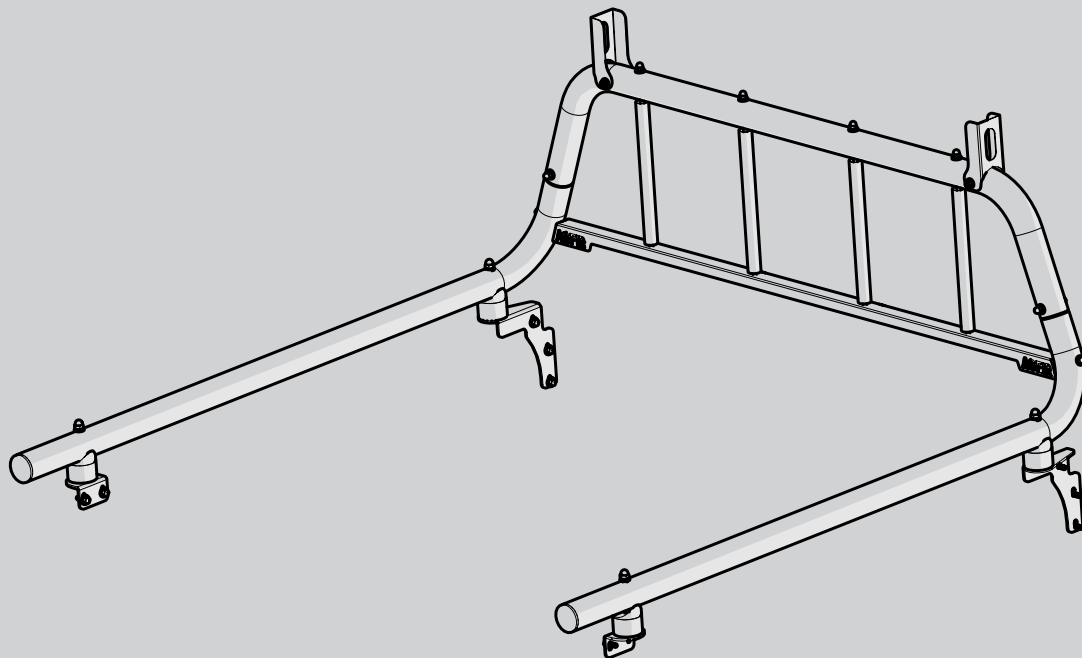
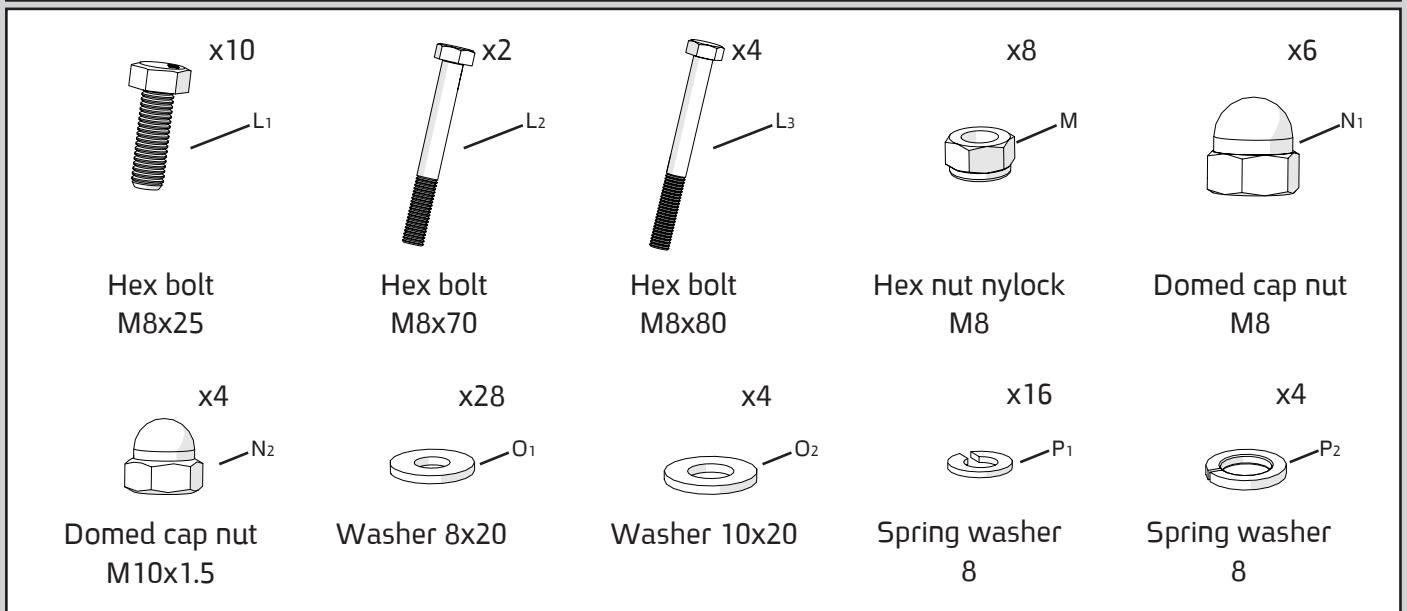
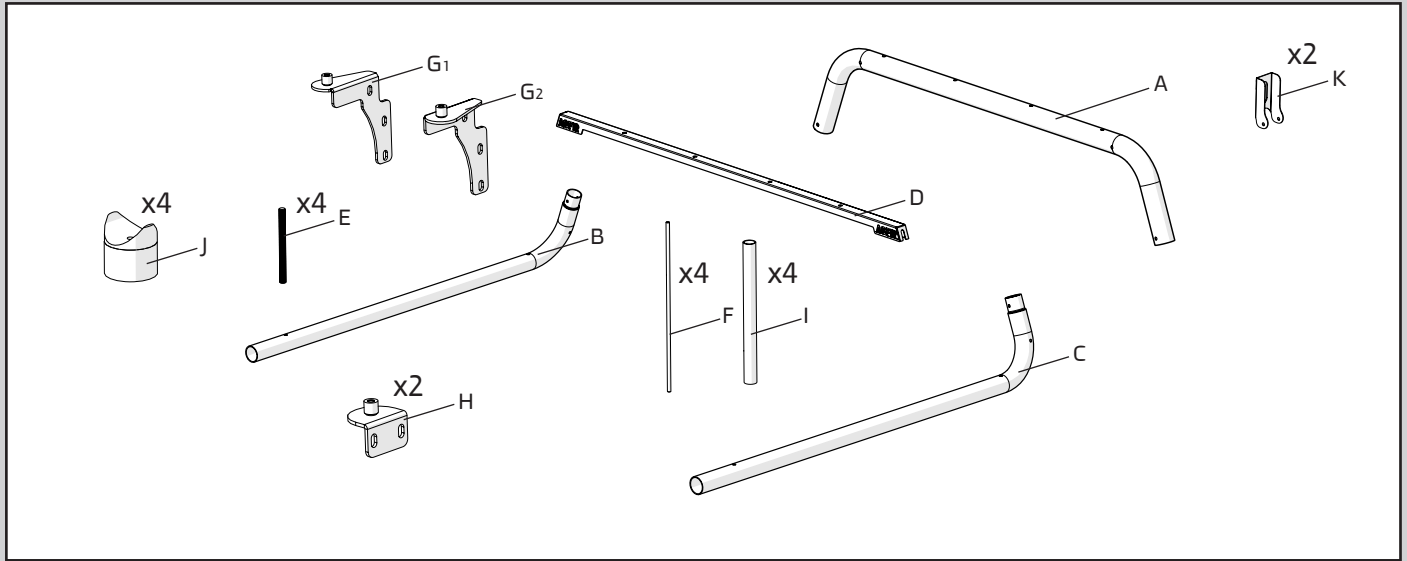


Utility rack

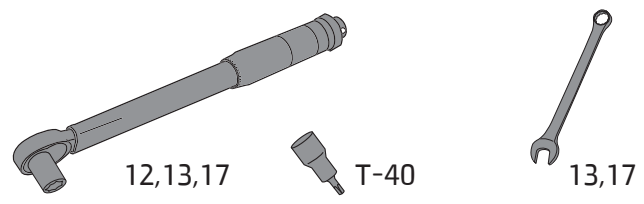
Mounting instructions

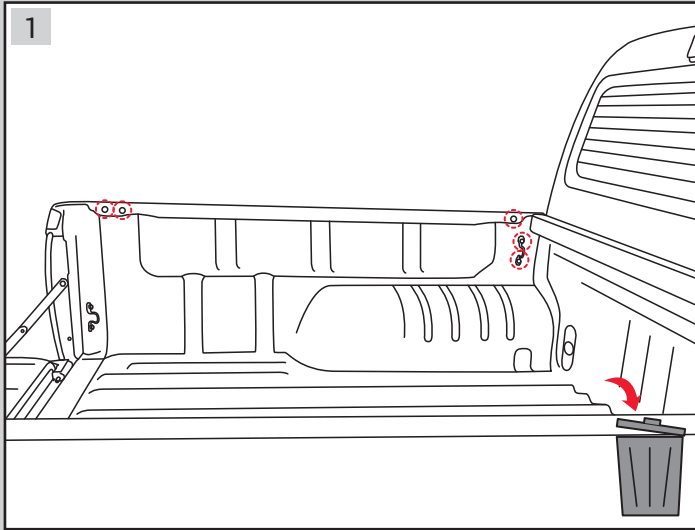
for Isuzu D-Max



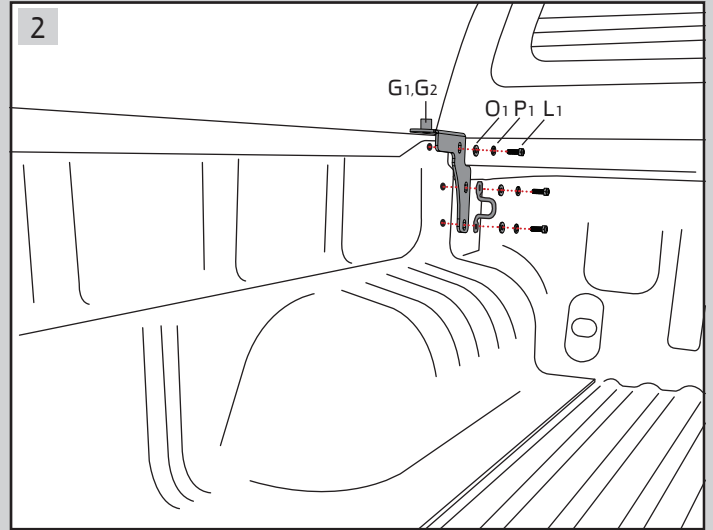
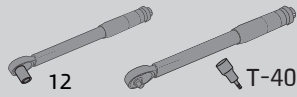


Maximum Tightening Torques	
M8(8.8)	25Nm

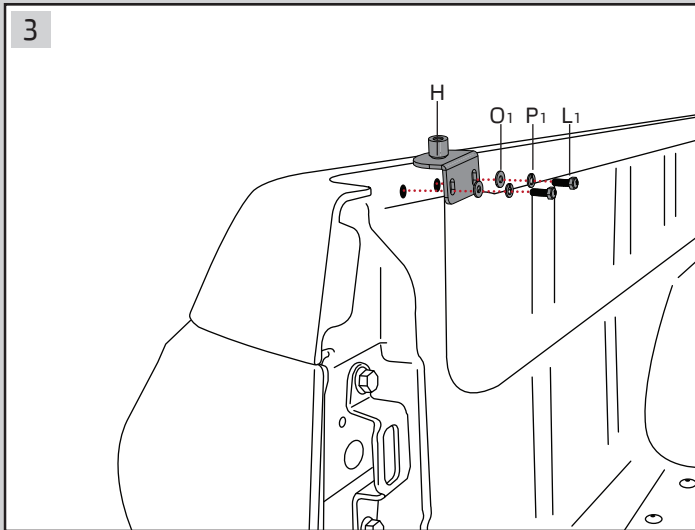
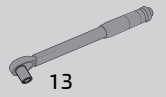




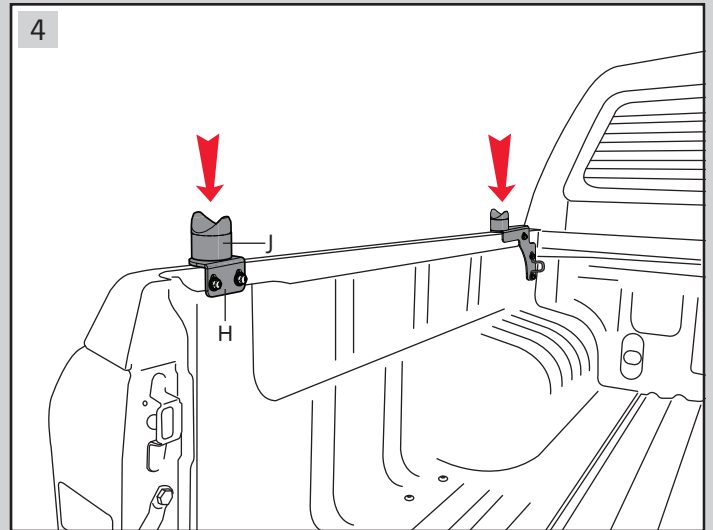
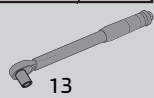
On both sides of the vehicle



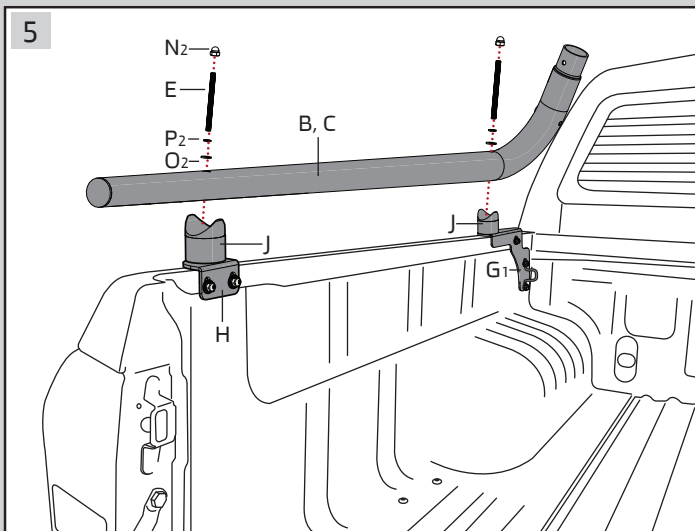
On both sides of the vehicle



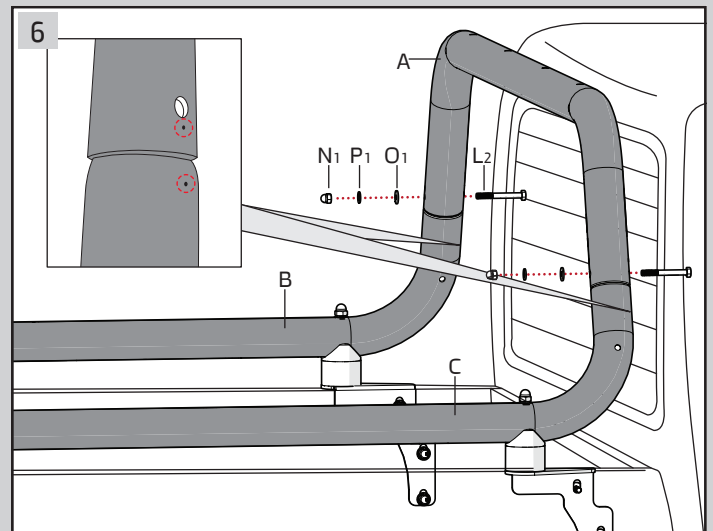
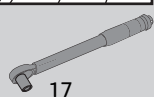
On both sides of the vehicle



On both sides of the vehicle



On both sides of the vehicle



Marks must face the front of the vehicle.
Insert the bolts (L6) before placing the central bar (A)

