


NO.	PART NUMBER	DESCRIPTION	QTY.
1	TYW67.100.000A	Bumper	1
2	TYW51.020.000	Winch plate	1
3	TYW67.000.003L	Left plug	1
4	TYW67.000.003R	Right plug	1
5	TYW51.000.004L	Left bracket	1
6	TYW51.000.004R	Right bracket	1
7	TYW51.000.002	Cover for water container	1
8	TYW51.000.005	Plate	1
9	TYW51.000.008	Spacer	4
10	TYW51.000.009L	Left bracket	1
11	TYW51.000.009R	Right bracket	1
12	TYW51.000.012	Right Bracket	1
13	TYW45.000.001	Left bumper holder	1
14	TYW45.000.001R	Right bumper holder	1
15	TYW67.000.001	Lower skid plate	1
16	TYW67.000.011	Grill joint	1
17	TYW45.000.007	Adaptor to switch	1
18	TYW67.020.000R	Right bracket	1
19	TYW67.020.000L	Left bracket	1
20	TYW67.000.002R	Righ joint	1
21	TYW67.000.002L	Left joint	1
22	HUW06.000.004	Solonoid holder	1
23	NSW12.000.003	Closing plate	1
24	917503	Led Work Light 4 inch 20W Sammoon	2
25	1098	Button Head Socket Cap Screw M4x16 DIN 7985	2
26	1212	Flat socket head cap pillips screw M6x25 DIN 965	1
27	1133	Hex Bolt M6x16 DIN 933	2
28	1104	Hex Bolt M6x20 DIN 933	9
29	1167	Hex Bolt M6x25 DIN 933	3
30	1161	Hex Bolt M8x20 DIN 933	4
31	1168	Hex Bolt M8x25 DIN 933	4
32	1000	Hex Bolt M8x35 DIN 933	3
33	1048	Hex Bolt M10x1.5x25 DIN 933	2
34	1072	Hex Bolt M10x1.5x40 DIN 933	4
35	1029	Socket Head Cap Screw M10x1.5x25 DIN 912	2
36	1032	Hex Bolt M12x1.75x45 DIN 931	4
37	1049	Hex Bolt M12x1.25x30 DIN 961	2
38	1079	Hex Bolt M12x1.75x90 DIN 931	2
39	1028	Hex Bolt M12x1.75x100 DIN 931	2

NO.	PART NUMBER	DESCRIPTION	QTY.
40	3039	Hex Nut Nylock M4 DIN 985	2
41	3035	Wing nut M6 DIN 315	1
42	3019	Hex Nut M6 DIN 934	1
43	3006	Hex Nut Nylock M6 DIN 985	12
44	3005	Hex Nut Nylock M8 DIN 985	5
45	3020	Hex Nut Nylock M10x1.5 DIN 985	6
46	3001	Hex Nut Nylock M12x1.75 DIN 985	8
47	6145	Washer 4x9 DIN125	2
48	6018	Washer 6x16x1.6	19
49	6084	Washer 6x30	3
50	6003	Washer 8x20 DIN 125	10
51	6000	Washer 8x24 DIN 9021	6
52	6023	Washer 10x20 DIN125	14
53	6006	Washer 12x24 DIN 125	16
54	6039	Washer 12x37 DIN 9021	2
55	6009	Spring washer 6 DIN 127	2
56	6001	Spring washer 8 DIN 127	6
57	6008	Spring washer 10 DIN 127	2
58	6005	Spring washer 12 DIN 127	2
60	6942	 Rubber seal L=800	2

ASFIR LTD.

Drawing number

TYW67.000.000A

Sheet 2

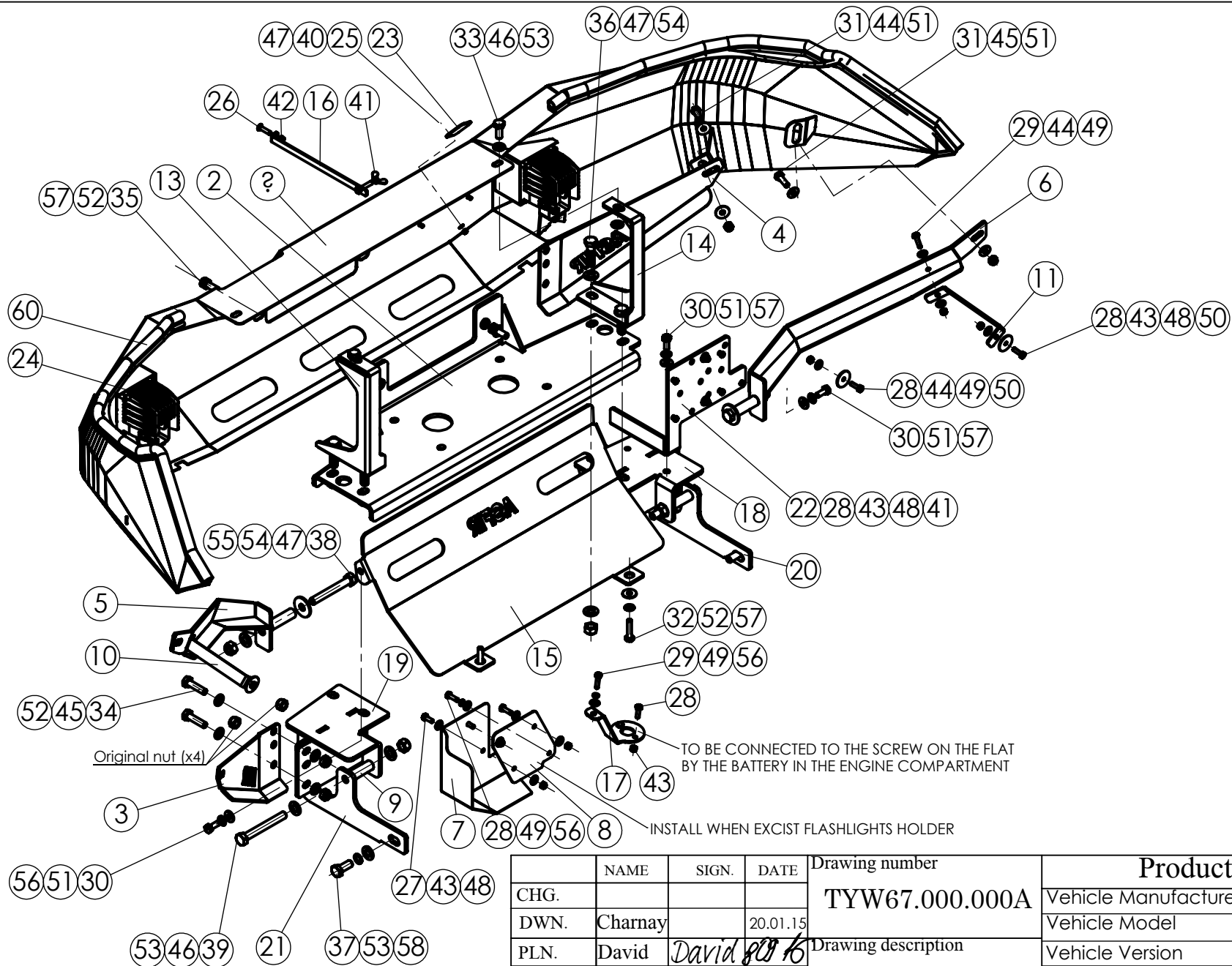
Drawing description

ATL WINCH BUMPER

Vehicle

Toyota Hilux Vigo

Sheets 2



Original nut (x4)

TO BE CONNECTED TO THE SCREW ON THE FLAT BY THE BATTERY IN THE ENGINE COMPARTMENT

INSTALL WHEN EXCIST FLASHLIGHTS HOLDER

				Drawing number		Product Description	
CHG.				TYW67.000.000A		Vehicle Manufacturer	TOYOTA
DWN.	Charnay		20.01.15	Drawing description		Vehicle Model	Hilux Vigo
PLN.	David	<i>David</i>	<i>20/16</i>	ATL Winch Bumper		Vehicle Version	Double cab
CONFIRM	Dani			Catalogue number		VIN	MROFR22G800602491
ASFIR LTD.				533006		Year of Production	2012-2015
				Mass, kg 38 Sheet 1 Sheets 2		Gear Shift	Manual/Automatic
						Motor Model	Diesel 3.0 ,Exhaust DPF
						Transmission	4 x 4

Confidential
 All rights in and to this document are property of ASFIR Ltd. and reserved to it.
 This document is forwarded to the recipient under the condition of and subject
 to the obligation of the recipient to keep the confidentiality of its contents.
 Copying transfer of distribution of this document or its contents and the use
 of it not for the purpose intended-are strictly forbidden.