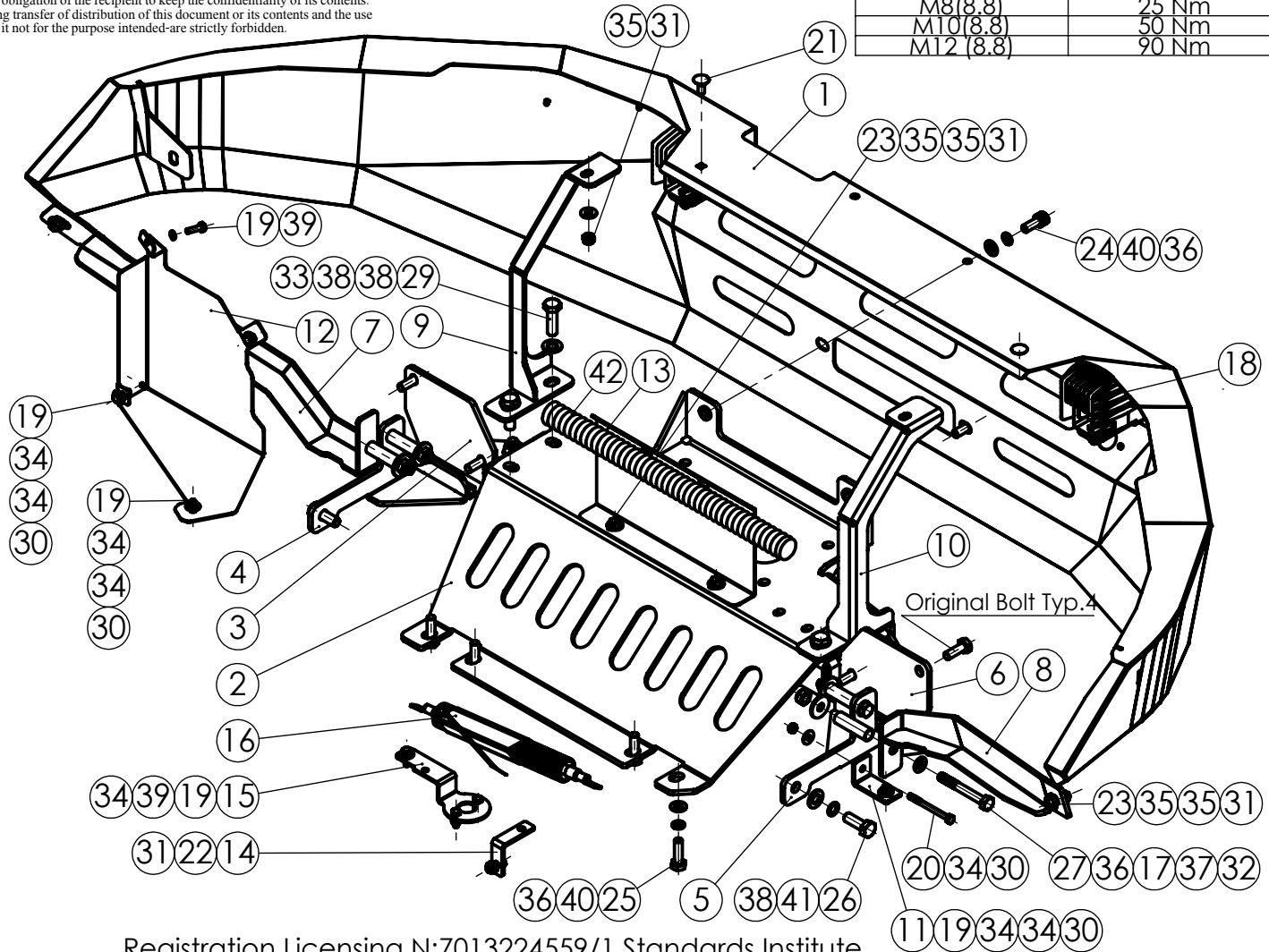


2	PART NUMBER	DESCRIPTION	QTY.
1	TYW123.100.000	ATL Winch Bumper	1
2	TYW82.011.000	Hidden plate	1
3	TYW82.020.000	Left Bracket	1
4	TYW82.030.000	Left Joint	1
5	TYW82.040.000	Right Joint	1
6	TYW82.050.000	Right Bracket	1
7	TYW123.000.002	Left Holder	1
8	TYW123.000.003	Right Holder	1
9	TYW123.000.004	Left Bumper Holder	1
10	TYW123.000.005	Right Bumper Holder	1
11	TYW123.000.006	Right Holder	1
12	TYW123.015.001	Protector	1
13	TYW82.000.002	Cable Protector	1
14	TYW82.000.004	Holder for Fuse	1
15	ISW37.000.004	Adapter to switch	1
16	TYW84.020.000	Red Cable from Battery to Switch	1
17	102096	Spacer $\varnothing 16 \times 1.5 \times 54$ SS304	4
18	917503	4 Led Spot Work Light 4020-SSA	2
19	1104	Hex Bolt M6x20 DIN 933	8
20	1197	Hex Bolt M6x70 DIN 931	1
21	1192	Mushroom head square neck Bolt M8x20 DIN 603	2
22	1161	Hex Bolt M8x1.25x20 DIN 933	1
23	1168	Hex Bolt M8x25 DIN 933	4
24	1029	Socket Head Cap Screw M10x1.5x25 DIN 912	2
25	1027	Hex Bolt M10x1.25x35 DIN 961	4
26	1033	Hex Bolt M12x1.25x35 DIN 961	2
27	1020	Hex Bolt M10x1.5x80 DIN 931	4
28	1003	Hex Bolt M12x1.75x35 DIN 933	6
29	1004	Hex Bolt M12x1.75x40 DIN 933	4
30	3006	Hex Nut Nylock M6 DIN 985	7
31	3005	Hex Nut Nylock M8x1.25 DIN 985	7
32	3020	Hex Nut Nylock M10x1.5 DIN 985	4
33	3001	Hex Nut Nylock M12x1.75 DIN 934	10
34	6173	Washer 6x18 DIN 9021	10
35	6003	Washer 8x20 DIN 125	10
36	6023	Washer 10x20 DIN125	10
37	6010	Washer 10x30 DIN 9021	4
38	6006	Washer 12x24 DIN 125	22
39	6009	Spring washer 6 DIN 127	2
40	6008	Spring washer 10 DIN 127	6
41	6005	Spring washer 12 DIN 127	2
42	4055	Splicing Sleeve L=700 mm	1
43	6946	Low Rubber U Shape for 3mm L=2200mm	1
44	TYW123.000.0001	Instruction	1

Confidential
 All rights in and to this document are property of ASFIR Ltd. and reserved to it.
 This document is forwarded to the recipient under the condition of and subject
 to the obligation of the recipient to keep the confidentiality of its contents.
 Copying transfer of distribution of this document or its contents and the use
 of it not for the purpose intended-are strictly forbidden.

Maximum Tightening Torques	
M6(8.8)	10 Nm
M8(8.8)	25 Nm
M10(8.8)	50 Nm
M12(8.8)	90 Nm



Registration Licensing N:7013224559/1 Standards Institute
 from date 09.12.2020

				Drawing number	Product Description	
CHG.				TYW123.000.000	Vehicle Manufacturer	Toyota
DWN.	David		23.11.20		Vehicle Model	HILUX
PLN.	David		24.12.20	Drawing description	Vehicle Version	PICK UP
CONFIRM	Dani			ATL Winch Bumper	VIN	MROKA3CD601310302
ASFIR LTD.				Catalogue number	Year of Production	2021-
				533008	Gear Shift	AUTOMATIC / MANUAL
				Mass, kg 45	Sheet	Sheets
				Transmission	4X4	