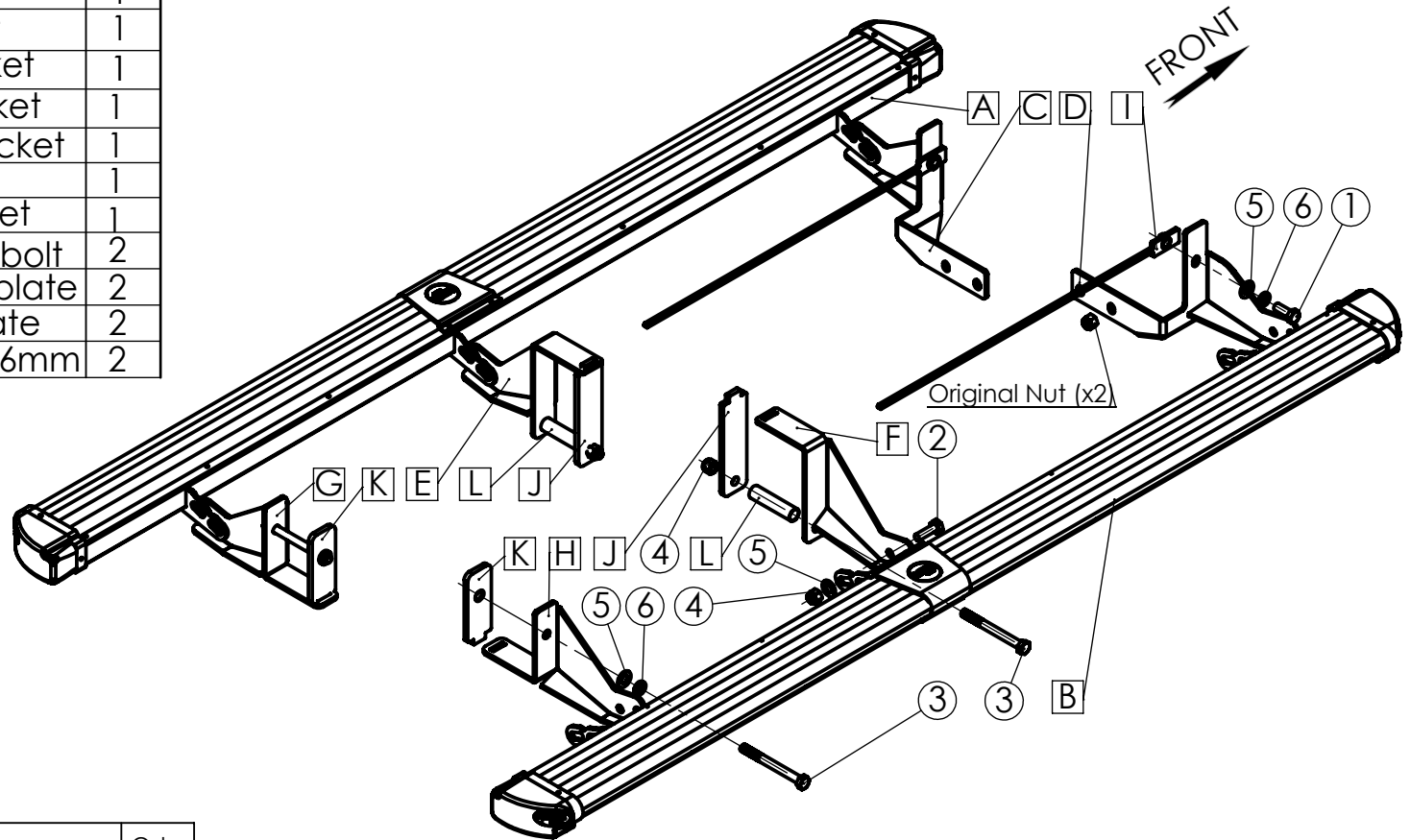


Item	Sketch number	Description	Q-ty
A	TYM82.100.000	Left Step	1
B	TYM82.100.000R	Right Step	1
C	TYM82.000.001L	Left Front bracket	1
D	TYM82.000.001R	Right Front bracket	1
E	TYM29.000.003L	Left Middle bracket	1
F	TYM29.000.003R	Right Middle bracket	1
G	TYM29.000.002L	Left Rear bracket	1
H	TYM29.000.002R	Right Rear bracket	1
I	TYM29.000.006	Plate for closing bolt	2
J	TYM29.000.004	Middle counter plate	2
K	TYM29.000.005	Rear counter plate	2
L	8553	Spacer 1/2" L=86mm	2



Maximum Tightening Torques	
M12 (8.8)	85 Nm

Item	Part number	Description	Q-ty
1	1012	Hex Bolt M12x1.75x30 DIN933	2
2	1004	Hex Bolt M12x1.75x40 DIN933	12
3	1013	Hex Bolt M12x1.75x120 DIN931	4
4	3001	Hex Nut nylock M12x1.75 DIN985	14
5	6006	Washer 12x27 DIN125	16
6	6005	Spring washer 12 DIN127	4

NAME	SIGN	DATE	Drawing number	Product Description	
CHG. Charnay		03.03.16	TYM82.000.000B	Vehicle Manufacturer	Toyota
DWN. Charnay		23.01.12	Drawing description	Vehicle Model	Hilux VIGO
PLN. David <i>David 30%</i>			SIDE STEP PROTECTOR Black	Vehicle Version	Tender
CONFIRM Dani			Catalogue number	Year of Production	2012-2015
ASFIR LTD.			533059	Gear Shift	Manual/ Automatic
			Mass, kg 35	Motor Model	Diesel 3.0L
			Sheet	Sheets 1	Transmission

Confidential

All rights in and to this document are property of ASFIR Ltd. and reserved to it. This document is forwarded to the recipient under the condition of and subject to the obligation of the recipient to keep the confidentiality of its contents. Copying transfer of distribution of this document or its contents and the use of it not for the purpose intended are strictly forbidden.