

NO	PART NUMBER	DESCRIPTION	QTY
1	TYW73.000.001	Front pipe	1
2	TYW73.000.002	Left pipe	1
3	TYW73.000.003	Right pipe	1
4	TYW73.000.006	Spacer	4
5	TYW73.010.000	Lower Bar	1
6	MTW60.000.005	Rear Lower Bracket	4
7	MTW60.020.000	Pole	4
8	MTW60.000.009	Thread rod M8	4
9	DOW09.000.007	Holder	2
10	10133	Round black spacer 60	4
11	2221	Plastic plug 2"	2
12	1210	Hex Bolt M8x70 DIN 931	2
13	1058	Hex Bolt M8x80 DIN 931	4
14	1054	Hex Bolt M10x1.5x160 DIN 931	4
15	3005	Hex Nut Nylock M8 DIN 985	8
16	1300	Domed Cap Nut M8 DIN 1587	6
17	6003	Washer 8x20 DIN 125	20
18	6023	Washer 10x20 DIN125	4
19	6062	Washer 12x63	4
20	6001	Spring washer 8 DIN 127	6
21	6008	Spring washer 10 DIN 127	4
22	8003	Rivet ϕ 5x12	8
23	TYW73.000.100	Instructions for Toyota	1
24	TYW73.000.200	Instructions for Ford	1

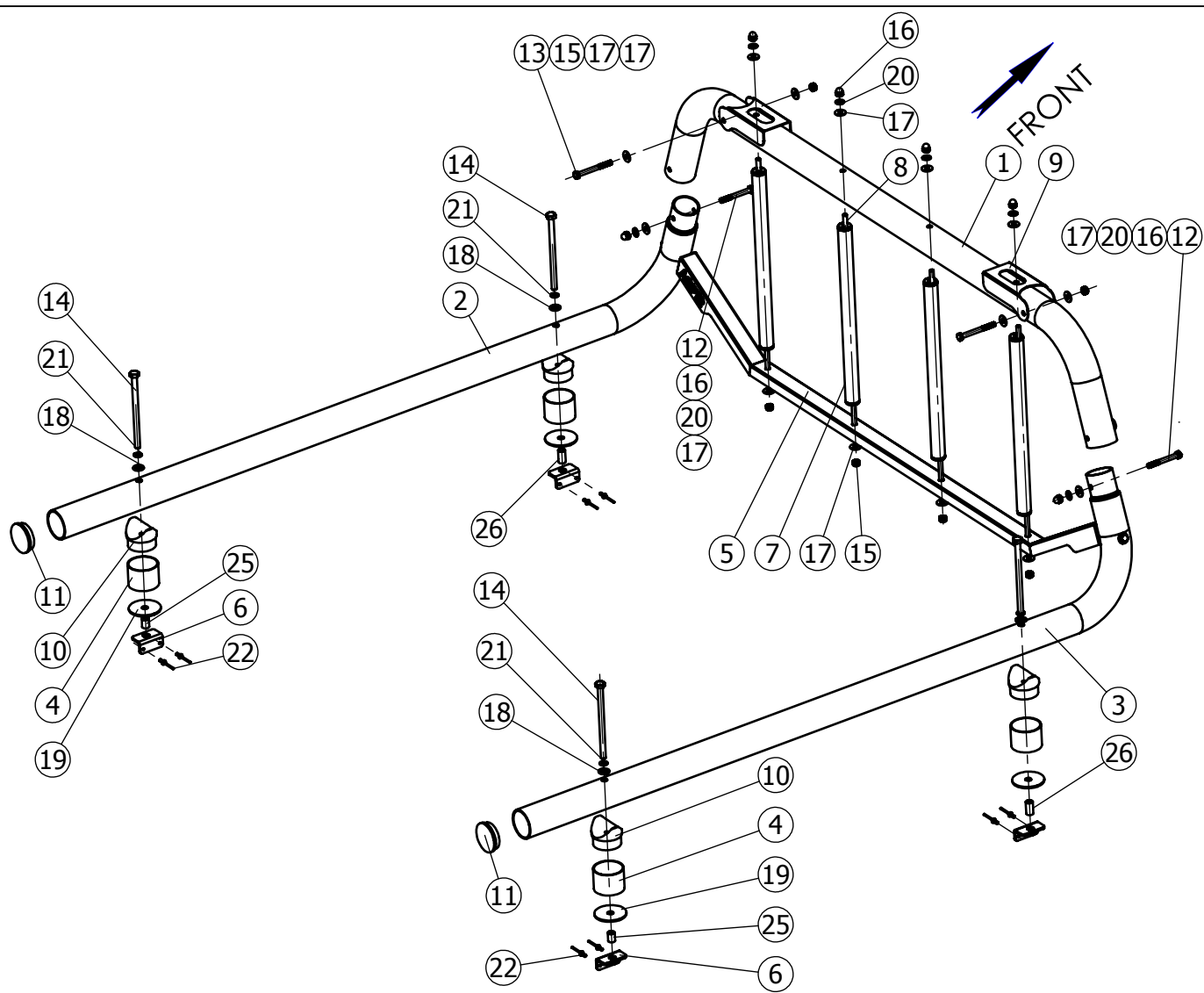
Additional parts for vehicles Ford Ranger only.

NO	PART NUMBER	DESCRIPTION	QTY
25	10944	Spacer ϕ 14x1.5 SS304 L=18 mm	2
26	10945	Spacer ϕ 14x1.5 SS304 L=26 mm	2

For Ford Ranger Tightening Torque of the bolt M10x1.5x160 (item. 14) is equal to 12 Nm.

Confidential

All rights in and to this document are property of ASFIR Ltd. and reserved to it. This document is forwarded to the recipient under the condition of and subject to the obligation of the recipient to keep the confidentiality of its contents. Copying, transfer or distribution of this document or its contents and the use of it not for the purpose intended-are strictly forbidden.



				Product Description			
NAME	SIGN.	DATE	Drawing number	Vehicle Manuf.	TOYOTA	FORD	
CHG. Slava		5.05.16	TYW73.000.000	Vehicle Model	HILUX VIGO	RANGER	
DWN. Slava		19.08.13	Drawing description	Vehicle Version	LWB/SWB	Double Cabin	
PLN. David	David	SDS/6	Utility Rack	VIN	MROFR22G800602491	6FPPXXMJ2PCL65325	
CONF. Dani			Catalogue number	Year of Product.	2011-2015	2013	
ASFIR LTD.				533085	Gear Shift	AUTOMATIC/MANUAL	
				Mass, kg 28	Motor Model	DIESEL	MANUAL
					Transmission	4x4	DIESEL 2.2TDCi