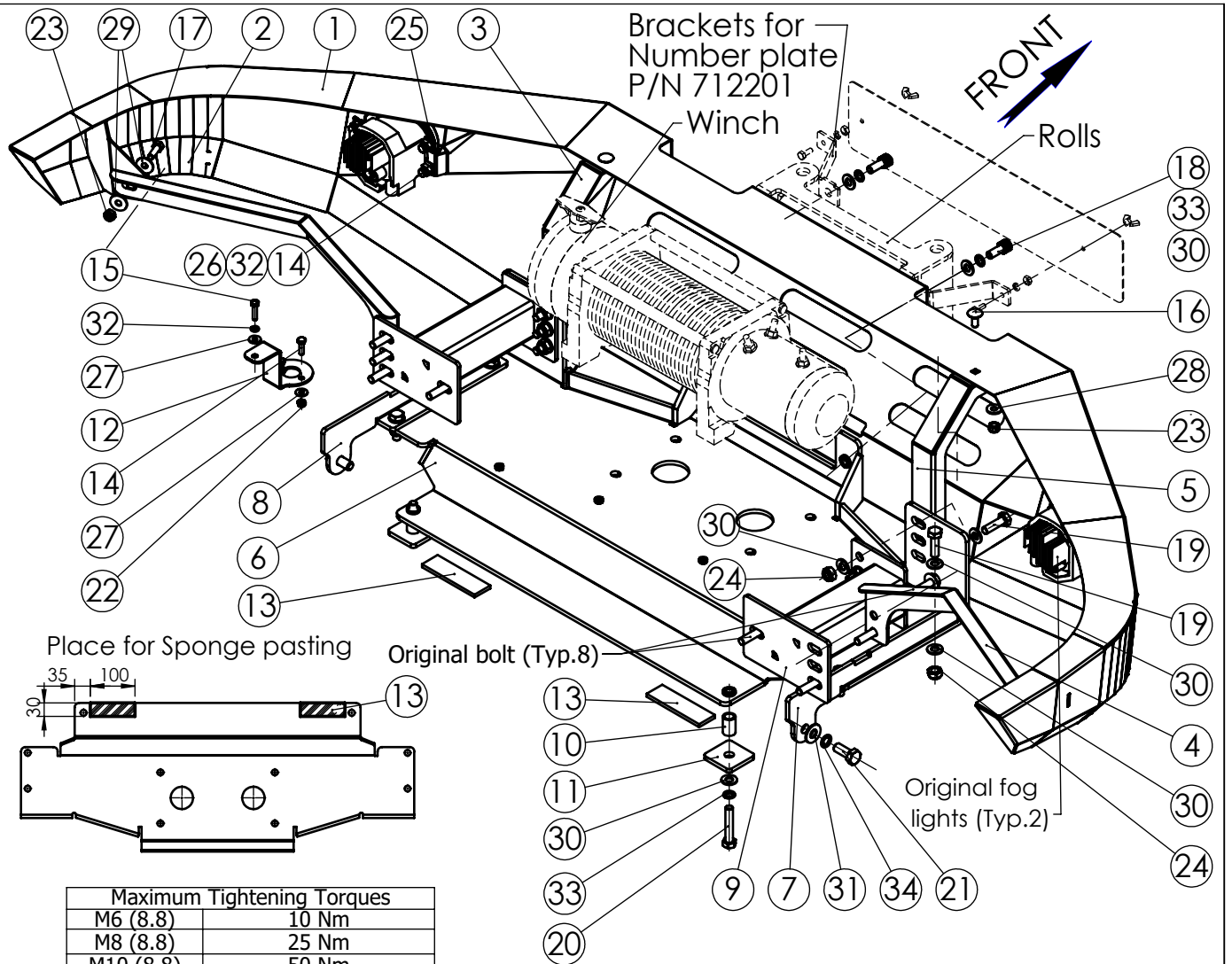


NO	PART NUMBER	DESCRIPTION	QTY
1	TYW112.050.100	Bumper	1
2	TYW112.050.021	Left joint	1
3	TYW112.050.022	Left bumper holder	1
4	TYW112.050.023	Right Joint	1
5	TYW112.050.024	Right bumper holder	1
6	TYW112.010.000	Winch Plate	1
7	TYW112.000.001	Right holder	1
8	TYW112.000.002	Left holder	1
9	TYW112.040.000	Bracket	2
10	TYW61.000.002	Spacer	2
11	JPM43.000.007	Spacer	2
12	TYW25.000.007	Adapter for switch	1
13	4054	Sponge 30X100	2
14	1104	Hex Bolt M6x20 DIN 933	10
15	1167	Hex Bolt M6x25 DIN 933	1
16	1192	Mushroom head square neck Bolt M8x20 DIN 603	2
17	1168	Hex Bolt M8x25 DIN 933	2
18	1029	Socket Head Cap Screw M10x1.5x25 DIN 912	2
19	1066	Hex Bolt M10x1.5x35 DIN 933	10
20	1018	Hex Bolt M10x1.5x55 DIN 931	2
21	1049	Hex Bolt M12x1.25x30 DIN 961	2
22	3006	Hex Nut Nylock M6 DIN 985	2
23	3005	Hex Nut Nylock M8 DIN 985	4
24	3037	Hex Nut Nylock M10x1.5 DIN 985	10
25	3107	Nut Sheet M6	8
26	6029	Washer 6x12 DIN 125	8
27	6018	Washer 6x16	3
28	6003	Washer 8x20 DIN 125	2
29	6000	Washer 8x24 DIN 9021	4
30	6023	Washer 10x20 DIN125	22
31	6006	Washer 12x24 DIN 125	2
32	6009	Spring washer 6 DIN 127	9
33	6008	Spring washer 10 DIN 127	4
34	6005	Spring washer 12 DIN 127	2
35	TYW112.000.000I	Instructions	1



Maximum Tightening Torques	
M6 (8.8)	10 Nm
M8 (8.8)	25 Nm
M10 (8.8)	50 Nm
M12(8.8)	85 Nm

	NAME	SIGN.	DATE
CHG.			
DWN.	Slava		22.01.18
PLN.	David		24.01.18
CONFIRM	Dani		

**ASFIR LTD.**

Drawing number		Product Description	
TYW112.000.000		Vehicle Manuf.	TOYOTA
Drawing description		Vehicle Model	LAND CRUISER 150
ATL Winch Bumper		Vehicle Version	GDJ150L-GKTEYW
Catalogue number		VIN	JTEBR3FJX0K076650
534102		Year of Product.	2018
Weight,kg 45		Gear Shift	AUTOMATIC
		Motor Model	DIESEL
		Transmission	4x4