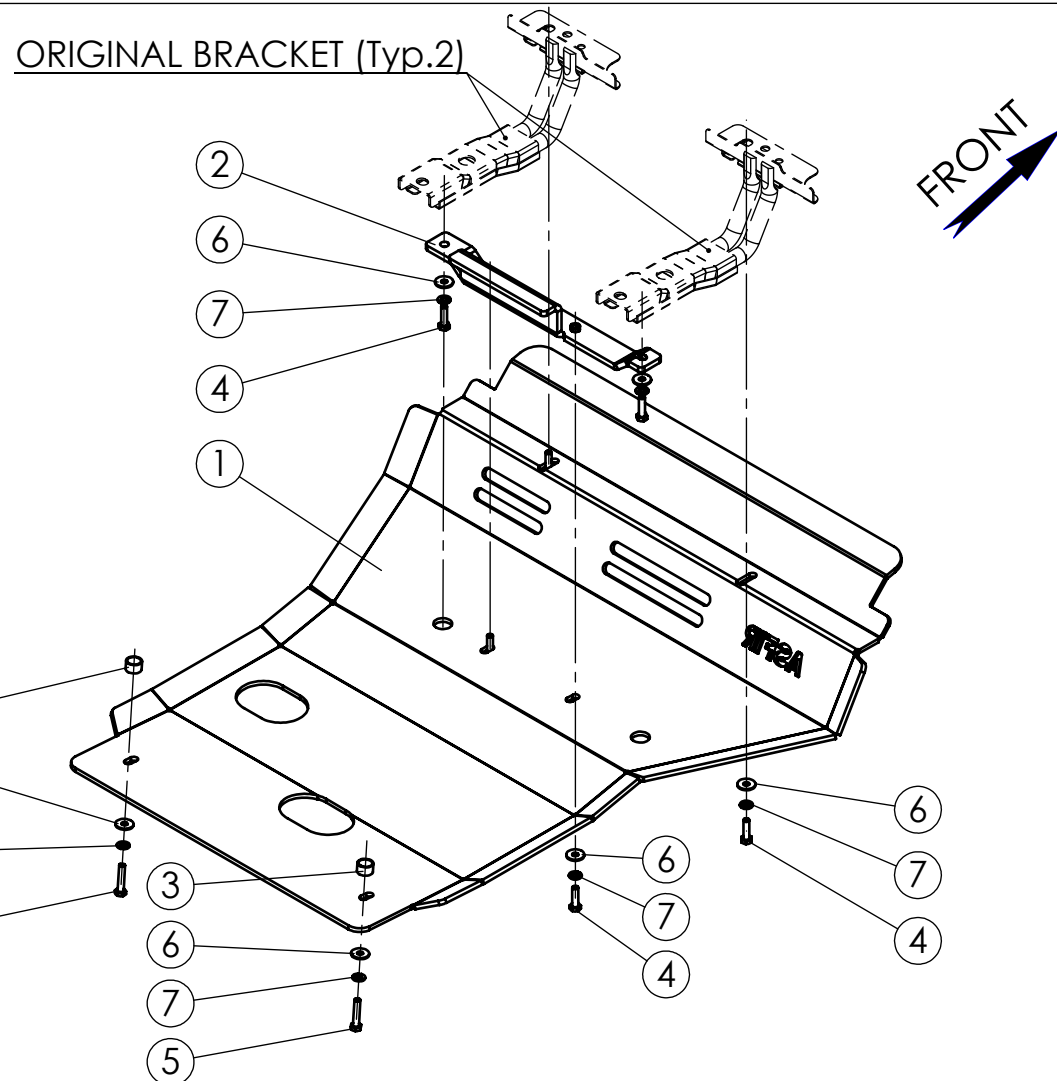


NO.	PART NUMBER	DESCRIPTION	QTY.
1	TYM70.000.001	SKID PLATE	1
2	TYM53.000.002	BRACKET	1
3	8518	SPACER 1/2" L=13 ST37	2
4	1209	Hex bolt M8x30 DIN 933	6
5	1002	Hex bolt M8x40 DIN 933	2
6	6000	Washer 8x24 DIN 9021	8
7	6001	Spring washer 8 DIN 127	8

1. DISMOUNT ORIGINAL SKID PLATE WITH KEY 12 mm.
2. THROW THE ORIGINAL SKID PLATE.



ORIGINAL BRACKET (Typ.2)

Maximum Tightening Torques

M8 (8.8)	25 Nm
M10 (8.8)	50 Nm

				Drawing number	Product Description	
CHG.	DAVID	SIGN.	DATE	TYM70.000.000	Vehicle Manuf.	TOYOTA
DWN.	CHARNAY		23.08.10		Vehicle Model	LAND CRUISER LIMITED
PLN.	DAVID		26.04.17	Drawing description	Vehicle Version	KDJ150L-GKAEYW
CONFIRM	DANI			Front skid plate for transverse stabilizer rod	VIN	JTEBH3FJ805004038
ASFIR LTD.				Catalogue number	Year of Product.	2010-2017
				534156	Gear Shift	AUTOMATIC
				Weight,kg 13.8	Motor Model	DIESEL 3.0L/2.8L TURBO
					Transmission	4X4

Confidential

All rights in and to this document are property of ASFIR Ltd. and reserved to it. This document is forwarded to the recipient under the condition of and subject to the obligation of the recipient to keep the confidentiality of its contents. Copying, transfer or distribution of this document or its contents and the use of it not for the purpose intended-are strictly forbidden.