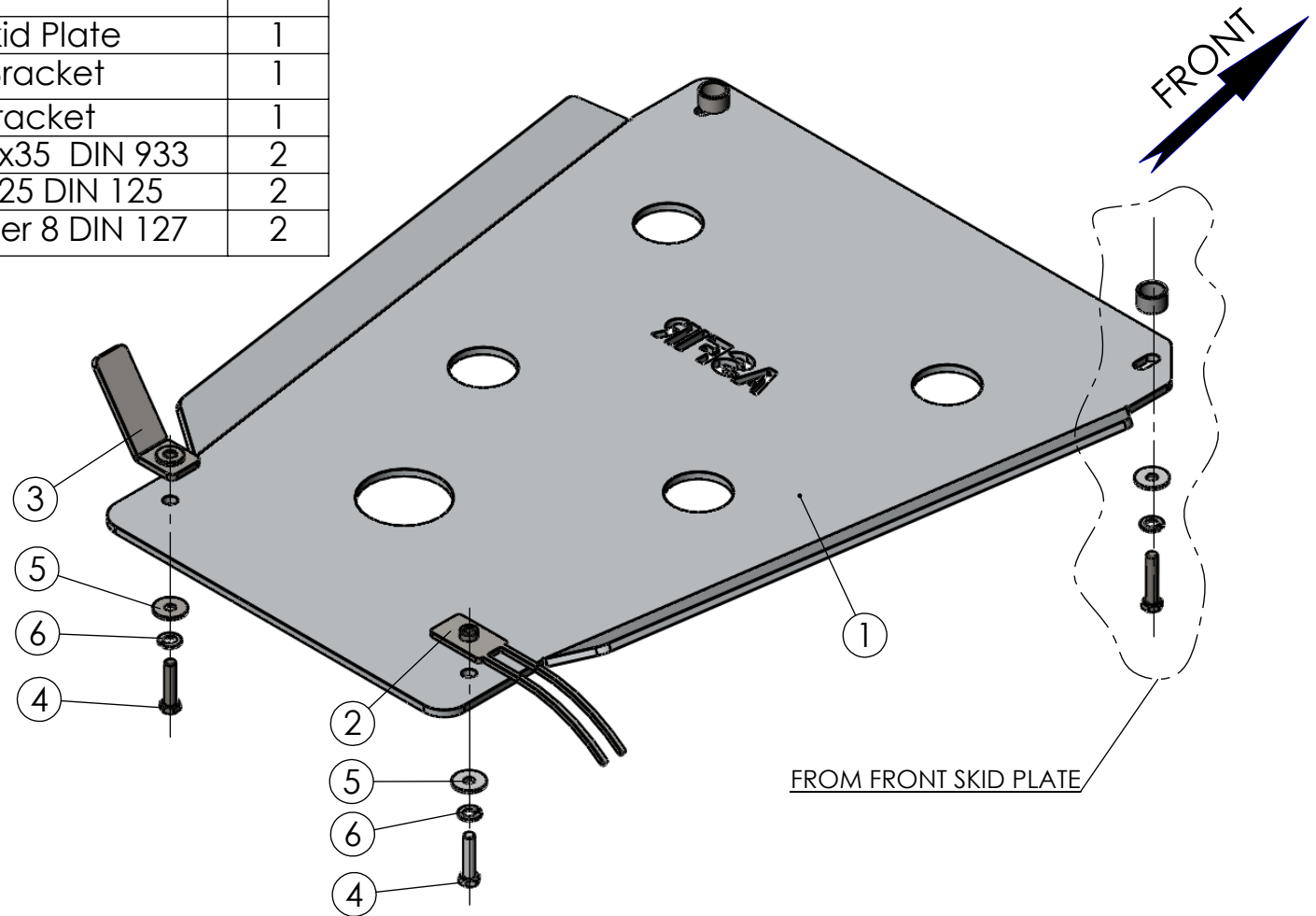


ITEM NO.	PART NUMBER	DESCRIPTION	QTY.
1	TYM59.000.001	Gear Skid Plate	1
2	TYM54.000.002	Right Bracket	1
3	TYM25.000.003	Left bracket	1
4	1000	Hex bolt M8x35 DIN 933	2
5	6000	Washer 8x25 DIN 125	2
6	6001	Spring washer 8 DIN 127	2



				Drawing number	Product Description	
CHG.	CHARNAY	SIGN.	DATE	TYM59.000.000	Vehicle Manuf.	TOYOTA
DWN.	CHARNAY		22.08.13		Vehicle Model	LAND CRUISER PRADO
PLN.	DAVID		05.07.10	Drawing description	Vehicle Version	GRJ150L-GKAEKW
CONFIRM	DANI			GEAR SKID PLATE	VIN	JTEBH3FJ00K016665
<b>ASFIR LTD.</b>				Catalogue number	Year of Product.	2010-2013
				534161	Gear Shift	AUTOMATIC
				Weight,kg 5.6	Motor Model	PETROL
					Transmission	4X4

Confidential

All rights in and to this document are property of ASFIR Ltd. and reserved to it. This document is forwarded to the recipient under the condition of and subject to the obligation of the recipient to keep the confidentiality of its contents. Copying, transfer or distribution of this document or its contents and the use of it not for the purpose intended-are strictly forbidden.