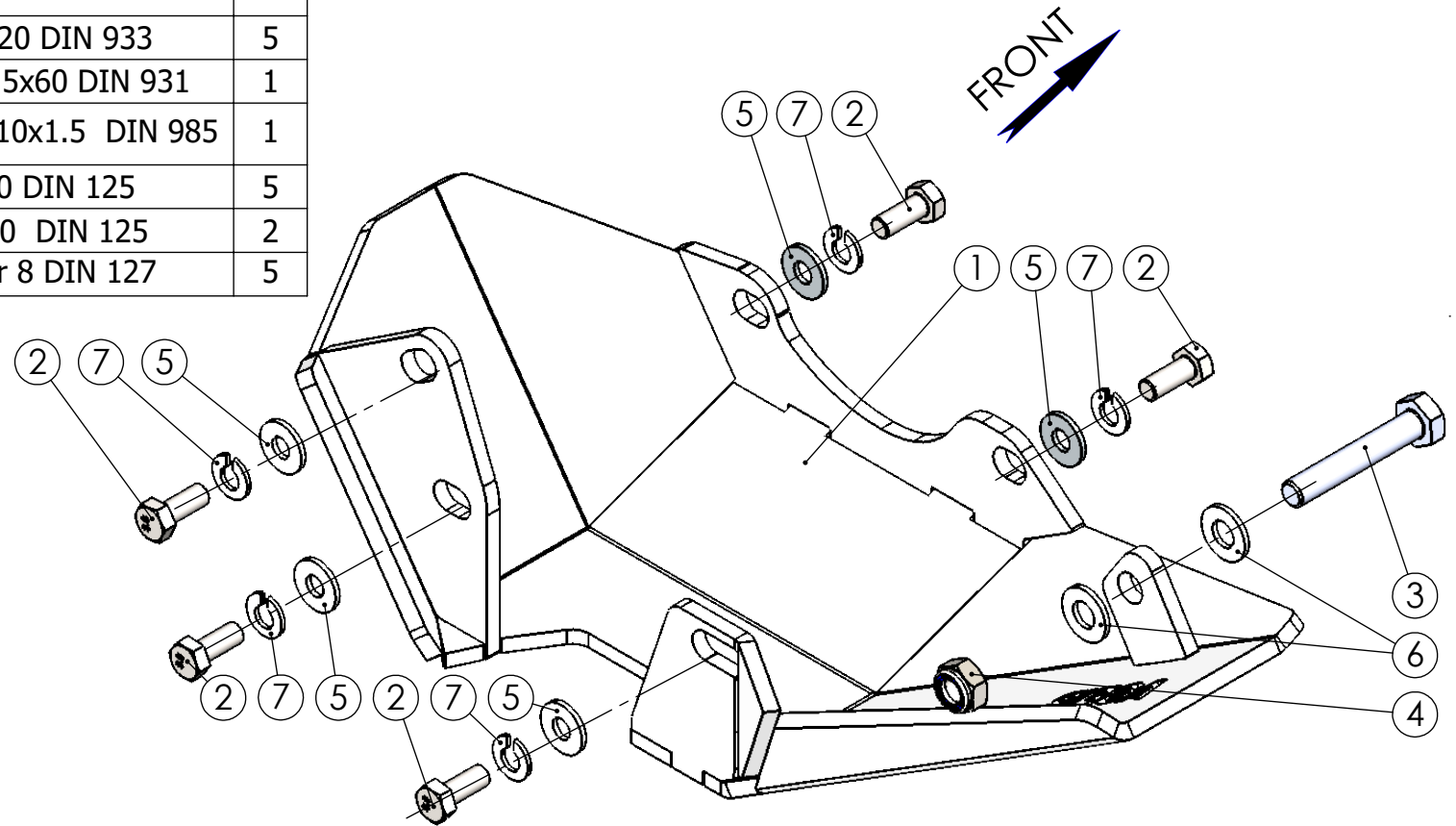




NO.	PART NUMBER	DESCRIPTION	QTY
1	TYM56.010.000	SKID PLATE	1
2	1161	Hex Bolt M8x20 DIN 933	5
3	1054	Hex Bolt M10x1.5x60 DIN 931	1
4	3037	Hex Nut Nylock M10x1.5 DIN 985	1
5	6003	Washer 8x20 DIN 125	5
6	6023	Washer 10x20 DIN 125	2
7	6001	Spring washer 8 DIN 127	5



Before mounting remove original skid plate, having turned away 4 bolts with help of wrench 12 mm.

				Drawing number	Product Description		
CHG.	Slava		26.04.17	TYM56.000.000	Vehicle Manuf.	TOYOTA	
DWN.	Slava		24.12.09		Vehicle Model	LAND CRUISER PRADO	FJ / 4RUNNER / TACOMA
PLN.	David		26.04.17		Vehicle Version	150/155	SUV
CONFIRM	Dani			Drawing description	VIN JTEBH3FJ705002331		
<p style="text-align: center;"><b>ASFIR LTD.</b></p>				<p style="text-align: center;"><b>TRANSFER SKID PLATE</b></p>	Year of Product.	2010 -2017	2010-2011
					Catalogue number	534165	
					Weight,kg	2.0	
					Gear Shift	AUTOMATIC	
					Motor Model	DIESEL 3.0L/2.8L	PETROL
					Transmission	4x4	

Confidential

All rights in and to this document are property of ASFIR L td.and reserved to it. This document is forwarded to the recipient under the condition of and subject to the obligation of the recipient to keep the confidentiality of its contents. Copying, transfer or distribution of this document or its contents and the use of it not for the purpose intended-are strictly forbidden.