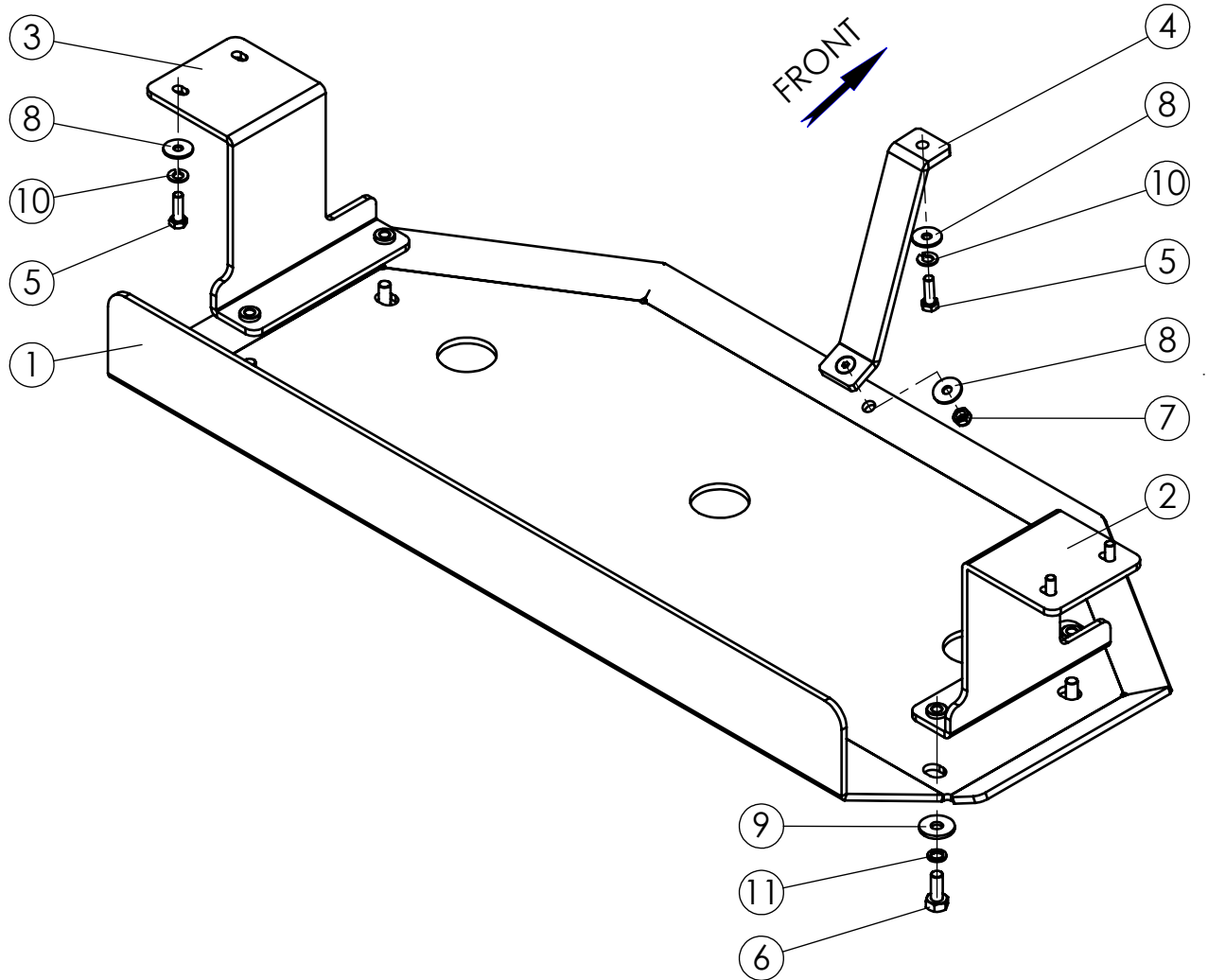


NO.	PART NUMBER	DESCRIPTION	QTY.
1	TYM58.000.001	Skid Plate	1
2	TYM58.000.002	Right Side Bracket	1
3	TYM58.000.002L	Left Side Bracket	1
4	TYM22.000.002	Front Bracket	1
5	1168	Hex Bolt M8x25 8.8 DIN 933	5
6	1048	Hex Bolt M10x1.5x25 DIN 933	4
7	3005	Hex Nut nylock M8 DIN 985	1
8	6098	Washer 8x24 DIN 9021	6
9	6010	Washer 10x30 DIN 9021	4
10	6001	Spring washer 8 DIN 127	5
11	6008	Spring washer 10 DIN 127	4



Maximum Tightening Torques

M8 (8.8)	25 Nm
M10 (8.8)	50 Nm

	NAME	SIGN.	DATE	Drawing number	Product Description	
CHG.	David		26.04.17	TYM58.000.000	Vehicle Manuf.	TOYOTA
DWN.	Charnay		25.04.10		Vehicle Model	LAND CRUISER 155
PLN.	David		26.04.17	Drawing description	Vehicle Version	KDJ155L-GJAEYW
CONFIRM	Dani			FUEL TANK SKID PLATE	VIN	JTECH3FJ905001251
ASFIR LTD.				Catalogue number	Year of Product.	2010 - 2017
				534171	Gear Shift	AUTOMATIC
				Weight,kg 13	Motor Model	DIESEL 3.0L/2.8L Turbo
					Transmission	4x4

Confidential

All rights in and to this document are property of ASFIR Ltd. and reserved to it. This document is forwarded to the recipient under the condition of and subject to the obligation of the recipient to keep the confidentiality of its contents. Copying, transfer or distribution of this document or its contents and the use of it not for the purpose intended-are strictly forbidden.