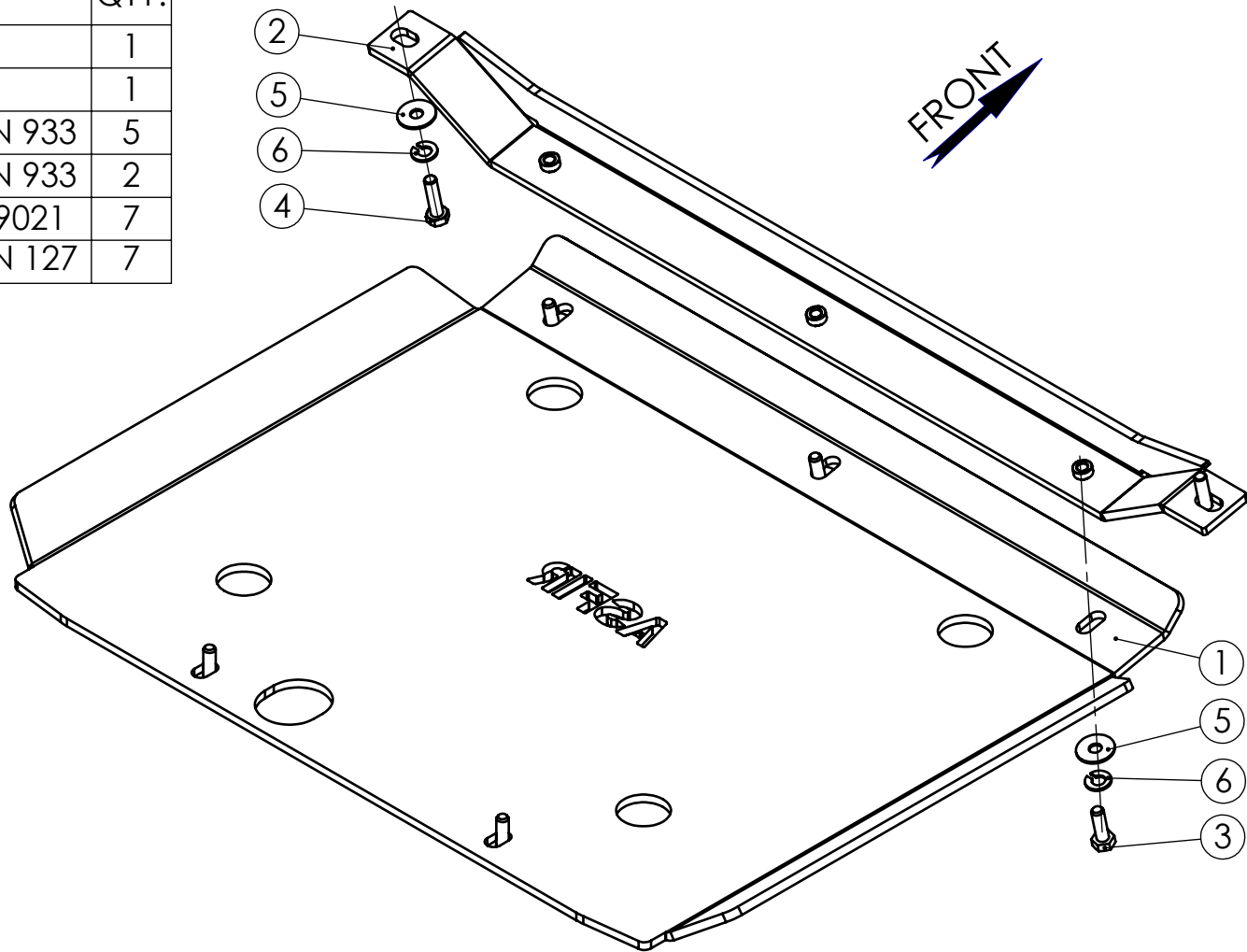


NO.	PART NUMBER	DESCRIPTION	QTY.
1	TYM85.000.001	Skid Plate	1
2	TYM85.010.000	Bracket	1
3	1168	Hex Bolt M8x25 DIN 933	5
4	1209	Hex Bolt M8x30 DIN 933	2
5	6000	Washer 8x25 DIN 9021	7
6	6001	Spring washer 8 DIN 127	7



Maximum Tightening Torques	
M8 (8.8)	24 Nm

NAME	SIGN.	DATE	Drawing number	Product Description	
CHG.	CHARNAY	14.08.12	TYM85.000.000	Vehicle Manuf.	TOYOTA
DWN.	CHARNAY	15.05.12		Vehicle Model	LAND CRUISER 80
PLN.	DAVID	14.08.12	Drawing description	Vehicle Version	LWB
CONFIRM	DANI		Gear Skid plate	VIN	JT3DJ81W4S0094519
ASFIR LTD.				Catalogue number	Year of Product.
			534260	Gear Shift	AUTOMATIC
			Weight,kg 7.7	Motor Model	PETROL
				Transmission	4X4

Confidential

All rights in and to this document are property of ASFIR Ltd. and reserved to it. This document is forwarded to the recipient under the condition of and subject to the obligation of the recipient to keep the confidentiality of its contents. Copying, transfer or distribution of this document or its contents and the use of it not for the purpose intended-are strictly forbidden.