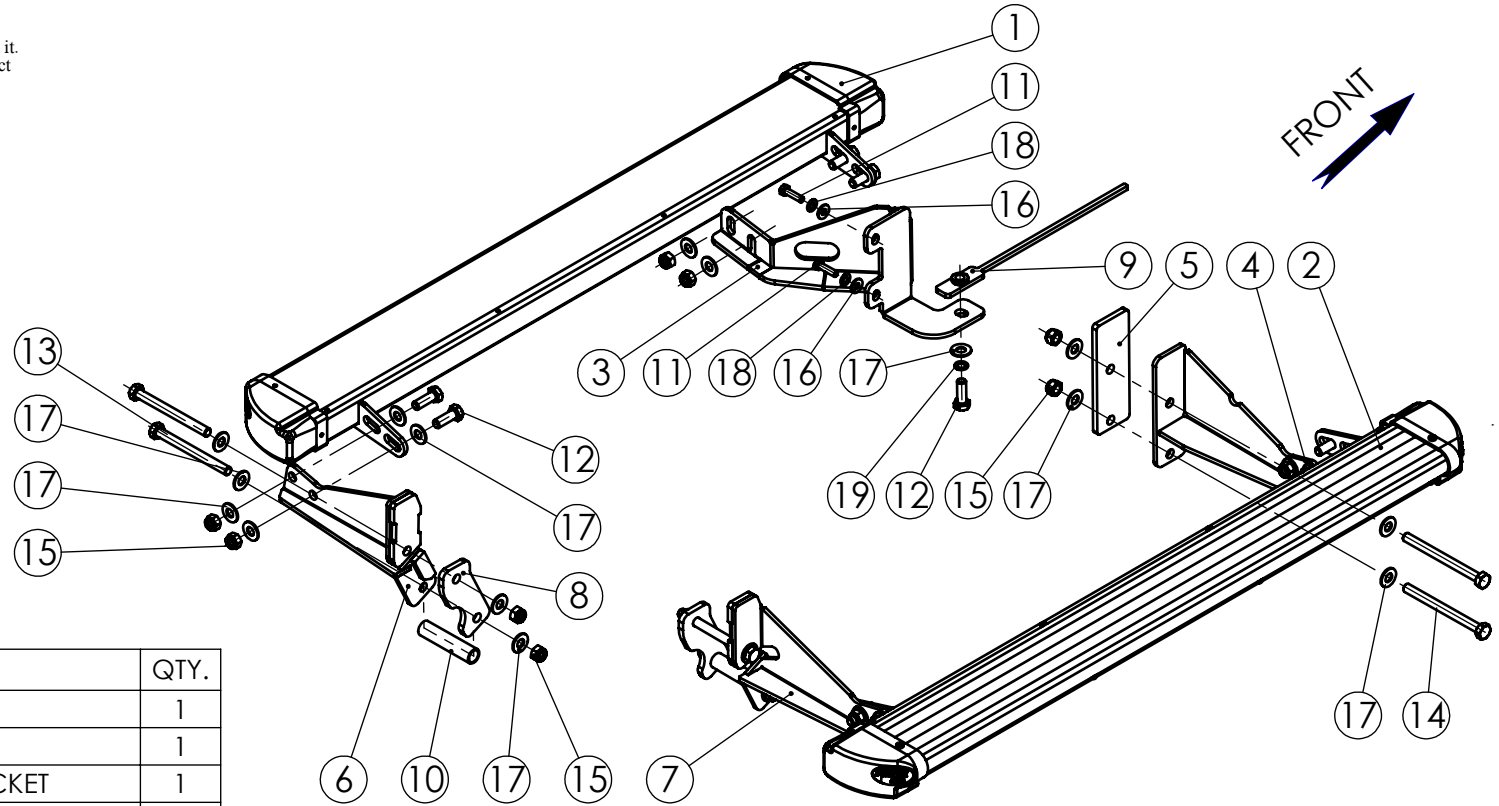


Confidential

All rights in and to this document are property of ASFIR Ltd. and reserved to it. This document is forwarded to the recipient under the condition of and subject to the obligation of the recipient to keep the confidentiality of its contents. Copying, transfer or distribution of this document or its contents and the use of it not for the purpose intended are strictly forbidden.



NO	PART NUMBER	DESCRIPTION	QTY.
1	TYM57.100.000	LEFT STEP	1
2	TYM57.100.000R	RIGHT	1
3	TYM104.000.010	LEFT FRONT BRACKET	1
4	TYM21.000.001R	RIGHT BRACKET	1
5	TYM21.000.004	FRONT CONNECT	1
6	TYM21.030.000L	LEFT REAR BRACKET	1
7	TYM21.030.000R	RIGHT REAR BRACKET	1
8	TYM57.000.001	REAR CONNECT	2
9	TYM27.000.004	Spaser Nut M12	1
10	8520	SPACER 1/2" L=93	2
11	1209	Hex Bolt M8x30 DIN 933	2
12	1003	Hex Bolt M12x1.75x35 DIN 933	9
13	1014	Hex bolt M12x1.75x130 DIN 931	4
14	1015	Hex bolt M12x1.75x140 DIN 931	2
15	3001	Hex Nut Nylock M12x1.75 DIN 985	14
16	6003	Washer 8x20 DIN 125	2
17	6006	Washer 12x24 DIN125	29
18	6001	Spring washer 8 DIN 127	2
19	6005	Spring washer 12 DIN 127	1

Maximum Tightening Torques	
M8 (8.8)	25 Nm
M12 (8.8)	85 Nm

NAME	SIGN.	DATE	Drawing number	Product Description	
CHG. David		10.08.17	TYM104.000.000B	Vehicle Manuf.	TOYOTA
DWN. Charnay		24.03.16		Vehicle Model	LAND CRUISER
PLN. David		10.08.17		Vehicle Version	GDJ155L - GJTEYW
CONFIRM Dani			Drawing description Side Step Protector Black	VIN	JTECR3FJ405000666
ASFIR LTD.			Catalogue number	Year of Product.	2015-2017
			534352	Gear Shift	AUTOMATIC
			Weight,kg 23	Motor Model	Diesel 2.8L Turbo
				Transmission	4X4