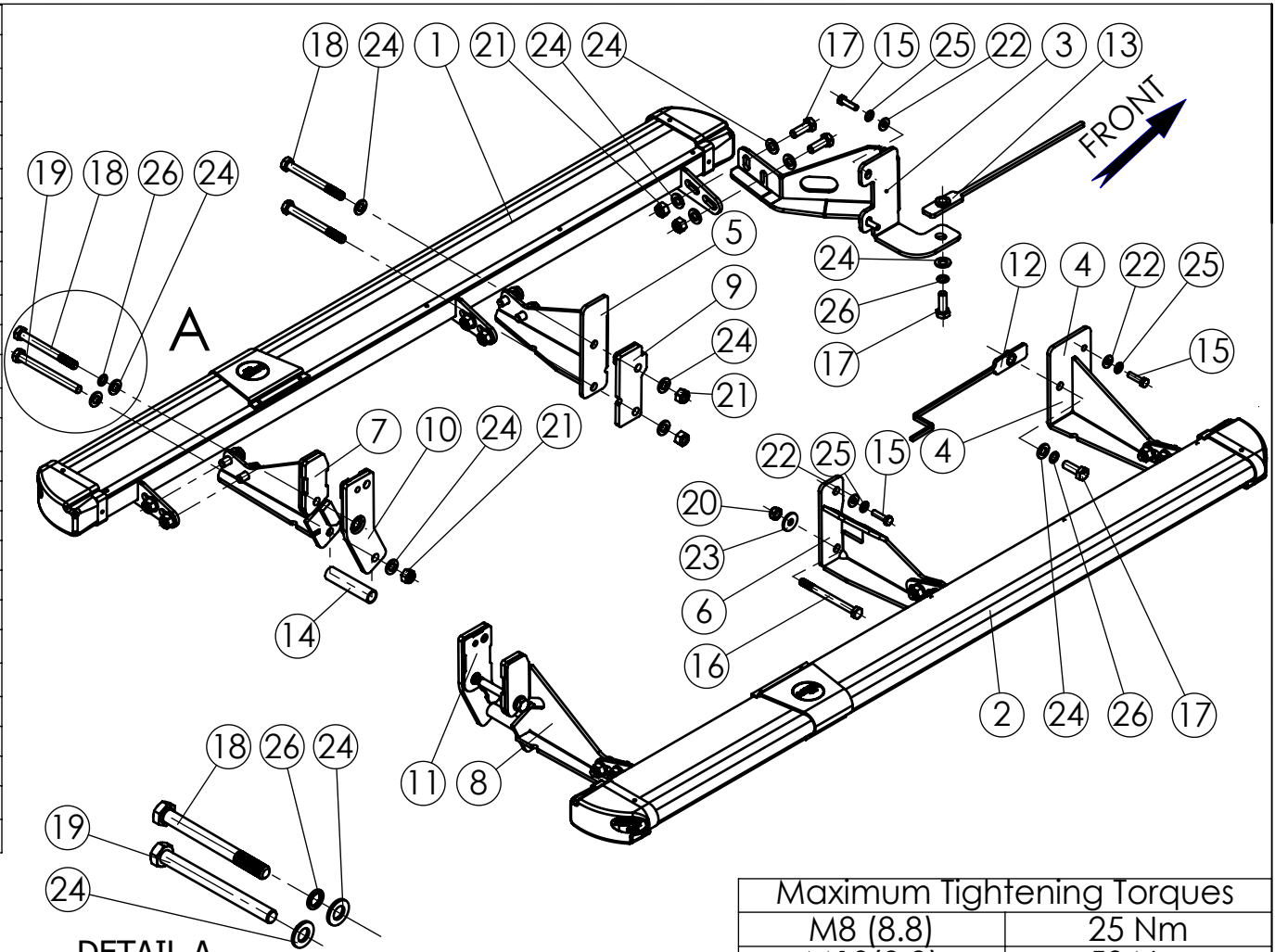
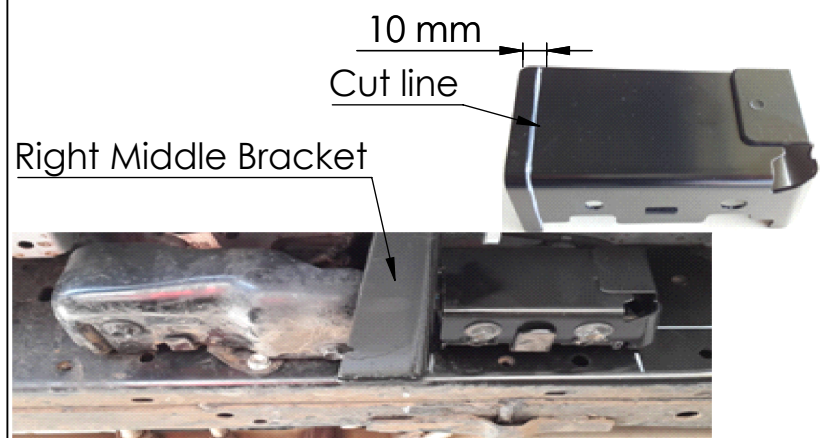


NO	PART NUMBER	DESCRIPTION	QTY
1	TYM105.100.000L	Left Step Protector	1
2	TYM105.100.000R	Right Step Protector	1
3	TYM104.000.010	Left Front Bracket	1
4	TYM61.000.001R	Front Right Bracket	1
5	TYM55.000.001L	Left Bracket	1
6	TYM105.000.002	Right Middle Bracket	1
7	TYM55.030.000L	Rear Left Bracket	1
8	TYM55.030.000 R	Rear Right Bracket	1
9	TYM55.020.000	Middle Left Connect	1
10	TYM21.040.000L	Rear Left Connect	1
11	TYM21.040.000R	Rear Right Connect	1
12	TYM61.000.002	SPACER NUT M12x1.75	1
13	TYM27.000.004	Spaser Nut M12	1
14	8520	SPACER 1/2" L=93	2
15	1209	Hex Bolt M8x30 DIN 933	5
16	1053	Hex Bolt M10x1.5x120 DIN 931	1
17	1003	Hex Bolt M12x1.75x35 DIN 933	14
18	1013	Hex Bolt M12x1.75x120 DIN 931	4
19	1014	Hex bolt M12x1.75x130 DIN 931	2
20	3037	Hex Nut Nylock M10x1.5 DIN 985	1
21	3001	Hex Nut Nylock M12x1.75 DIN 985	17
22	6003	Washer 8x20 DIN 125	5
23	6010	Washer 10x30 DIN 9021	1
24	6006	Washer 12x24 DIN 125	35
25	6001	Spring washer 8 DIN 127	5
26	6005	Spring washer 12 DIN 127	4



DETAIL A



Maximum Tightening Torques	
M8 (8.8)	25 Nm
M10(8.8)	50 Nm
M12(8.8)	85 Nm

	NAME	SIGN.	DATE	Drawing number	
CHG.	Ameed		18.01.18	TYM105.000.000B	
DWN.	Charnay		24.03.16		
PLN.	David		19.01.18		
CONFIRM	Dani			Side Step Protector Black	
ASFIR LTD.				Catalogue number	534353
				Weight,kg	32

Product Description	
Vehicle Manuf.	TOYOTA
Vehicle Model	LAND CRUISER
Vehicle Version	GRJ150L-GKTEYW
VIN	JTEBR3FJ505003121
Year of Product.	2016-2018
Gear Shift	AUTOMATIC
Motor Model	DIESEL 2.8L
Transmission	4X4