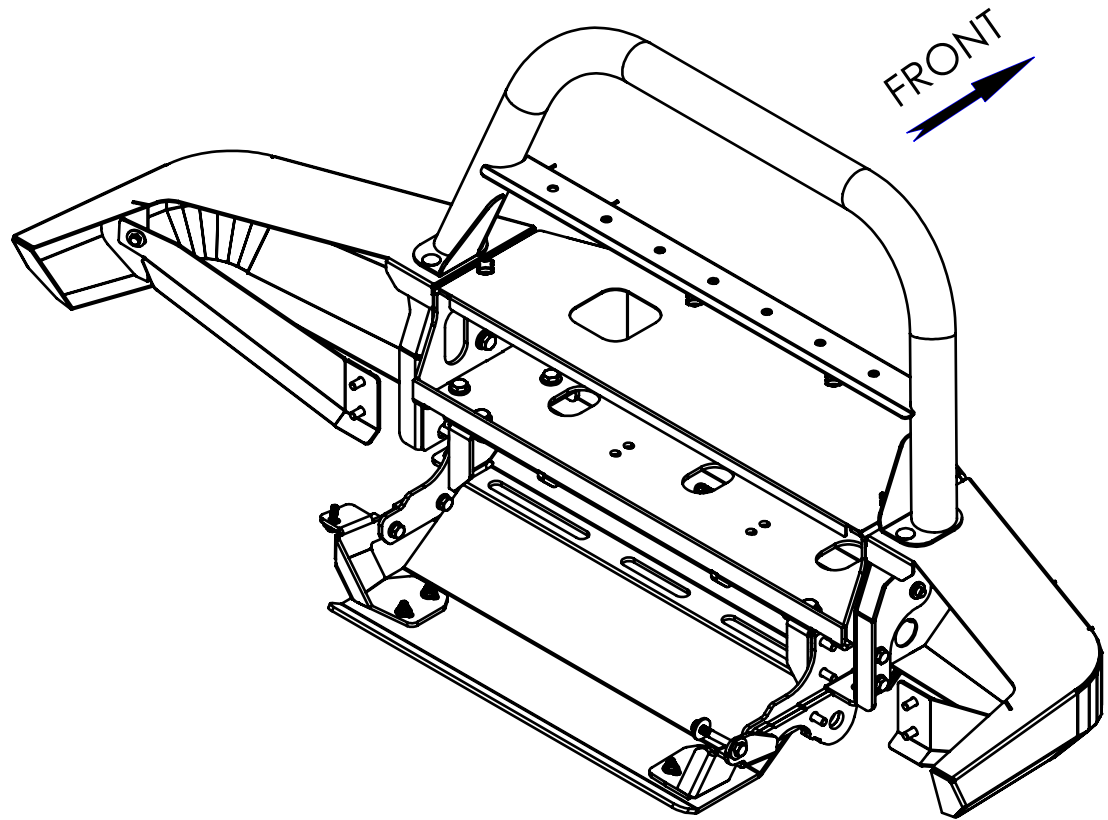


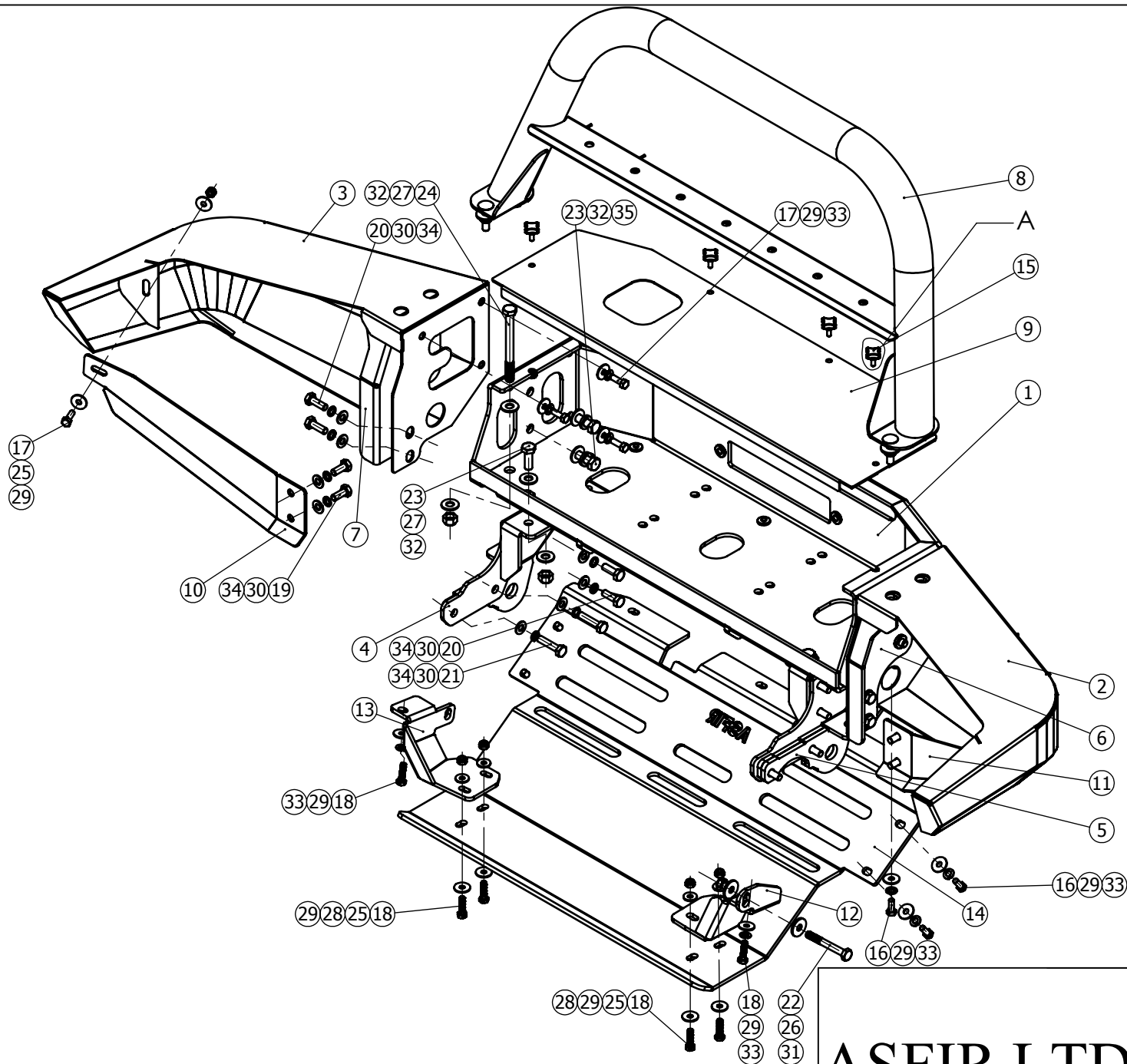
NO.	PART NUMBER	DESCRIPTION	QTY.
1	TYW72.010.000	Winch plate	1
2	TYW72.100.000	Right Wing	1
3	TYW72.030.000	Left Wing	1
4	TYW72.035.000	Left bracket	1
5	TYW72.036.000	Right bracket	1
6	TYW72.045.000	Left bracket	1
7	TYW72.050.000	Right bracket	1
8	TYW72.080.000	Tube grill /Cat. No 535002/	1
9	TYW72.090.000	Cover for winch	1
10	TYW72.000.003	Left plug	1
11	TYW72.000.004	Right plug	1
12	TYW72.000.005	Right Bracket	1
13	TYW72.000.006	Left Bracket	1
14	TYW72.000.012	Front shield	1
15	4007	Plastic Head Screw M6x15	4
16	1161	Hex Bolt M8x20 DIN 933	7
17	1168	Hex Bolt M8x25 DIN 933	8
18	1209	Hex Bolt M8x30 DIN 933	6
19	1075	Hex Bolt M10x1.25x25 DIN 961	4
20	1021	Hex Bolt M10x1.25x30 DIN 961	8
21	1076	Hex Bolt M10x1.25x45 DIN 961	4
22	1020	Hex Bolt M10x1.5x80 DIN 931	1
23	1003	Hex Bolt M12x1.75x35 DIN 933	8
24	1014	Hex Bolt M12x1.75x130 DIN 931	2
25	3005	Hex Nut Nylock M8 DIN 985	6
26	3020	Hex Nut Nylock M10x1.5 DIN 985	1
27	3001	Hex Nut Nylock M12x1.75 DIN 985	6
28	6003	Washer 8x21 DIN 125	4
29	6098	Washer 8x25 DIN 9021	23
30	6023	Washer 10x21 DIN125	16
31	6010	Washer 10x30 DIN 9021	2
32	6006	Washer 12x27 DIN 125	16
33	6001	Spring washer 8 DIN 127	15
34	6008	Spring washer 10 DIN 127	16
35	6005	Spring washer 12 DIN 127	4



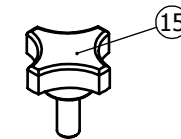
Confidential  
All rights in and to this document are property of ASFIR Ltd. and reserved to it.  
This document is forwarded to the recipient under the condition of and subject  
to the obligation of the recipient to keep the confidentiality of its contents.  
Copying, transfer or distribution of this document or its contents and the use  
of it not for the purpose intended are strictly forbidden.

				Drawing number	Product Description			
CHG.	NAME	SIGN.	DATE	TYW72.000.000	Vehicle Manuf.	TOYOTA		
DWN.	Slava		13.05.13		Vehicle Model	LAND CRUISER 79		
PLN.	David	David	AS	Drawing description	Vehicle Version	4 doors		
CONFIRM	Dani			ATL Winch Bumper	VIN	JTFLB71J8D8038212		
<b>ASFIR LTD.</b>				Sheet 1	Sheets 2	Year of Product.	2012	
				Catalogue number			Gear Shift	Manual
				535001			Motor Model	Diesel
				Weight,kg	69		Transmission	4x4

FRONT  

DETAIL A  
 SCALE 1 : 2



<b>ASFIR LTD.</b>		DRAWING NUMBER		DRAWING DESCRIPTION	
		TYW72.000.000		ATL Winch Bumper	
		CONNECTED TO		VEHICLE	
				TOYOTA LAND CRUISER 79	
Sheet 2	Sheets 2	Scale			