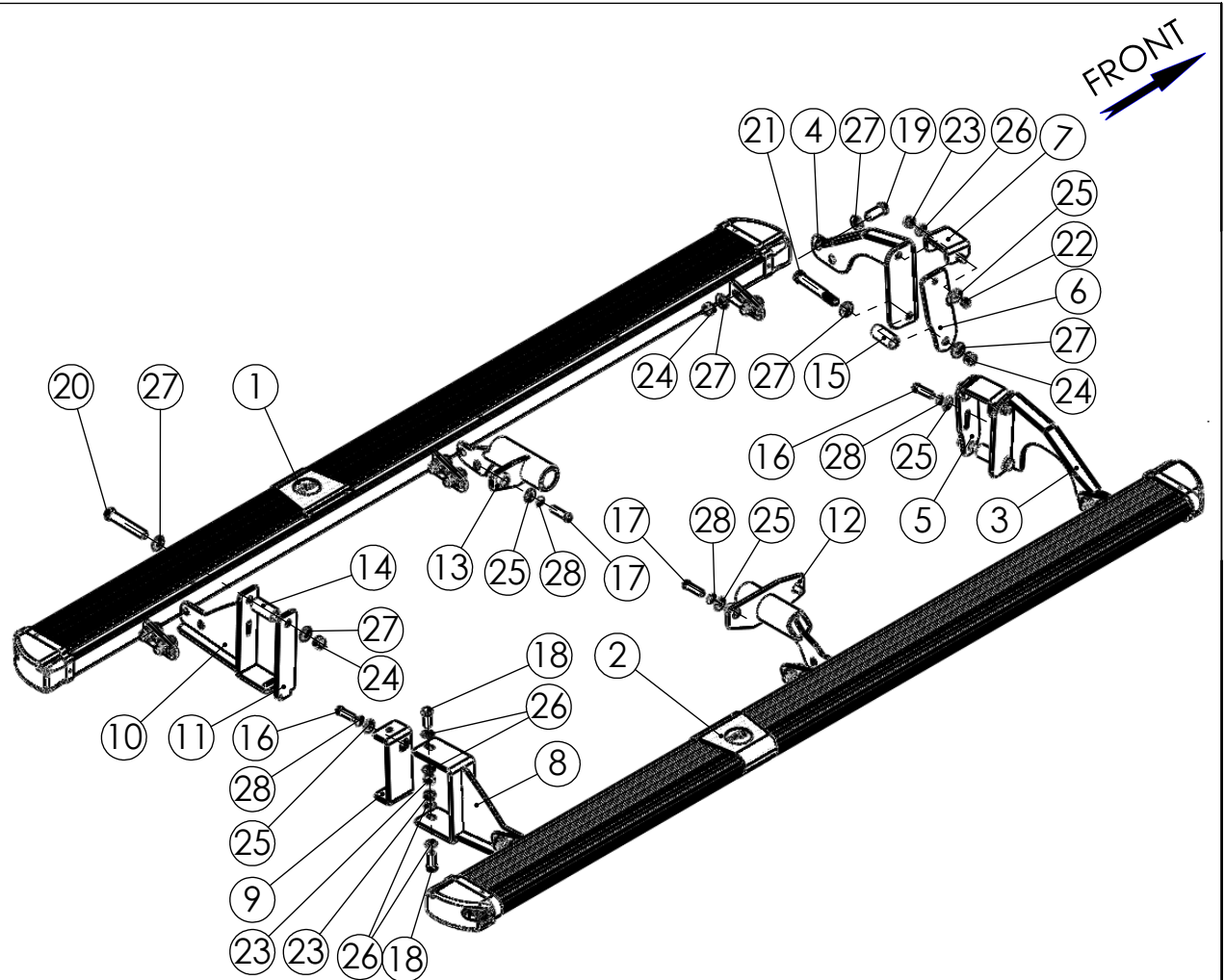


NO.	PART NUMBER	DESCRIPTION	QTY.
1	TYM94.100.000	Left Step	1
2	TYM94.200.000	Step Right	1
3	TYM94.000.002	Right Front Fracket	1
4	TYM94.000.003	Left Front Bracket	1
5	TYM94.000.004	Front Right Support	1
6	TYM94.000.005	Front Left Support	1
7	TYM94.030.000	Connector	2
8	TYM94.040.000	Rear Right Bracket	1
9	TYM94.040.003	Rear Right Support	1
10	TYM94.060.000	Rear Left Bracket	1
11	TYM94.060.003	Rear Left Support	1
12	TYM94.050.000	Middle Right Bracket	1
13	TYM94.070.000	Middle Left Bracket	1
14	8558	Spacer 1/2" L=52 mm	1
15	8558	Spacer 1/2" L=56 mm	2
16	1000	Hex Bolt M8x35 DIN 933	2
17	1002	Hex Bolt M8x40 DIN 933	3
18	1010	Hex Bolt M10x1.5x30 DIN 933	2
19	1003	Hex bolt M12x1.75x35 DIN 933	12
20	1079	Hex Bolt M12x1.75x90 DIN 933	1
21	1059	Hex Bolt M12x1.75x110 DIN 931	2
22	3005	Hex Nut Nylock M8 DIN 985	2
23	3020	Hex Nut Nylock M10x1.5 DIN 985	4
24	3001	Hex Nut Nylock M12x1.75 DIN 985	15
25	6098	Washer 8x25 DIN 9021	7
26	6023	Washer 10x21 DIN125	6
27	6006	Washer 12x27 DIN 125	30
28	6001	Spring washer 8 DIN 127	5



Maximum Tightening Torques	
M8 (8.8)	24 Nm
M10 8.8	48 Nm
M12 (8.8)	83 Nm

Confidential
All rights in and to this document are property of ASFIR Ltd. and reserved to it. This document is forwarded to the recipient under the condition of and subject to the obligation of the recipient to keep the confidentiality of its contents. Copying, transfer or distribution of this document or its contents and the use of it not for the purpose intended-are strictly forbidden.

	NAME	SIGN.	DATE	Drawing number	Product Description	
CHG.				TYM94.000.000	Vehicle Manuf.	TOYOTA
DWN.	Charnay		13.05.13		Vehicle Model	LAND CRUISER 79
PLN.	David			Drawing description	Vehicle Version	4 doors
CONFIRM	Dani			Side Step Protector	VIN	JTFLB71J8D8038212
ASFIR LTD.				Catalogue number	Year of Product.	2012
				535050	Gear Shift	Manual
				Weight,kg 36	Motor Model	Diesel
					Transmission	4x4