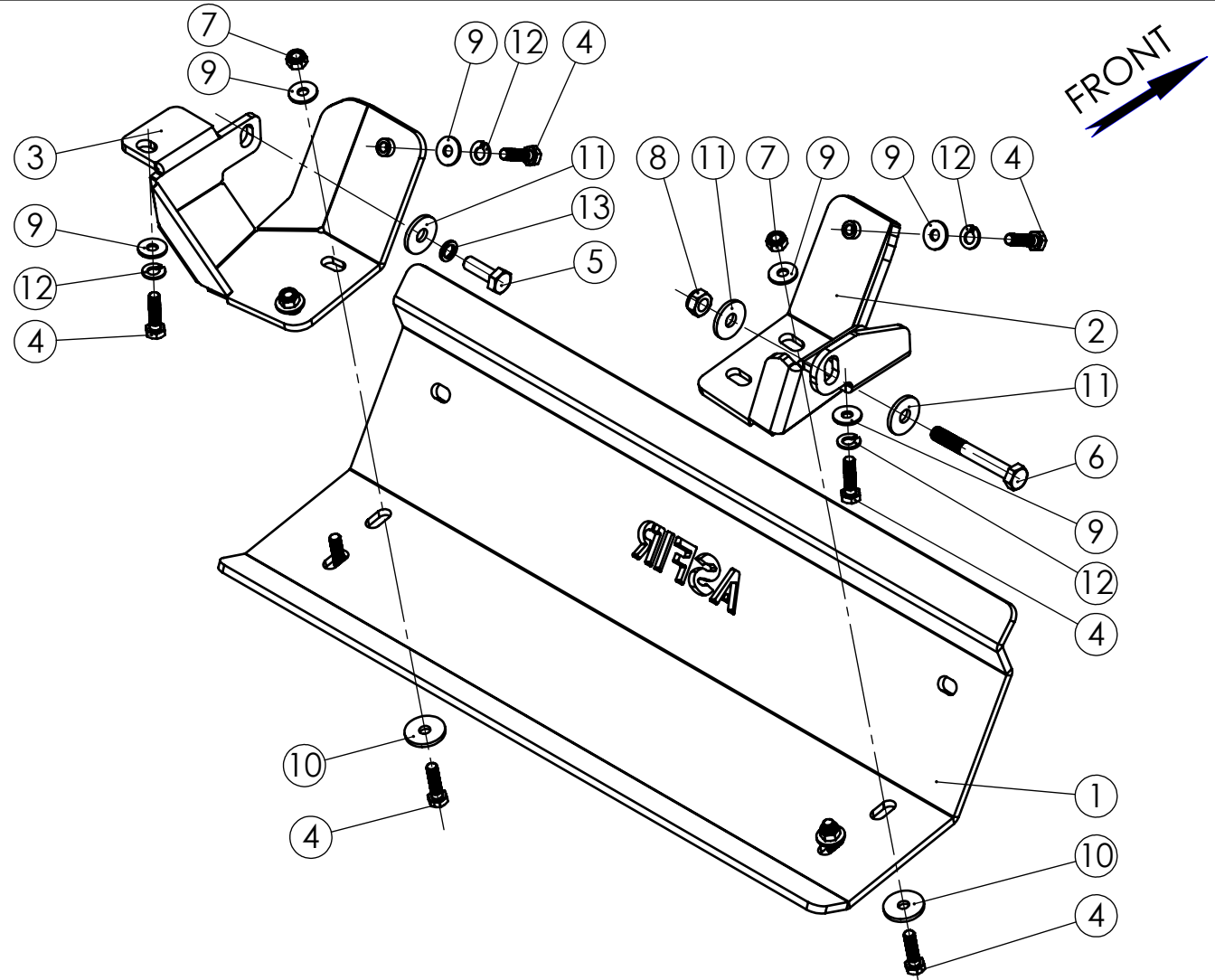


NO.	PART NUMBER	DESCRIPTION	QTY.
1	TYM87.000.001	Skid Plate	1
2	TYM87.000.012	Right Bracket	1
3	TYM87.000.013	Left Bracket	1
4	1209	Hex Bolt M8x30 DIN 933	8
5	1021	Hex Bolt M10x1.25x30 DIN 961	1
6	1020	Hex Bolt M10x1.5x80 DIN 931	1
7	3005	Hex Nut Nylock M8 DIN 985	4
8	3037	Hex Nut Nylock M10x1.5 DIN 985	1
9	6003	Washer 8x21 DIN 125	8
10	6013	Washer 8x30 DIN 9021	4
11	6010	Washer 10x30 DIN 9021	3
12	6001	Spring washer 8 DIN 127	4
13	6008	Spring washer 10 DIN 127	1



				Drawing number	Product Description	
CHG.	NAME	SIGN.	DATE	TYM87.000.000	Vehicle Manuf.	TOYOTA
DWN.	Charnay		09.03.14		Vehicle Model	LAND CRISER 79
PLN.	Charnay		09.06.13		Vehicle Version	4 doors
CONFIRM	David				VIN	JTFLB71J8D8038212
<div style="text-align: center; font-size: 2em; font-weight: bold;">ASFIR LTD.</div>				Drawing description	Steering Rod Skid Plate LH Steering	
				Catalogue number	535057	
				Weight,kg	6.4	
				Year of Product.	2012	
				Gear Shift	Manual	
				Motor Model	Diesel	
				Transmission	4x4	

Confidential

All rights in and to this document are property of ASFIR Ltd. and reserved to it. This document is forwarded to the recipient under the condition of and subject to the obligation of the recipient to keep the confidentiality of its contents. Copying, transfer or distribution of this document or its contents and the use of it not for the purpose intended-are strictly forbidden.