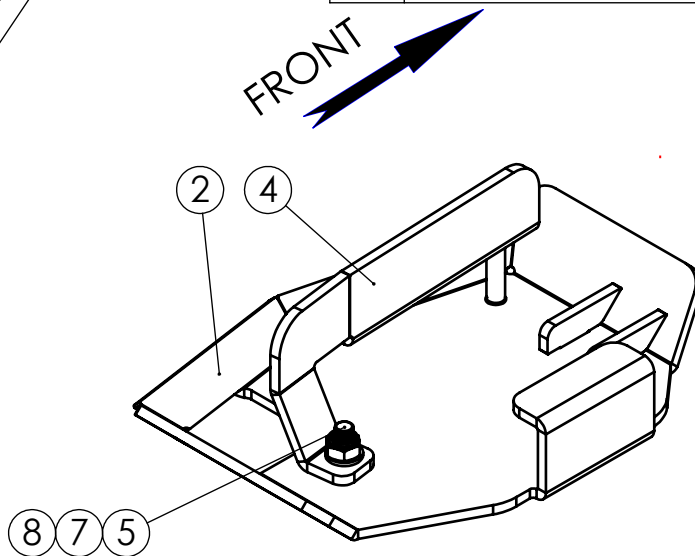


NO.	PART NUMBER	DESCRIPTION	QTY
1	TYM93.010.000	Left Protector	1
2	TYM93.020.000	Right Protector	1
3	TYM93.000.002 L	Left Hug	1
4	TYM93.000.002 R	Right Hug	1
5	1259	Flat socket head cap screw M10x1.5x40 DIN 7991	2
6	1316	Flat socket head cap screw M10x1.5x70.10.9 DIN 7991	2
7	3037	Hex Nut Nylock M10x1.5 DIN 985	4
8	6023	Washer 10x20 DIN125	4



Maximum Tightening Torques	
M10 (8.8)	48 Nm

				Drawing number	Product Description	
CHG.	NAME	SIGN.	DATE	TYM93.000.000	Vehicle Manuf.	TOYOTA
DWN.	Charnay		1.10.14		Vehicle Model	LAND CRUISER 79/LAND CRUISER 78
PLN.	David	<i>David</i>	<i>6/10/14</i>	Drawing description	Vehicle Version	4 doors
CONFIRM	Dani			Lower Leaf Spring and Shock Protector	VIN	JTFLB71J8D8038212
ASFIR LTD.					Catalogue number	Year of Product.
				535068	Gear Shift	Manual
				Weight,kg 8	Motor Model	Diesel
					Transmission	4x4

Confidential
 All rights in and to this document are property of ASFIR Ltd. and reserved to it.
 This document is forwarded to the recipient under the condition of and subject
 to the obligation of the recipient to keep the confidentiality of its contents.
 Copying, transfer or distribution of this document or its contents and the use
 of it not for the purpose intended-are strictly forbidden.