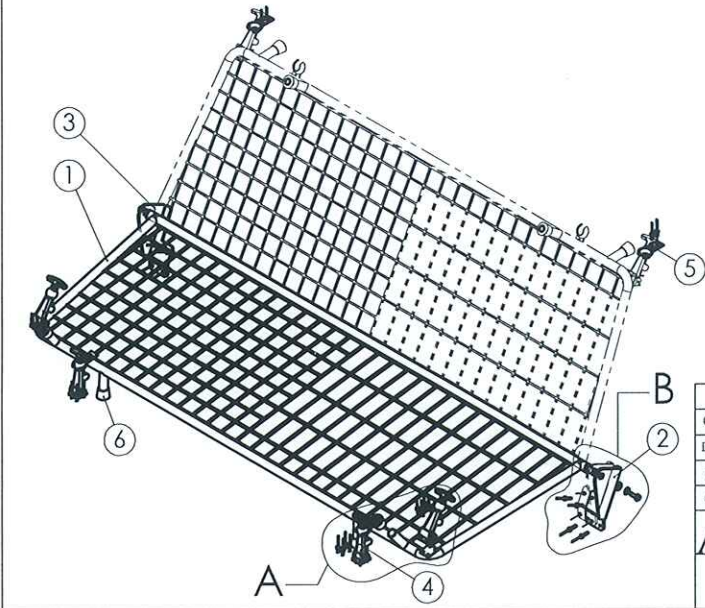
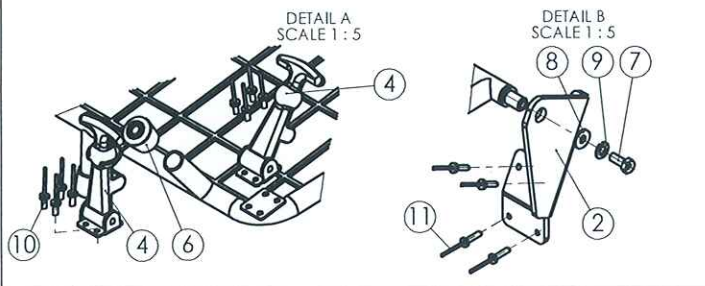


Confidential

All rights in and to this document are property of ASFIR Ltd and reserved to it. This document is forwarded to the recipient under the condition of and subject to the obligation of the recipient to keep the confidentiality of its contents. Copying transfer of distribution of this document or its contents and the use of it not for the purpose intended are strictly forbidden.

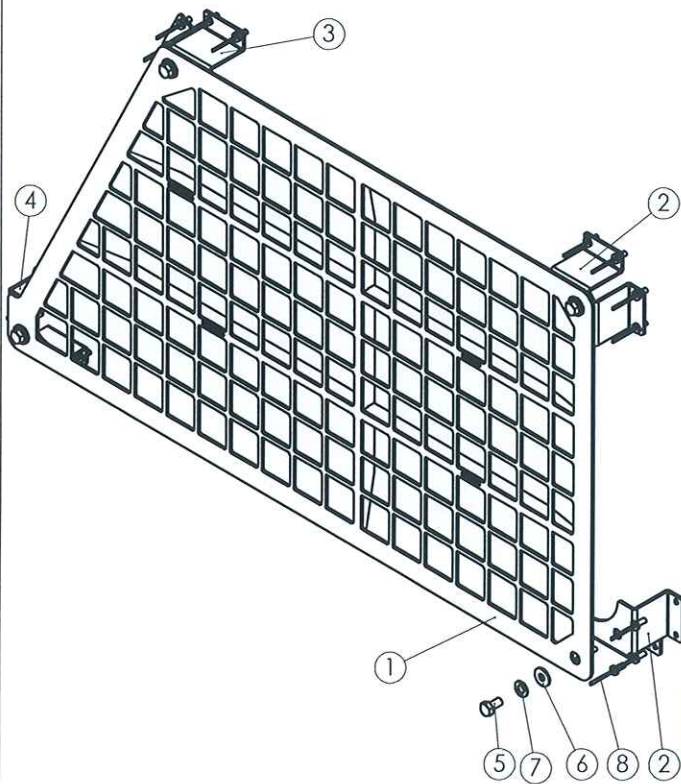


	WORK ORDER	QUANTITY	SIGNATURE	DATE
1	Assembly			

NO.	PART NUMBER	DESCRIPTION	QTY.
1	LRW86.010.100	Grate	1
2	LRW86.010.001	Left bracket	1
3	LRW86.010.002	Right bracket	1
4	1183	סגר גומי	4
5	1183 - 2.1	נגדי מכופף	2
6		כיפת גומי 1/2"	4
7	1161	Hex Bolt M8x20 DIN 933	2
8	6003	Washer 8x20 DIN 125	2
9	6001	Spring washer 8 DIN 127	2
10	8003	Black rivet $\phi$ 5X12	20
11	8005	Black rivet 5x20	8

CHG.	NAME	SIGN.	DATE	DRAWING NUMBER	DRAWING DESCRIPTION	
				LRW86.010.000	Front Grate	
DWN.	Slava		22.09.14			
PLN.	David			CONNECTED TO	VEHICLE	
CONF.	Dani			LRW86.000.000	Land Rover Defender	
<b>ASFIR LTD.</b>				CATALOGUE NUMBER	TOLERANCE	
				538200	General	$\pm$ 1 mm
				MASS, kg: 9.2	Between Holes	$\pm$ 0.5 mm
Sheet	Sheets	Scale	Angular	$\pm$ 30		

Confidential  
 All rights in and to this document are property of ASFIR Ltd. and reserved to it.  
 This document is forwarded to the recipient under the condition of and subject  
 to the obligation of the recipient to keep the confidentiality of its contents.  
 Copying transfer of distribution of this document or its contents and the use  
 of it not for the purpose intended are strictly forbidden.



NO.	PART NUMBER	DESCRIPTION	QTY.
1	LRW86.020.100	Front Left Grate	1
2	LRW86.000.001	Bracket	2
3	LRW86.000.002	Bracket	1
4	LRW86.000.003	Lower bracket	1
5	1046	Hex Bolt M8x16 DIN 933	4
6	6003	Washer 8x20 DIN 125	4
7	6001	Spring washer 8 DIN 127	4
8	8003	Black rivet Ø5X12	16

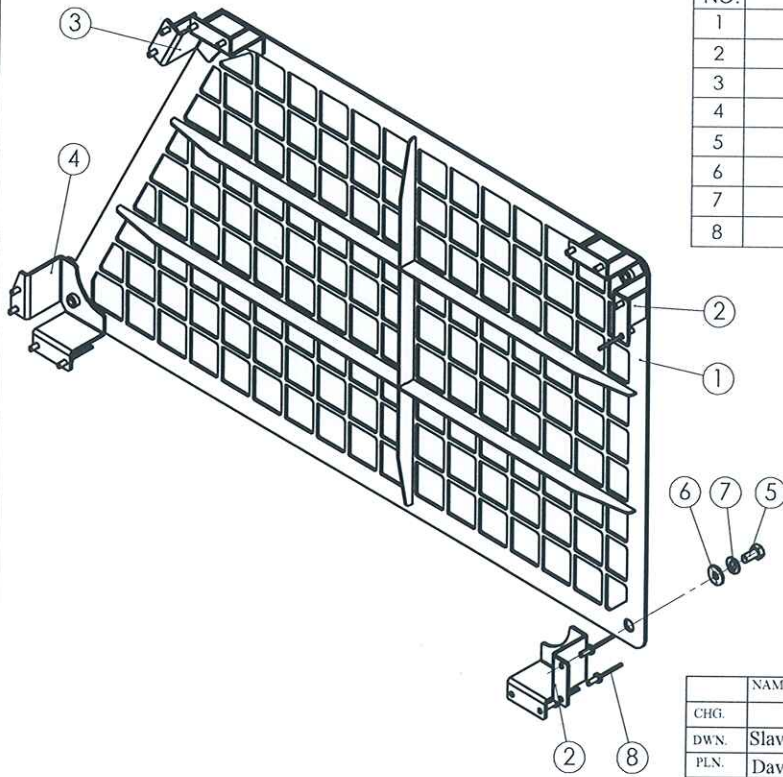
CHG.	NAME	SIGN.	DATE	DRAWING NUMBER	DRAWING DESCRIPTION
DWN.	Slava		18.08.14	LRW86.020.000	Front Left Grate
PLN.	David			CONNECTED TO LRW86.000.000	VEHICLE Land Rover Defender
CONF.	Dani			CATALOGUE NUMBER 538201	TOLERANCE
				MASS, kg: 4.6	General ±1 mm
				Sheet	Between Holes ±0.5 mm
				Sheets	Angular ±30°
				Scale	

**ASFIR LTD.**

\* Dim. for reference.

Confidential

All rights in and to this document are property of ASFIR Ltd and reserved to it. This document is forwarded to the recipient under the condition of and subject to the obligation of the recipient to keep the confidentiality of its contents. Copying transfer of distribution of this document or its contents and the use of it not for the purpose intended are strictly forbidden.



NO.	PART NUMBER	DESCRIPTION	QTY.
1	LRW86.025.100	Front Right Grate	1
2	LRW86.000.001	Bracket	2
3	LRW86.000.002	Bracket	1
4	LRW86.000.005	Lowe right bracket	1
5	1046	Hex Bolt M8x16 DIN 933	4
6	6003	Washer 8x20 DIN 125	4
7	6001	Spring washer 8 DIN 127	4
8	8003	Black rivet Ø5X12	16

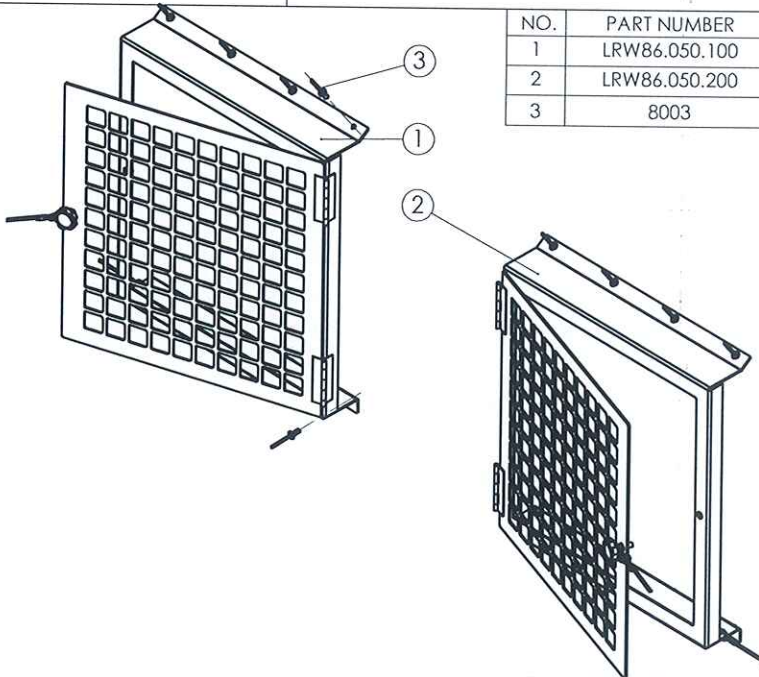
NAME	SIGN.	DATE	DRAWING NUMBER	DRAWING DESCRIPTION
CHG.			LRW86.025.000	Front Right Grate
DWN.	Slava	18.08.14		
PLN.	David		CONNECTED TO	VEHICLE
CONF.	Dani		LRW86.000.000	Land Rover Defender
			CATALOGUE NUMBER	TOLERANCE
			538203	General ±1 mm
			MASS, kg: 4,6	Between Holes ±0,5 mm
			Sheet	Angular ±30°

**ASFIR LTD.**

\* Dim. for reference.

**Confidential**

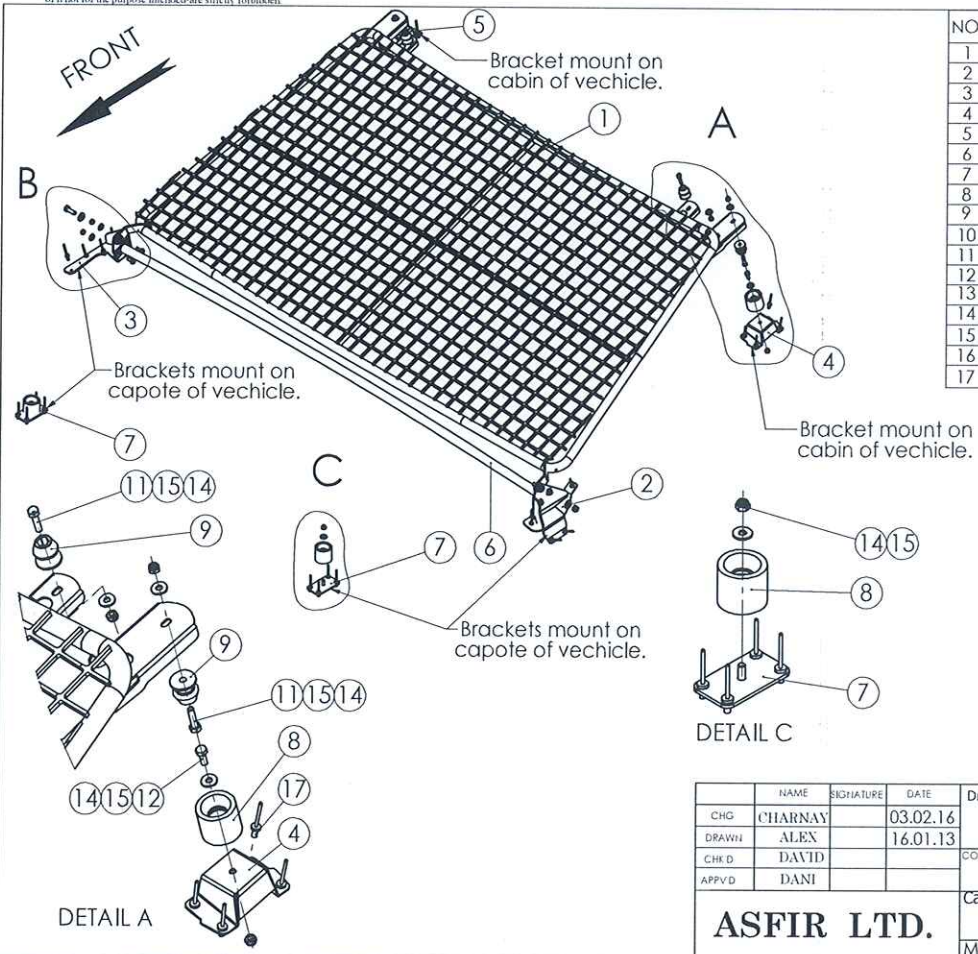
All rights in and to this document are property of ASFIR Ltd. and reserved to it. This document is forwarded to the recipient under the condition of and subject to the obligation of the recipient to keep the confidentiality of its contents. Copying transfer of distribution of this document or its contents and the use of it not for the purpose intended are strictly forbidden.



NO.	PART NUMBER	DESCRIPTION	QTY.
1	LRW86.050.100	Right Light Protector	1
2	LRW86.050.200	Left Light Protector	1
3	8003	Rivet Ø5x12	16

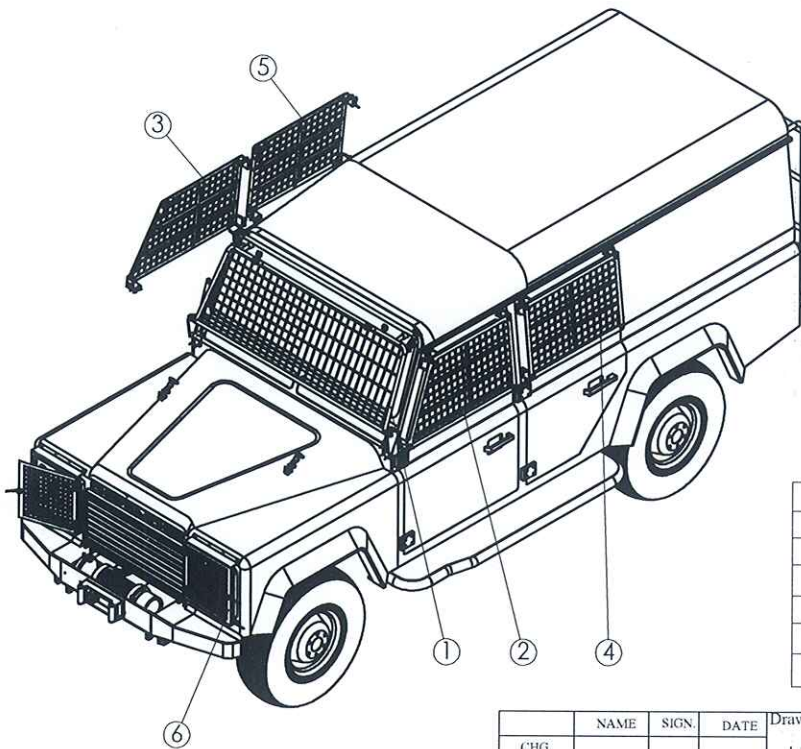
NAME	SIGN.	DATE	DRAWING NUMBER	DRAWING DESCRIPTION
CHG.			LRW86.250.000	Front Light Protectors
DXF				
DWN.	Slava	25.08.14	CONNECTED TO	VEHICLE
PLN.	David		LRW86.000.000	Land Rover Defender
CONF.	Dani		CATALOGUE NUMBER	
<b>ASFIR LTD.</b>			TOLERANCE	
			MASS, kg: 5.2	General ±1 mm
			PERIMETER, mm	Between Holes ±0.5 mm
			Sheet	Angular ±30°

Confidential  
 All rights in and to this document are property of ASFIR Ltd and reserved to it.  
 This document is forwarded to the recipient under the condition of and subject  
 to the obligation of the recipient to keep the confidentiality of its contents.  
 Copying, transfer or distribution of this document or its contents and the use  
 of it not for the purpose intended are strictly forbidden.



NO.	PART NUMBER	DESCRIPTION	QTY
1	ISW67.010.010	CLAMP	1
2	ISW67.010.020	LEFT LOWER BRACKET	1
3	ISW67.010.029	RIGHT LOWER BRACKET	1
4	ISW67.010.031	LEFT UPPER BRACKET	1
5	ISW67.010.037	RIGHT UPPER BRACKET	1
6	ISW67.010.040	LOWER PIPE	1
7	ISW67.030.040	CONNECTOR	2
8	101051	Ruber Bush	4
9	101050	Plastic stopper	4
10	1168	Hex Bolt M8x25 DIN 933	2
11	1167	Hex Bolt M6x25 DIN 933	4
12	1133	Hex Bolt M6x16 DIN 933	6
13	3005	Hex Nut Nylock M8 DIN 985	2
14	3006	Hex Nut Nylock M6 DIN 985	12
15	6018	Washer 6x16	12
16	6003	Washer 8x20 DIN 125	4
17	8003	SF48110D Black Rivet Ø5x11	25

NAME	SIGNATURE	DATE	Drawing number	Drawing description
CHG	CHARNAY	03.02.16	ISW67.010.000	FRONT GRATE
DRAWN	ALEX	16.01.13	CONNECTED TO:	VEHICLE
CHK D	DAVID		ISW67.000.000	ISUZU D-MAX 2013
APPVD	DANI		Catalog number:	TOLERANCES:
<b>ASFIR LTD.</b>			530360	General ±1 mm
			MASS, kg: 15.8	Between Holes ±0.5 mm
				Angular ±30°



NO.	PART NUMBER	DESCRIPTION	QTY.
1	LRW86.010.000	Front Grate	1
2	LRW86.020.000	Front Left Grate	1
3	LRW86.025.000	Front Right Grate	1
4	LRW86.030.000	Rear Left Grate	1
5	LRW86.035.000	Rear Right Grate	1
6	LRW86.050.000	Front Light Protectors	1

CHG.	NAME	SIGN.	DATE	Drawing number	Product Description	
DWN.	Slava		23.09.14	LRW86.000.000	Vehicle Manufacturer	Land Rover
PLN.	David			Drawing description	Vehicle Model	Defender
CONFIRM	Dani			Grates	Vehicle Version	5 doors
<b>ASFIR LTD.</b>				Catalogue number	Year of Production	
				538207	Gear Shift	Manual
				Weight 32.6	Motor Model	Diesel
				Sheet	Sheets 1	Transmission

Confidential  
 All rights in and to this document are property of ASFIR Ltd and reserved to it.  
 This document is forwarded to the recipient under the condition of and subject  
 to the obligation of the recipient to keep the confidentiality of its contents.  
 Copying transfer of distribution of this document or its contents and the use  
 of it not for the purpose intended-are strictly forbidden.