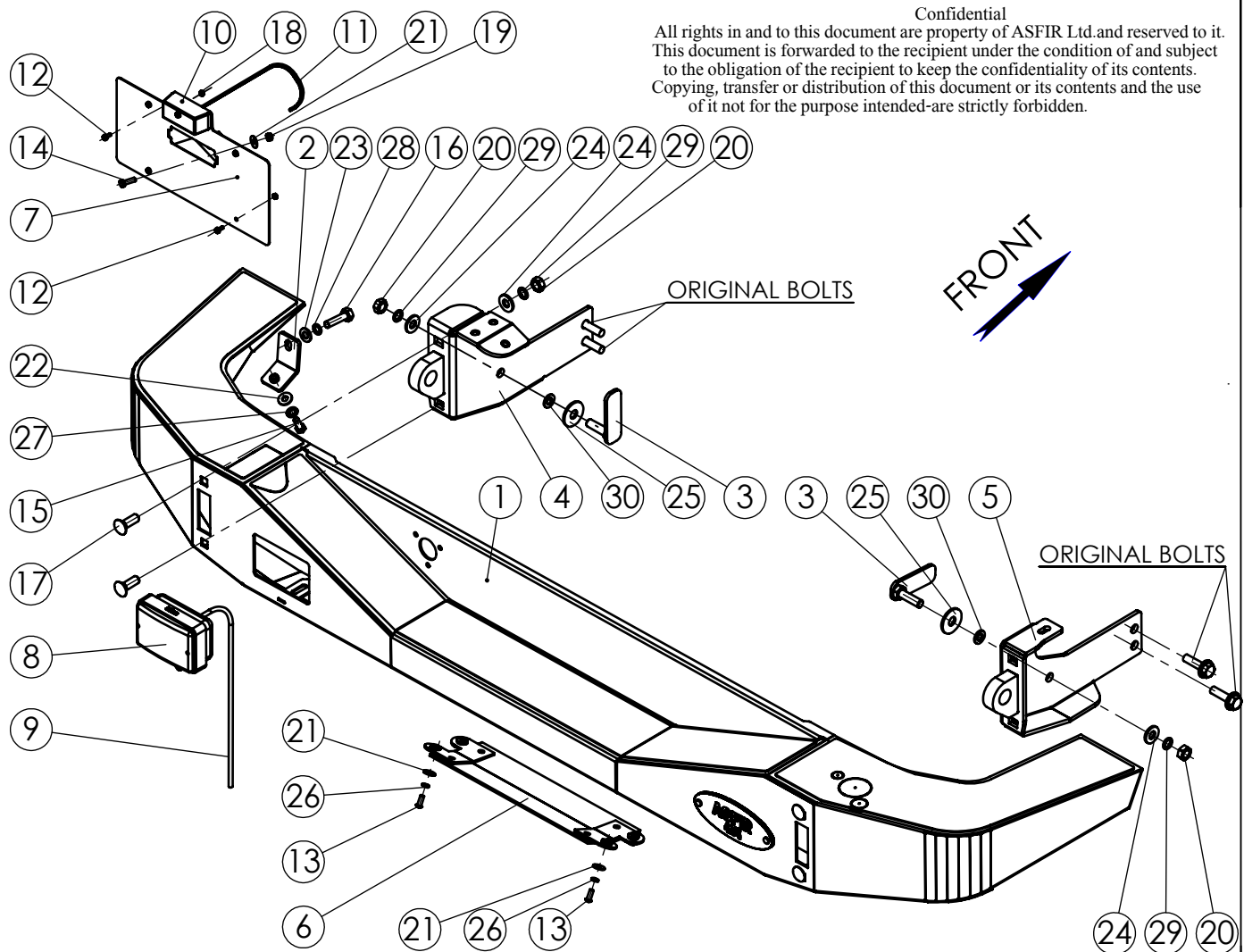


ITEM NO.	PART NUMBER	DESCRIPTION	QTY
1	JPW49.100.000	BUMPER	1
2	JPW27.000.004	BRACKET	2
3	JPW27.000.005	BOLT + FLAT	2
4	JPW27.020.000	LEFT BRACKET	1
5	JPW27.020.000R	RIGHT BRACKET	1
6	JPW39.020.000U	COVER	1
7	JPW27.090.000	PLATE	1
8	950037	REAR VOLT 12V-21W BRITAX	1
9	4301	Electric Cable 2G 1.5mm ² L=500	1
10	2600	LICENSE PLATE LIGHT DASTERI 8060/42 12V-5W	1
11	4303	DOUBLE SIDED ELECTRIC CABLE L=900	1
12	1153	Hex bolt philips M4X10 DIN 7985	6
13	1267	Black Button head socket cap allen screw M6x16 ISO 7380	4
14	1104	Hex Bolt M6x20 DIN 933	2
15	1161	Hex bolt M8x20 DIN 933	2
16	1072	Hex bolt M10x1.5x40 DIN 933	2
17	1268	Black Mushroom head square neck Bolt M12x1.75x35 DIN 603	4
18	3039	Hex Nut Nylock M4 DIN 985	6
19	3006	Hex Nut Nylock M6 DIN 985	2
20	3034	Hex Nut M12x1.75 DIN 934	6
21	6011	Washer 6x18 DIN 9021	6
22	6003	Washer 8x20 DIN 125	2
23	6023	Washer 10x20 DIN 125	2
24	6006	Washer 12x24 DIN 125	6
25	6039	Washer 12x40 DIN 9021	2
26	6009	Spring washer 6 DIN 127	4
27	6001	Spring washer 8 DIN 127	2
28	6008	Spring washer 10 DIN 127	2
29	6005	Spring washer 12 DIN 127	6
30	6021	Cardboard washer 10x21x0.5	2



Confidential
 All rights in and to this document are property of ASFIR Ltd. and reserved to it. This document is forwarded to the recipient under the condition of and subject to the obligation of the recipient to keep the confidentiality of its contents. Copying, transfer or distribution of this document or its contents and the use of it not for the purpose intended are strictly forbidden.

Maximum Tightening Torques	
M8	25 Nm
M10 (8.8)	50 Nm
M12 (8.8)	85 Nm

NAME	SIGN.	DATE	Drawing number	Product Description	
CHG. David		05.04.17	JPW49.000.000	Vehicle Manuf.	JEEP
DWN. Slava		28.03.11		Vehicle Model	JK WRANGLER
PLN. David		05.04.17	Drawing description	Vehicle Version	LWB/SWB
CONFIRM. Dani			REAR BUMPER	VIN	1C4HJWFG8CL143062
ASFIR LTD.			Catalogue number	Year of Product.	2007-2017
			547037	Gear Shift	AUTOMATIC
			Weight,kg 29.5	Motor Model	PETROL 3.8L; 3.6L DIESEL 2.8 JWF5
				Transmission	4X4