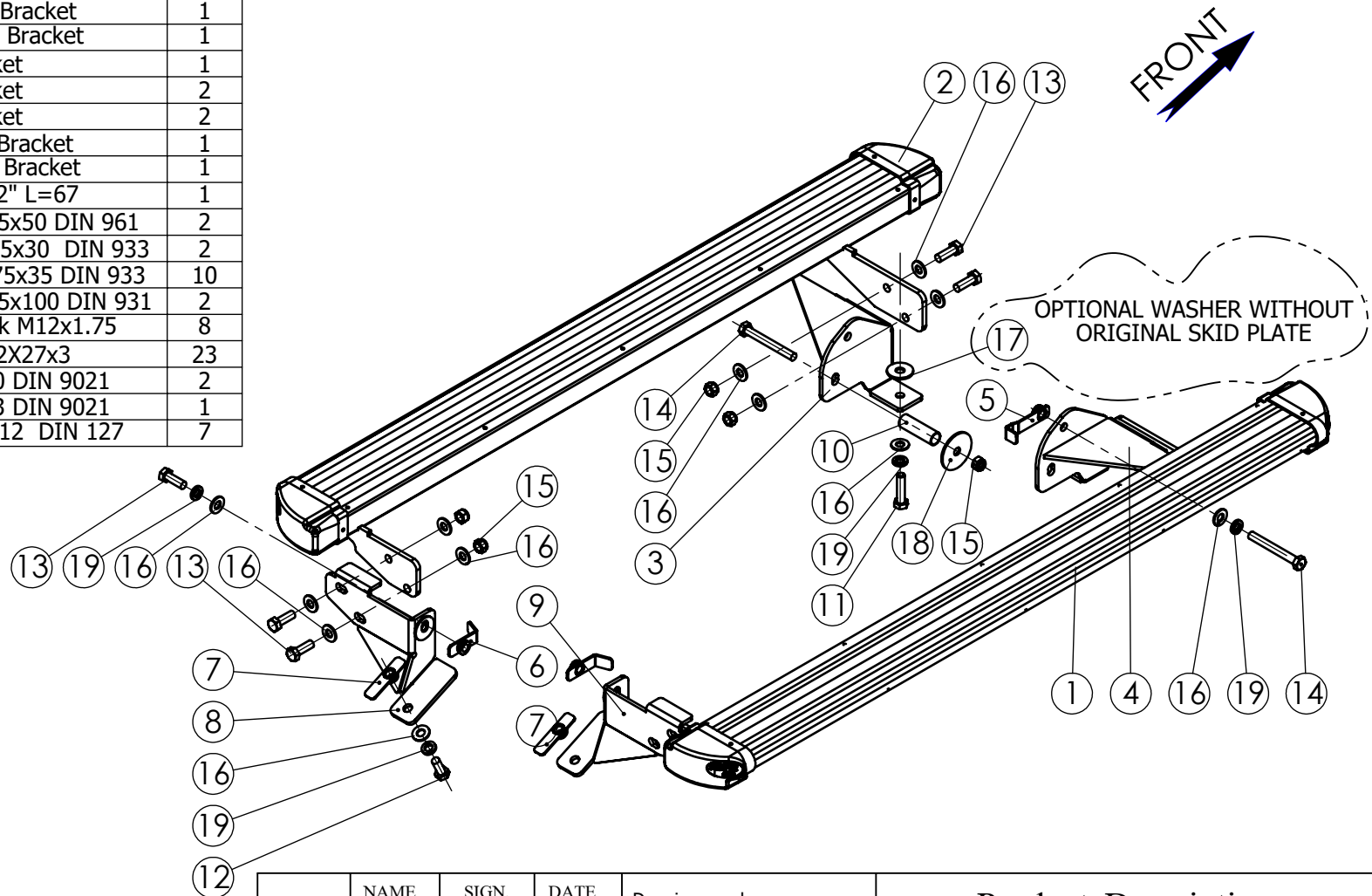


NO.	PART NUMBER	DESCRIPTION	QTY.
1	JPM69.100.000	Right Step Protector	1
2	JPM69.100.000L	Left Step Protector	1
3	JPM31.000.001L	Front Left Bracket	1
4	JPM31.000.001R	Front Right Bracket	1
5	JPM31.020.000	Bracket	1
6	JPM31.030.000	Bracket	2
7	JPM31.040.000	Bracket	2
8	JPM60.030.000	Rear Left Bracket	1
9	JPM60.040.000	Rear Right Bracket	1
10	8550	Spacer 1/2" L=67	1
11	1233	Hex Bolt M12x1.5x50 DIN 961	2
12	1012	Hex Bolt M12x1.75x30 DIN 933	2
13	1003	Hex bolt M12x1.75x35 DIN 933	10
14	1028	Hex Bolt M12x1.75x100 DIN 931	2
15	3001	Hex Nut Nylock M12x1.75	8
16	6006	Washer 12X27x3	23
17	6039	Washer 12x40 DIN 9021	2
18	6062	Washer 12x63 DIN 9021	1
19	6005	Spring washer 12 DIN 127	7



Maximum Tightening Torques	
M12 (8.8)	85 Nm

	NAME	SIGN.	DATE
CHG.	David		05.04.17
DWN.	Charnay		29.05.11
CHKD.	David		05.04.17
CONFIRM	Dani		

ASFIR LTD.

Drawing number		Product Description	
JPM69.000.000		Vehicle Manuf.	JEEP
Drawing description		Vehicle Model	WRANGLER JK
SIDE STEP PROTECTOR		Vehicle Version	SWB
Black		Year of Product.	2007-2017
Catalogue number		Gear Shift	Automatic
547038		Motor Model	Petrol 3.8L;3.6L
Weight,kg 29		Transmission	4X4

Confidential

All rights in and to this document are property of ASFIR Ltd. and reserved to it. This document is forwarded to the recipient under the condition of and subject to the obligation of the recipient to keep the confidentiality of its contents. Copying, transfer or distribution of this document or its contents and the use of it not for the purpose intended-are strictly forbidden.