

ITEM NO.	PART NUMBER	DESCRIPTION	QTY.
1	JPM61.000.001	SKID PLATE	1
2	JPM61.010.000	REAR BRACKET	1
3	JPM61.020.000	FRONT BRACKET	1
4	1048	Hex Bolt M10x25 DIN933	4
5	6023	Washer 10x21 DIN 125	4
6	6008	Spring washer 10 DIN 127	4

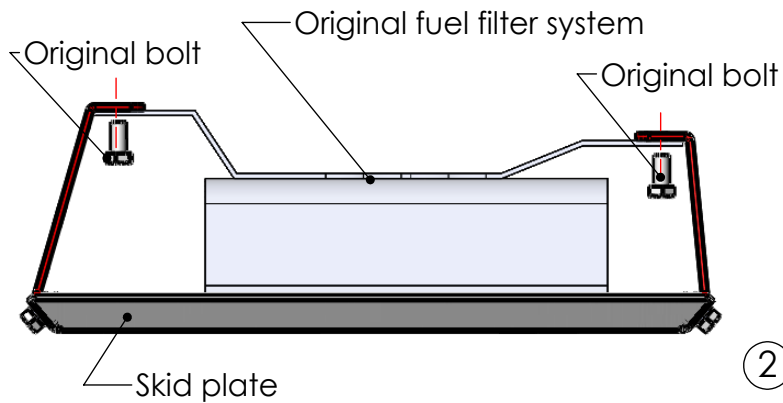
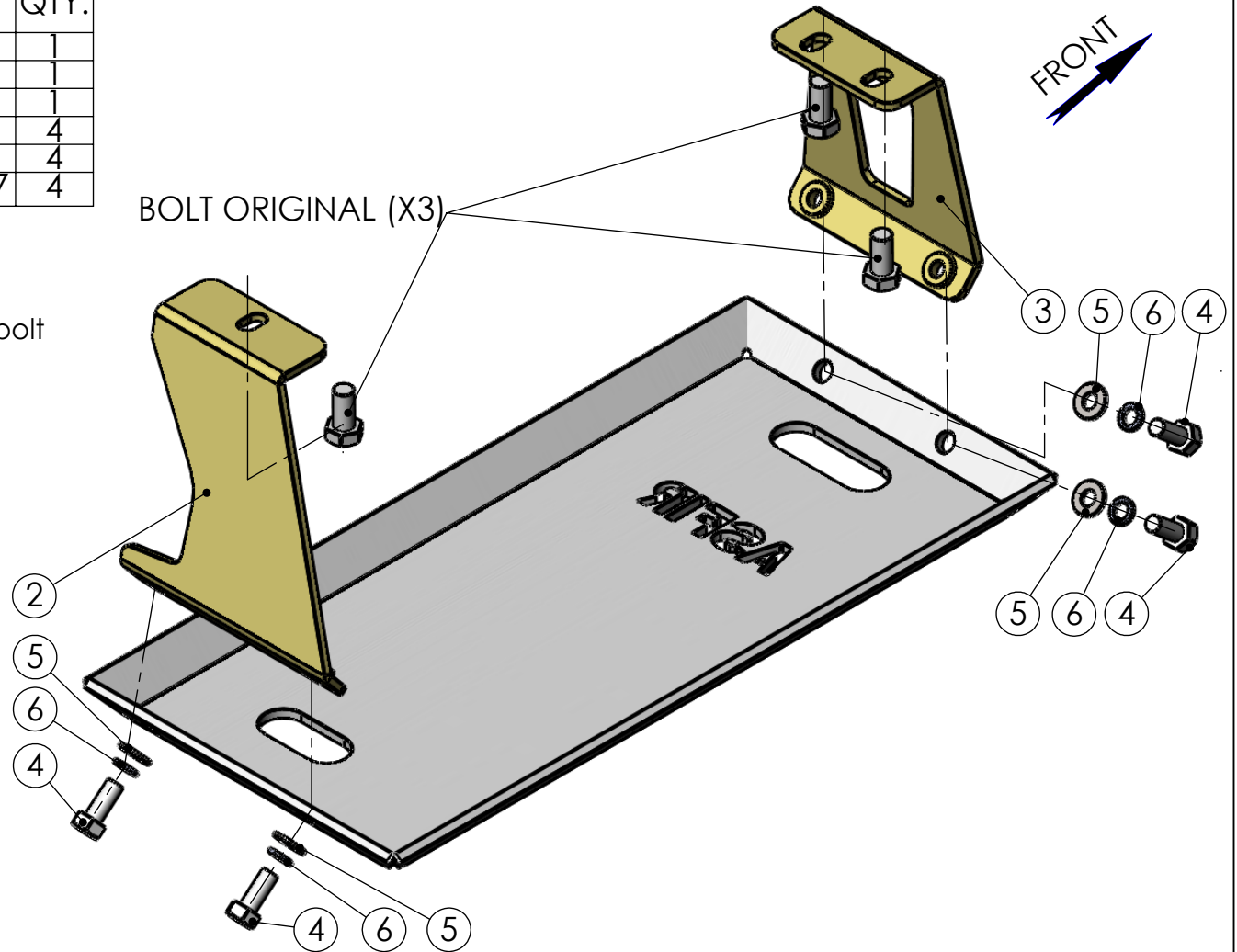


Fig. 1
Mounting of the skid plate

Note!

Mount the skid plate jointly with original fuel filter system in accordance with Fig. 1



			Drawing number		Product Description	
CHG.	Charnay	21.12.11	JPM61.000.000		Vehicle Manufacturer	Jeep
DWN.	Charnay	08.08.10			Vehicle Model	JK Wrangler
PLN.	David	21.12.11	Drawing description Plastic Fuel Filter System Skid Plate		Vehicle Version	LWB/SWB
CONFIRM	Dani				Year of Production	2007-2011
ASFIR LTD.			Catalogue number 547075		Gear Shift	Automatic
					Motor Model	Petrol 3.8L
			Weight,kg	3.3	Sheet	Sheets 1

Confidential

All rights in and to this document are property of ASFIR Ltd. and reserved to it. This document is forwarded to the recipient under the condition of and subject to the obligation of the recipient to keep the confidentiality of its contents. Copying transfer of distribution of this document or its contents and the use of it not for the purpose intended-are strictly forbidden.