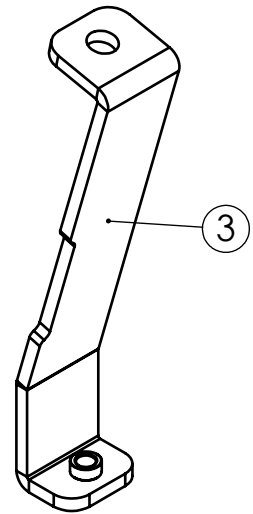
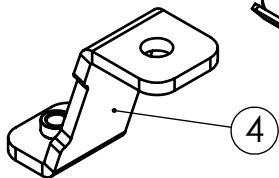


ITEM NO.	PART NUMBER	DESCRIPTION	QTY.
1	JPM74.000.001	FUEL TANK SKID PLATE	1
2	JPM43.000.002	REAR LEFT BRACKET	1
3	JPM43.000.003	CENTER LEFT BRACKET	1
4	JPM43.000.004	FRONT RIGHT BRACKET	1
5	JPM43.000.005	MIDDLE RIGHT BRACKET	1
6	JPM43.000.006	REAR RIGHT BRACKET	1
7	JPM43.000.007	SPACER	2
8	JPM43.000.008	SPACER	1
9	1168	Hex Bolt M8x25 DIN 933	5
10	6003	Washer 8x20 DIN 125	5
11	6001	Spring washer 8 DIN 127	5

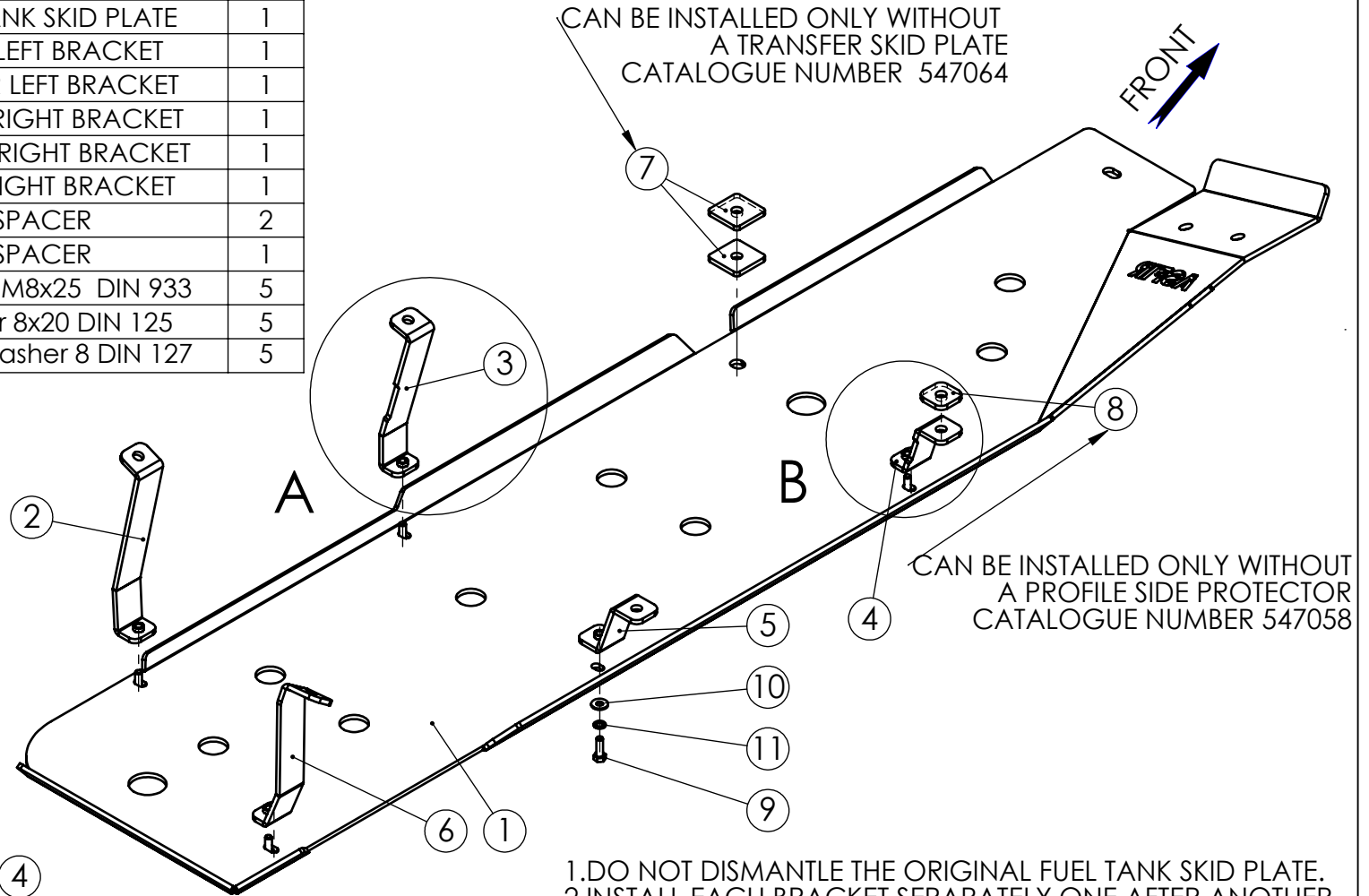
CAN BE INSTALLED ONLY WITHOUT
A TRANSFER SKID PLATE
CATALOGUE NUMBER 547064



DETAIL A
SCALE 1 : 3



DETAIL B
SCALE 1 : 3



CAN BE INSTALLED ONLY WITHOUT
A PROFILE SIDE PROTECTOR
CATALOGUE NUMBER 547058

- 1.DO NOT DISMANTLE THE ORIGINAL FUEL TANK SKID PLATE.
- 2.INSTALL EACH BRACKET SEPARATELY ONE AFTER ANOTHER.

			NAME	SIGN.	DATE	Drawing number	Product Description	
CHG.	David		04.04.17			JPM74.000.000	Vehicle Manufacturer	Jeep
DWN.	Charnay		21.12.11				Vehicle Model	JK Wrangler
PLN.	David		04.04.17				Vehicle Version	LWB
CONFIRM	Dani					Drawing description	Year of Production	2007 - 2017
ASFIR LTD.						Fuel Tank Skid Plate	Catalogue number	Automatic
							547078	Petrol 3.8L; 3.6L
						Weight,kg 15	Transmission	4 x 4

Confidential
All rights in and to this document are property of ASFIR Ltd.and reserved to it.
This document is forwarded to the recipient under the condition of and subject
to the obligation of the recipient to keep the confidentiality of its contents.
Copying transfer of distribution of this document or its contents and the use
of it not for the purpose intended-are strictly forbidden.