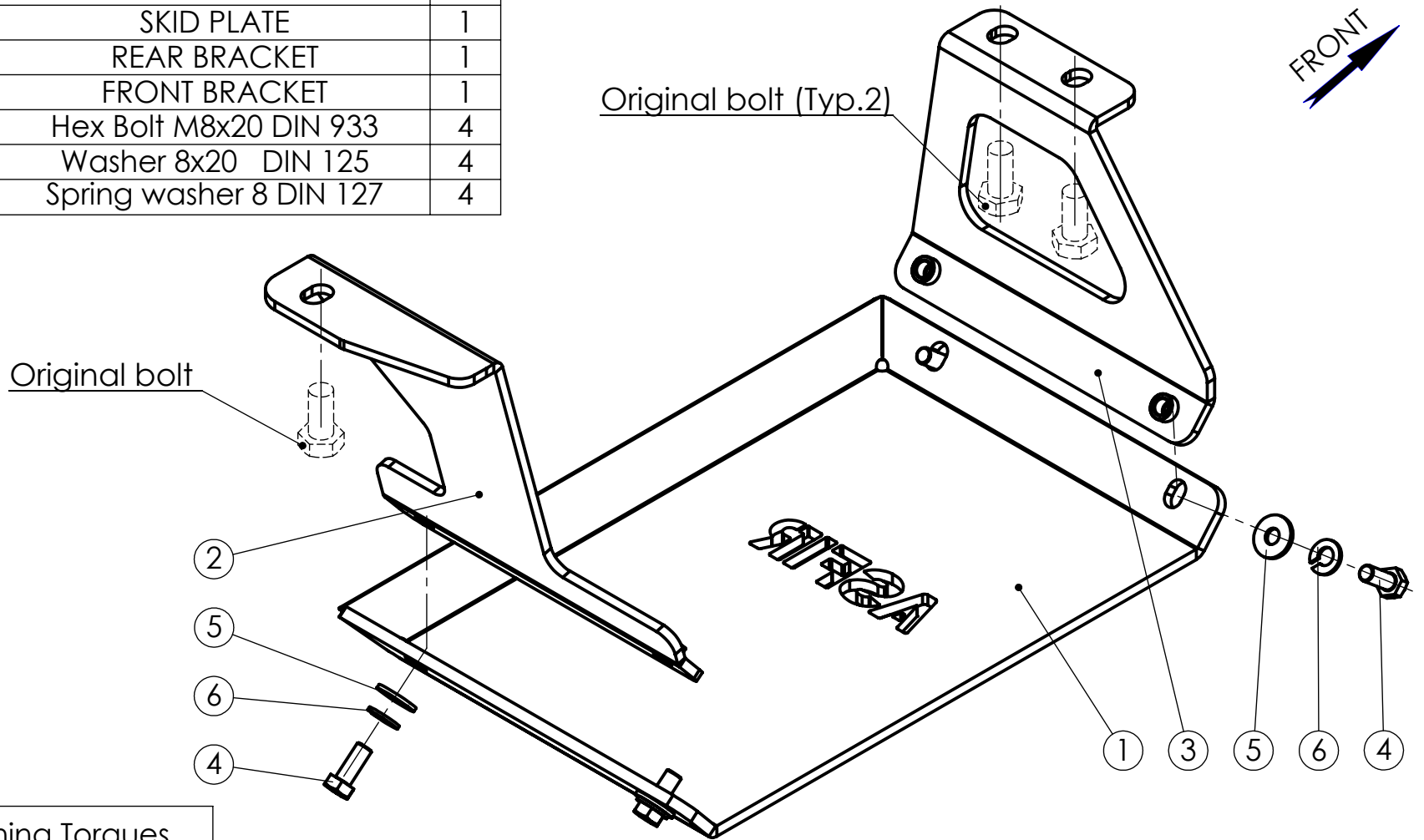


NO.	PART NUMBER	DESCRIPTION	QTY.
1	JPM71.000.001	SKID PLATE	1
2	JPM71.010.000	REAR BRACKET	1
3	JPM71.020.000	FRONT BRACKET	1
4	1161	Hex Bolt M8x20 DIN 933	4
5	6003	Washer 8x20 DIN 125	4
6	6001	Spring washer 8 DIN 127	4



Maximum Tightening Torques

M8 (8.8)

25 Nm

	NAME	SIGN.	DATE
CHG.	David		04.04.17
DWN.	Charnay		15.12.11
PLN.	David		04.04.17
CONFIRM	Dani		

ASFIR LTD.

Drawing number
JPM71.000.000

Drawing description
Plastic Fuel Filter System Skid Plate

Catalogue number
547079

Weight, kg : 3.2

Product Description

Vehicle Manuf.	Jeep
Vehicle Model	JK Wrangler
Vehicle Version	LWB/SWB
VIN	1C4HJWFG8CL143062
Year of Product.	2012-2017
Gear Shift	Automatic
Motor Model	Petrol 3.6L
Transmission	4 x 4

Confidential
All rights in and to this document are property of ASFIR Ltd. and reserved to it. This document is forwarded to the recipient under the condition of and subject to the obligation of the recipient to keep the confidentiality of its contents. Copying transfer of distribution of this document or its contents and the use of it not for the purpose intended-are strictly forbidden.