

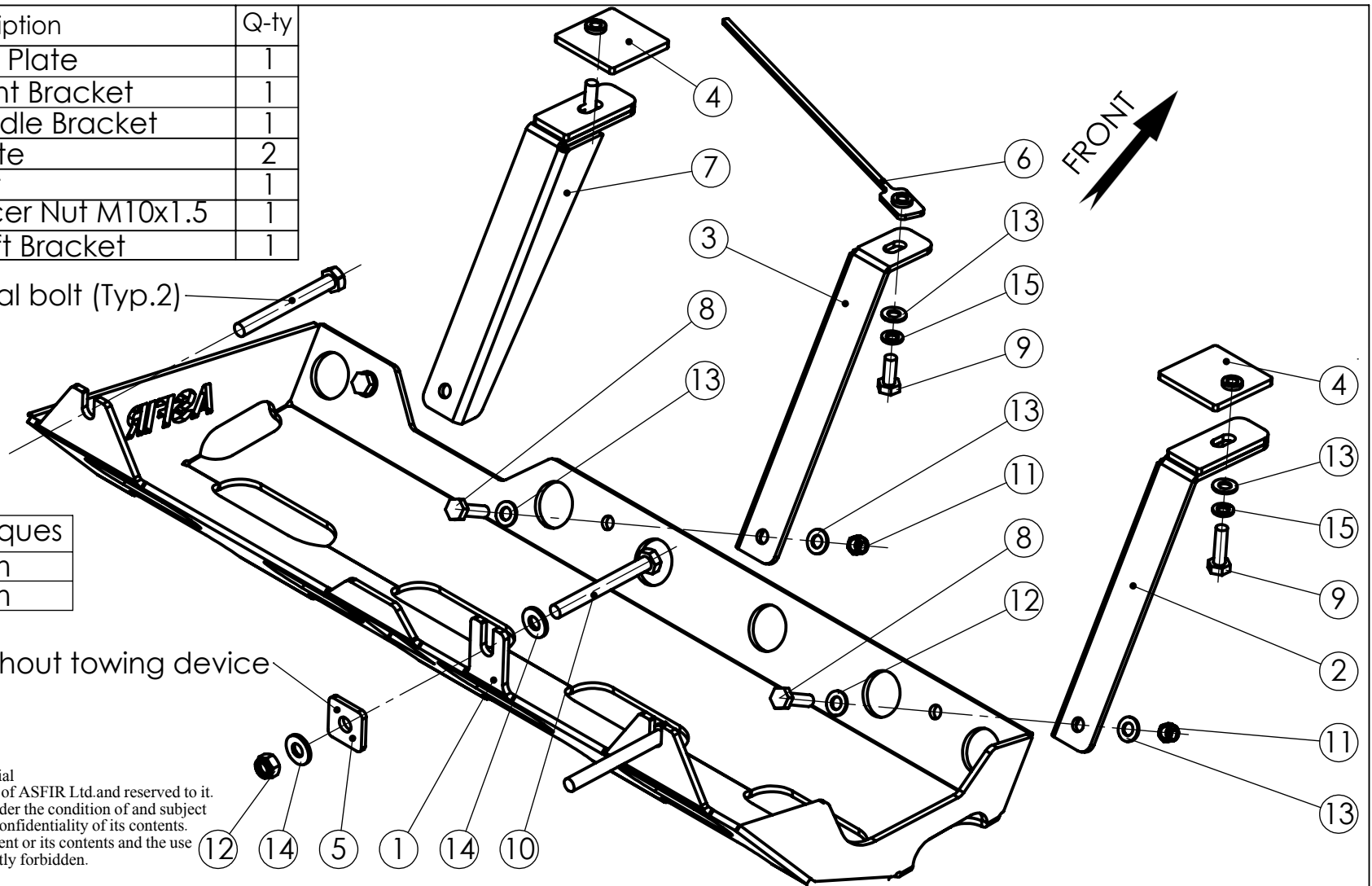
Item	Part number	Description	Q-ty
1	JPM39.000.001	Skid Plate	1
2	JPM39.010.000	Right Bracket	1
3	JPM39.000.003	Middle Bracket	1
4	JPM39.000.004	Plate	2
5	JPM39.000.005	Flat	1
6	JPM39.000.006	Spacer Nut M10x1.5	1
7	JPM39.010.000L	Left Bracket	1

Original bolt (Typ.2)

Maximum Tightening Torques	
M10 (8.8)	50 Nm
M12 (8.8)	85 Nm

Option spacer without towing device

Confidential  
 All rights in and to this document are property of ASFIR Ltd. and reserved to it.  
 This document is forwarded to the recipient under the condition of and subject  
 to the obligation of the recipient to keep the confidentiality of its contents.  
 Copying transfer of distribution of this document or its contents and the use  
 of it not for the purpose intended are strictly forbidden.



Item	Part number	Description	Q-ty	NAME	SIGN.	DATE	Drawing number	Product Description				
8	1048	Hex Bolt M10x1.5x25 DIN 933	3	CHG.	David	04.04.17	JPM39.000.000	Vehicle Manufacturer	Jeep			
9	1010	Hex Bolt M10x1.5x30 DIN 933	3	DWN.	Charnay	29.10.07		Vehicle Model	JK Wrangler			
10	1059	Hex Bolt M12x1.75x110 DIN 931	1	CHKD.	David	04.04.17	Drawing description	Vehicle Version	LWB/SWB			
11	3020	Hex Nut Nylock M10x1.5 DIN 985	3	CONFIRM	Dani		Exhaust Skid Plate	Year of Production	2007-2017			
12	3001	Hex Nut Nylock M12x1.75 DIN 985	1	<b>ASFIR LTD.</b>				Gear Shift	Automatic			
13	6023	Washer 10x20DIN 125	9				Catalogue number	547080	Motor Model	Petrol 3.8L; 3.6L Diesel 2.8 JWF5		
14	6006	Washer 12x24 DIN 125	2				Weight,kg	9.5	Sheets	1	Transmission	4 x 4
15	6008	Spring washer 10 DIN 127	3									