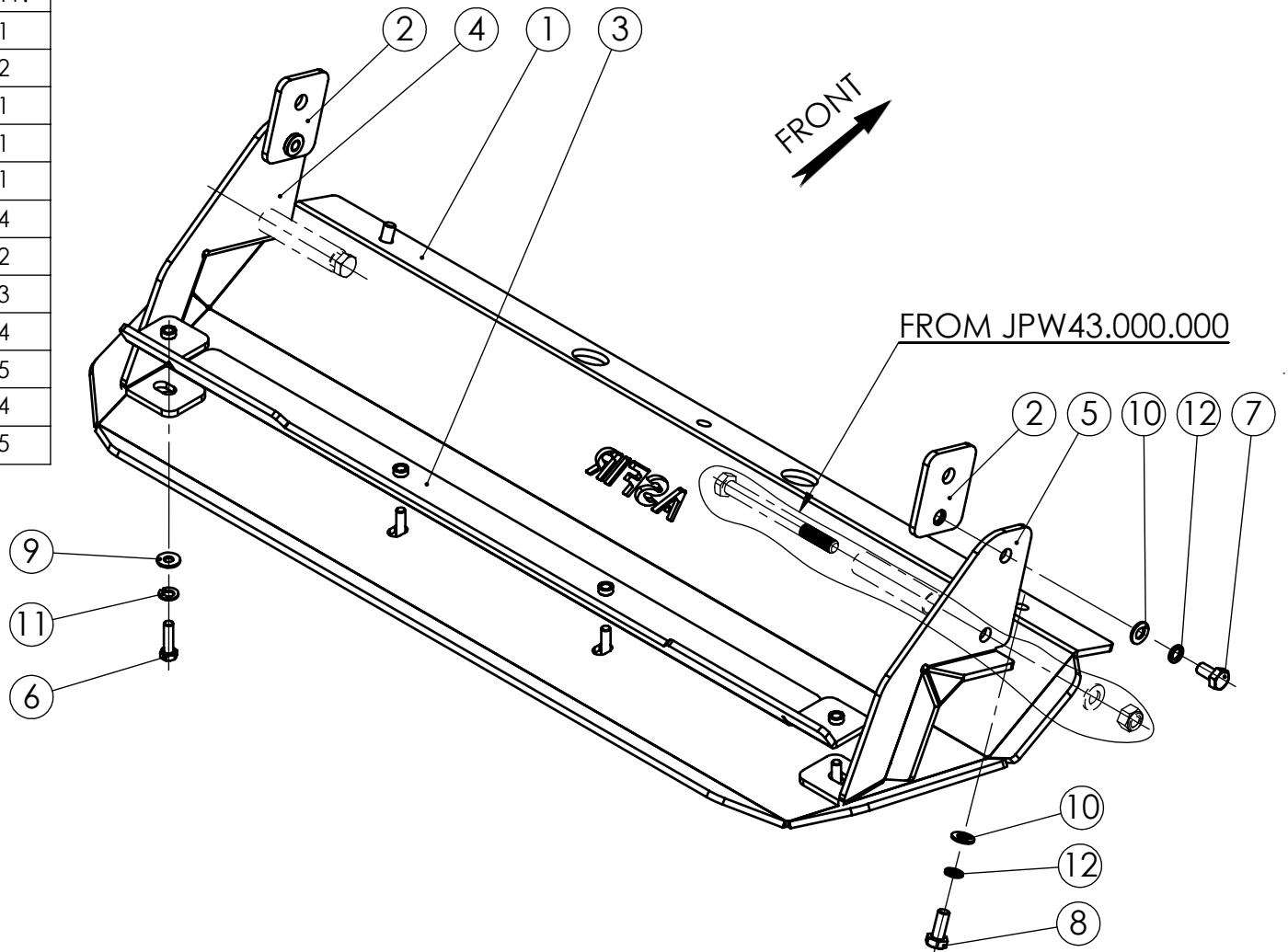


NO.	PART NUMBER	DESCRIPTION	QTY.
1	JPW26.000.002	Skid Plate	1
2	JPM34.010.000	Bracket	2
3	JPM34.020.000	Rear bracket	1
4	JPM34.050.000L	Left Bracket	1
5	JPM34.050.000R	Right Bracket	1
6	1209	Hex bolt M8x30 DIN 933	4
7	1139	Hex Bolt M10x1.5x20 DIN 933	2
8	1048	Hex bolt M10x1.5x25 DIN933	3
9	6003	Washer 8x20 DIN 125	4
10	6023	Washer 10x20 DIN 125	5
11	6001	Spring washer 8 DIN 127	4
12	6008	Spring washer 10 DIN 127	5




### Maximum Tightening Torques

M8 (8.8)	25 Nm
M10(8.8)	50Nm

Confidential

All rights in and to this document are property of ASFIR Ltd. and reserved to it. This document is forwarded to the recipient under the condition of and subject to the obligation of the recipient to keep the confidentiality of its contents. Copying transfer of distribution of this document or its contents and the use of it not for the purpose intended-are strictly forbidden.

				Drawing number	Product Description		
CHG.	David		09.04.17	JPW26.050.000	Vehicle Manufacturer	Jeep JK	
DWN.	Charnay		13.04.07		Vehicle Model	Wrangler	
CHKD.	David		09.04.17	Drawing description	Vehicle Version	LWB/SWB	
CONFIRM	Dani			Steering rod protector for ATL HD bumper	Year of Production	2007 - 2017	
<b>ASFIR LTD.</b>				Catalogue number	Gear Shift	Automatic	
				547112	Motor Model	Petrol 3.8L; 3.6L Diesel 2.8 JWF5	
				Weight,kg 12.0	Sheets 1	Transmission	4 x 4