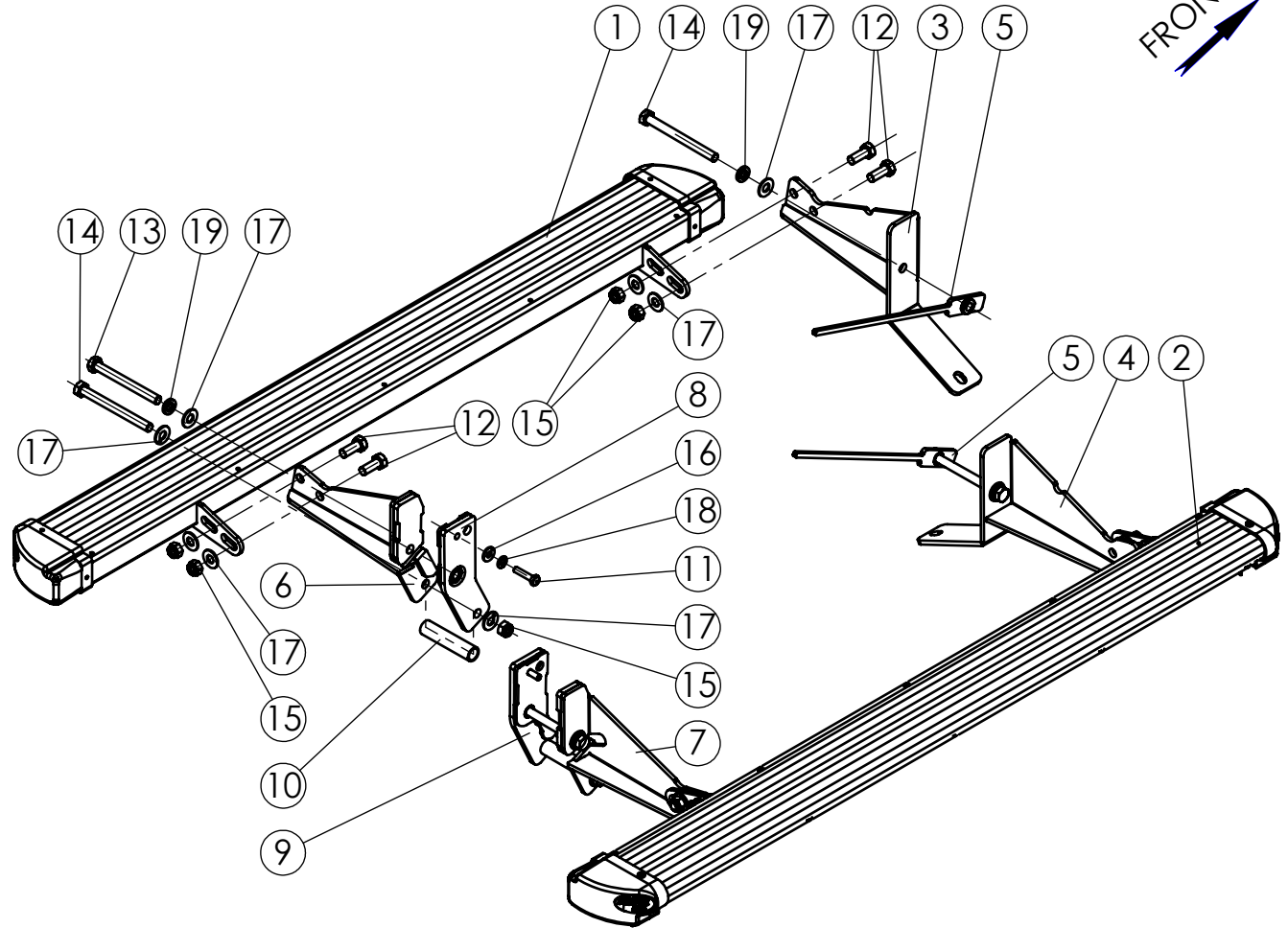


NO.	PART NUMBER	DESCRIPTION	QTY.
1	TYM50.100.000	LEFT STEP	1
2	TYM50.100.000R	RIGHT STEP	1
3	TYM27.000.003L	LEFT FRONT BRACKET	1
4	TYM27.000.003R	RIGHT FRONT BRACKET	1
5	TYM27.000.004	Spaser Nut M12	2
6	TYM21.030.000L	LEFT REAR BRACKET	1
7	TYM21.030.000R	RIGHT REAR BRACKET	1
8	TYM21.040.000L	Rear Left Connect	1
9	TYM21.040.000R	Rear Right Connect	1
10	8520	SPACER 1/2" L=93	2
11	1000	Hex bolt M8x35 DIN 933	2
12	1012	Hex bolt M12x1.75x30 DIN 933	8
13	1013	Hex bolt M12x1.75x120 DIN 931	2
14	1014	Hex bolt M12x1.75x130 DIN 931	4
15	3001	Hex Nut Nylock M12x1.75 DIN 985	10
16	6003	Washer 8x20 DIN 125	2
17	6006	Washer 12x24 DIN125	16
18	6001	Spring washer 8 DIN 127	2
19	6005	Spring washer 12 DIN 127	4



Maximum Tightening Torques

M8 (8.8)	25 Nm
M12 (8.8)	85 Nm

			Drawing number	Product Description	
CHG.	Charnay	02.10.13	TYM52.000.000	Vehicle Manuf.	TOYOTA
DWN.	Charnay	06.12.09		Vehicle Model	LAND CRUISER 125
PLN.	David	23.01.17	Drawing description Side Step Protector Silver	Vehicle Version	3 DOORS
CONFIRM	Dani			VIN	
ASFIR LTD.			Catalogue number	Year of Product.	2003-2009
			560047	Gear Shift	AUTOMATIC
			Weight,kg 26	Motor Model	PETROL
				Transmission	4X4

Confidential

All rights in and to this document are property of ASFIR Ltd. and reserved to it. This document is forwarded to the recipient under the condition of and subject to the obligation of the recipient to keep the confidentiality of its contents. Copying, transfer or distribution of this document or its contents and the use of it not for the purpose intended-are strictly forbidden.