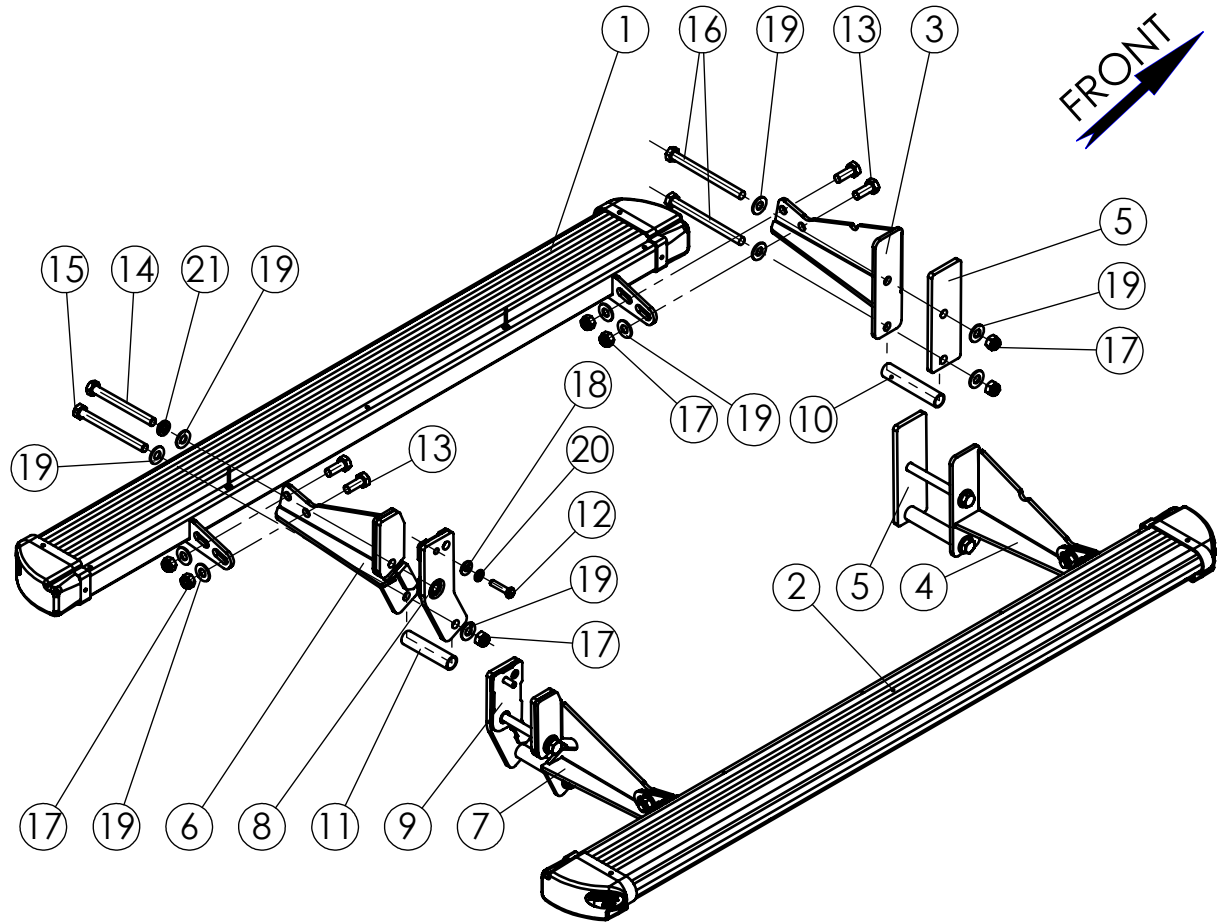


NO.	PART NUMBER	DESCRIPTION	QTY.
1	TYM50.100.000	LEFT STEP	1
2	TYM50.100.000R	RIGHT STEP	1
3	TYM21.000.001L	LEFT BRACKET	1
4	TYM21.000.001R	RIGHT BRACKET	1
5	TYM21.000.004	FRONT CONNECT	2
6	TYM21.030.000L	LEFT REAR BRACKET	1
7	TYM21.030.000R	RIGHT REAR BRACKET	1
8	TYM21.040.000L	REAR LEFT CONNECT	1
9	TYM21.040.000R	REAR RIGHT CONNECT	1
10	8561	SPACER 1/2" L=108	2
11	8520	SPACER 1/2" L=93	2
12	1000	Hex bolt M8x35 DIN 933	2
13	1012	Hex bolt M12x1.75x30 DIN 933	8
14	1013	Hex bolt M12x1.75x120 DIN 931	2
15	1014	Hex bolt M12x1.75x130 DIN 931	2
16	1015	Hex bolt M12x1.75x140 DIN 931	4
17	3013	Hex Nut Nylock M12x1.75 DIN 985	14
18	6003	Washer 8x20 DIN 125	2
19	6006	Washer 12x24 DIN125	22
20	6001	Spring washer 8 DIN 127	2
21	6005	Spring washer 12 DIN 127	2



MAXIMUM TIGHTENING TORQUES

M12 (8.8)	→	85 Nm
M8 (8.8)	→	25 Nm

	NAME	SIGN.	DATE	Drawing number	Product Description	
CHG.	Charnay		07.03.16	TYM50.000.000	Vehicle Manuf.	TOYOTA
DWN.	Charnay		01.12.09		Vehicle Model	LAND CRUISER 125
PLN.	David	<i>David</i>	<i>12/6</i>	Drawing description	Vehicle Version	3 DOORS
CONFIRM	Dani			Side Step Protector Silver	VIN	
ASFIR LTD.				Catalogue number	Year of Product.	2003-2009
				560056	Gear Shift	AUTOMATIC
				Weight,kg 25	Motor Model	DIESEL
					Transmission	4X4

Confidential
All rights in and to this document are property of ASFIR Ltd. and reserved to it.
This document is forwarded to the recipient under the condition of and subject
to the obligation of the recipient to keep the confidentiality of its contents.
Copying, transfer or distribution of this document or its contents and the use
of it not for the purpose intended-are strictly forbidden.