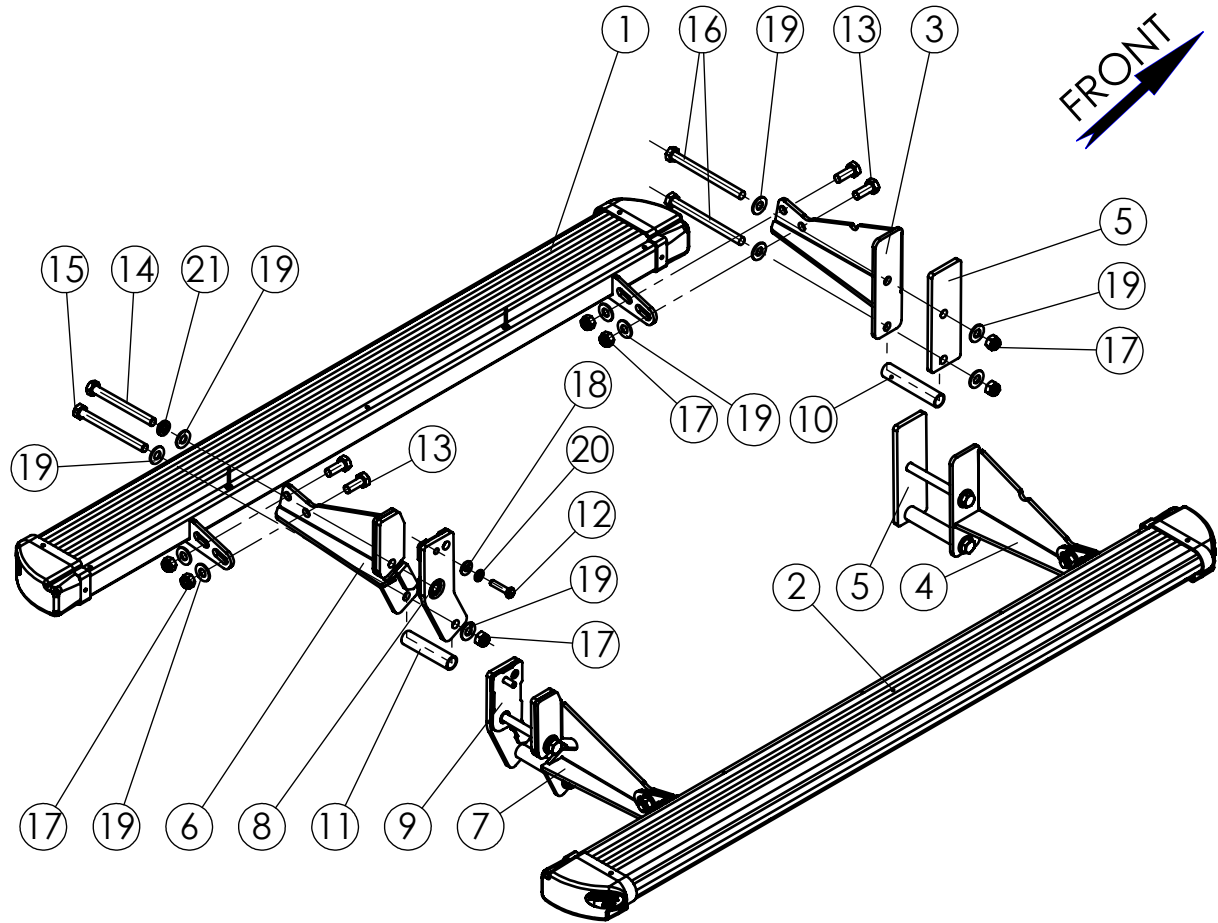


NO.	PART NUMBER	DESCRIPTION	QTY.
1	TYM50.100.000	LEFT STEP	1
2	TYM50.100.000R	RIGHT STEP	1
3	TYM21.000.001L	LEFT BRACKET	1
4	TYM21.000.001R	RIGHT BRACKET	1
5	TYM21.000.004	FRONT CONNECT	2
6	TYM21.030.000L	LEFT REAR BRACKET	1
7	TYM21.030.000R	RIGHT REAR BRACKET	1
8	TYM21.040.000L	REAR LEFT CONNECT	1
9	TYM21.040.000R	REAR RIGHT CONNECT	1
10	8561	SPACER 1/2" L=108	2
11	8520	SPACER 1/2" L=93	2
12	1000	Hex bolt M8x35 DIN 933	2
13	1012	Hex bolt M12x1.75x30 DIN 933	8
14	1013	Hex bolt M12x1.75x120 DIN 931	2
15	1014	Hex bolt M12x1.75x130 DIN 931	2
16	1015	Hex bolt M12x1.75x140 DIN 931	4
17	3013	Hex Nut Nylock M12x1.75 DIN 985	14
18	6003	Washer 8x20 DIN 125	2
19	6006	Washer 12x24 DIN125	22
20	6001	Spring washer 8 DIN 127	2
21	6005	Spring washer 12 DIN 127	2



### MAXIMUM TIGHTENING TORQUES

M12 (8.8)	→	85 Nm
M8 (8.8)	→	25 Nm

				Drawing number	Product Description		
CHG.	NAME	SIGN.	DATE	TYM50.000.000B	Vehicle Manuf.	TOYOTA	
DWN.	Charnay		07.03.16		Vehicle Model	LAND CRUISER 125	
PLN.	David	<i>David</i>	01.12.09		Vehicle Version	3 DOORS	
CONFIRM	Dani			Drawing description	Side Step Protector	VIN	
<b>ASFIR LTD.</b>				Black	Year of Product.	2003-2009	
				Catalogue number	560057	Gear Shift	AUTOMATIC
				Weight,kg	25	Motor Model	DIESEL
					Transmission	4X4	

Confidential

All rights in and to this document are property of ASFIR Ltd. and reserved to it. This document is forwarded to the recipient under the condition of and subject to the obligation of the recipient to keep the confidentiality of its contents. Copying, transfer or distribution of this document or its contents and the use of it not for the purpose intended-are strictly forbidden.