

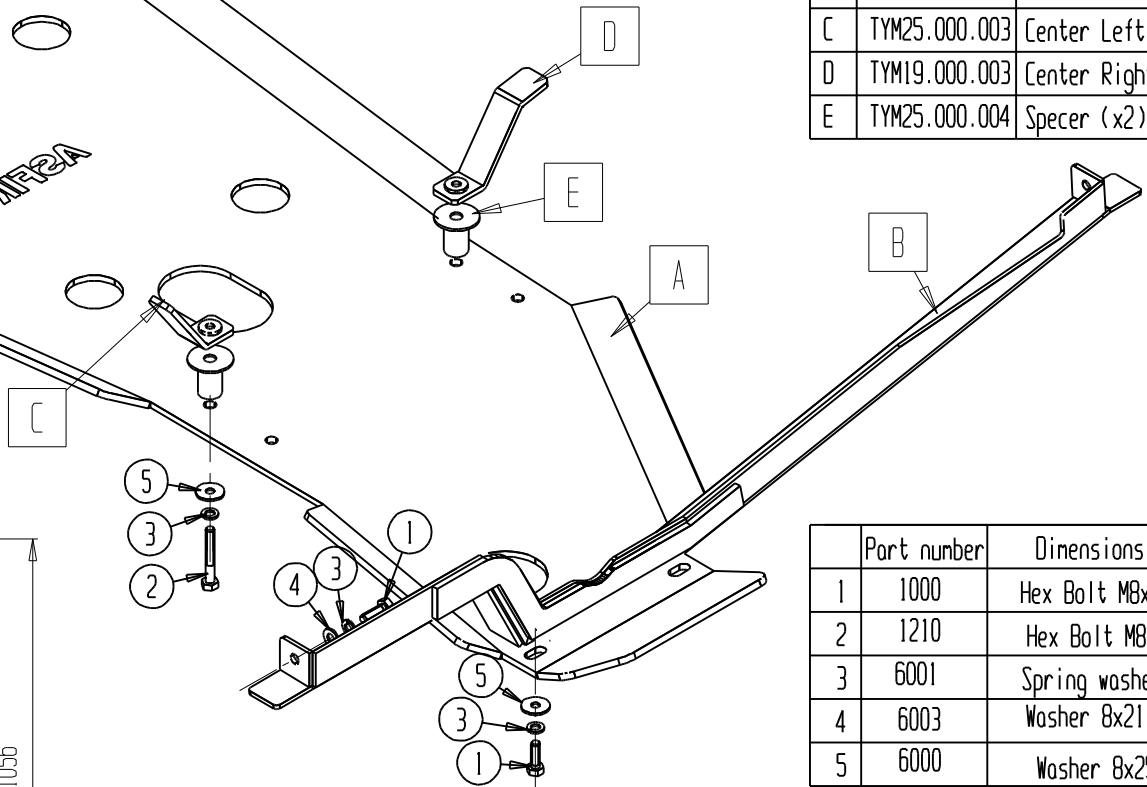
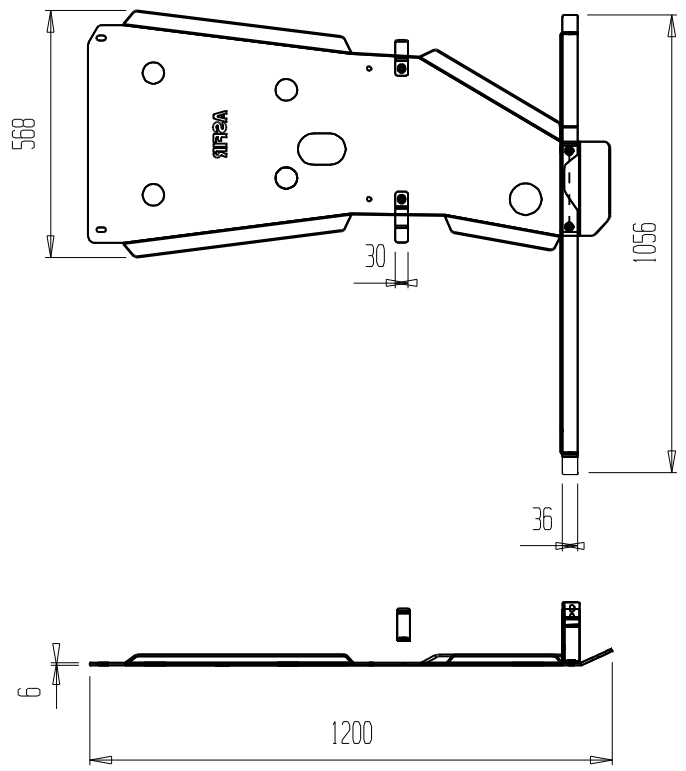
FRONT

PART NUMBER ASFIR 560061

	Sketch number	Description
A	TYM25.000.001E	Skid Plate(x1)
B	TYM25.010.000	Back Bracket(X1)
C	TYM25.000.003	Center Left Bracket (x1)
D	TYM19.000.003	Center Right Bracket (x1)
E	TYM25.000.004	Specer (x2)

BOLT FROM FRONT S.P

GENERAL DIMENSION  
DIMENSIONS IN MILLIMETERS



	Part number	Dimensions	Qty
1	1000	Hex Bolt M8x35 DIN 933	4
2	1210	Hex Bolt M8x70 DIN 931	2
3	6001	Spring washer 8 DIN 127	6
4	6003	Washer 8x21 DIN 125	2
5	6000	Washer 8x25 DIN 9021	4

**Confidential**

All rights in and to this document are the property of ASFIR Ltd. and reserved to it. This document is forwarded to the recipient under the condition of and subject to the obligation of the recipient to keep the confidentiality of its contents. Copying transfer of distribution of this document or its contents and the use of it not for the purpose intended-are strictly forbidden.

<b>ASFIR LTD.</b>	Name	Signature	Date
	Rev	Charnay	29.03.12
	Draw	Ofer	Ofer 10.1.05
Draw Number	Planning	Balk	
<b>TYM25.000.000</b>	Confirm	Dani	
	Description <b>GEAR/TRANSFER SKID PLATE</b>		
Weight 12.5 kg	Connection to <b>TOYOTA LEXUS CX-V8 '2003 LAND CRUISER PETROL '2003+</b>		