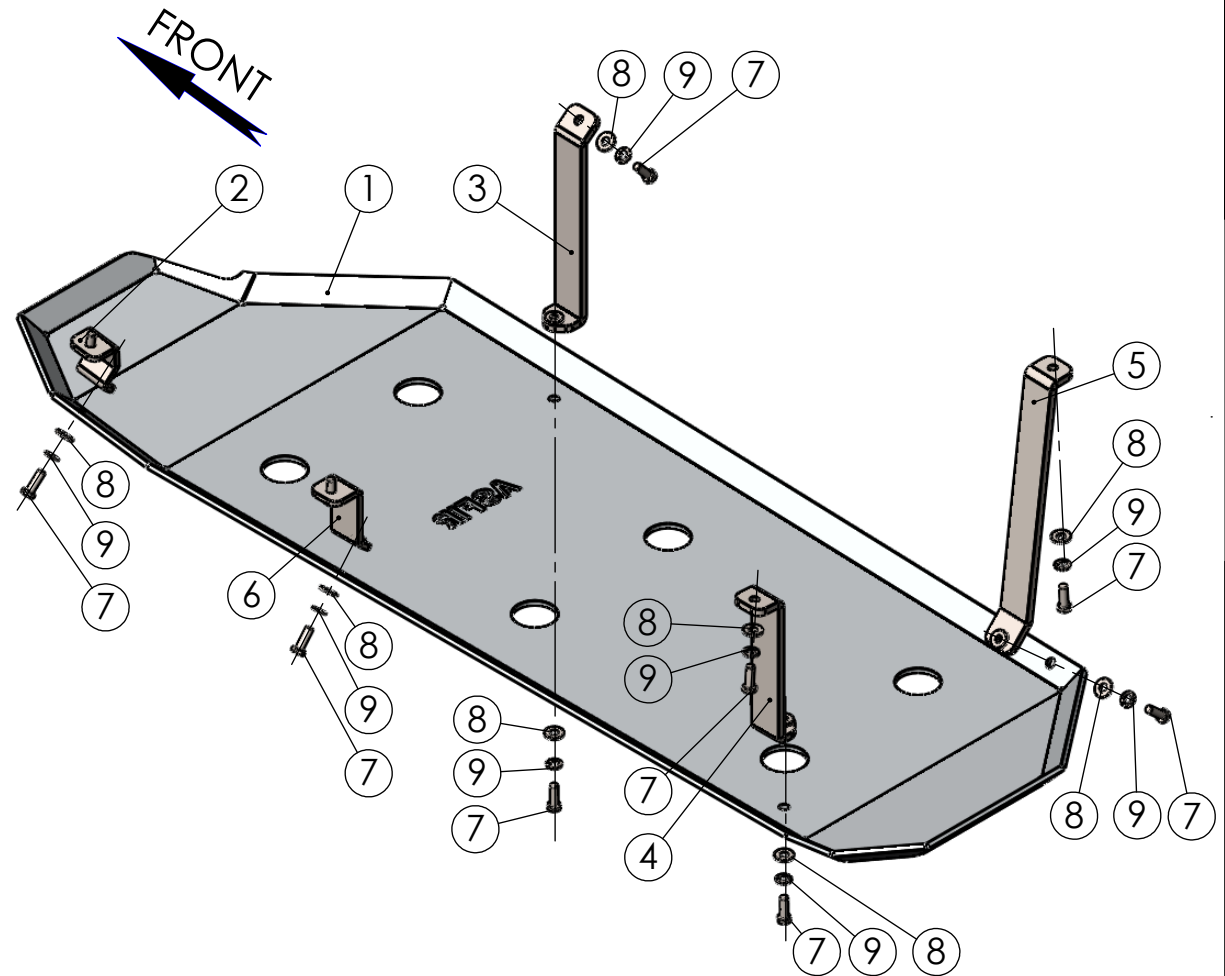


NO.	PART NUMBER	DESCRIPTION	QTY.
1	TYM20.000.001E	SKID PLATE	1
2	TYM20.000.002	LEFT FRONT BRACKET	1
3	TYM20.000.003	RIGHT FRONT BRACKET	1
4	TYM20.000.004	LEFT REAR BRACKET	1
5	TYM20.000.005	RIGHT REAR BRACKET	1
6	TYM20.000.006	LEFT MIDDLE BRACKET	1
7	1168	Hex bolt M8x25 DIN 933	10
8	6003	Washer 8x21 DIN 125	10
9	6001	Spring washer 8 DIN 127	10



1. Before mounting remove original skid plate.

	NAME	SIGN.	DATE	Drawing number	Product Description		
CHG.	Charnay		29.03.12	TYM20.000.000	Vehicle Manuf.	TOYOTA	
DWN.	Ofer		01.11.04		Vehicle Model	LAND CRUISER 120/125	LEXUS GX-V8
CHKD.	David			Drawing description	Vehicle Version		
CONFIRM	Dani			FUEL TANK SKID PLATE	VIN		
<b>ASFIR LTD.</b>				Catalogue number	Year of Product	2003-2009	2003
				560070	Gear Shift	MANUAL / AUTOMATIC	
					Motor Model	DIESEL / PETROL	
				Weight,kg : 12.5 Kg	Transmission	4X4	

Confidential

All rights in and to this document are property of ASFIR Ltd. and reserved to it. This document is forwarded to the recipient under the condition of and subject to the obligation of the recipient to keep the confidentiality of its contents. Copying, transfer or distribution of this document or its contents and the use of it not for the purpose intended-are strictly forbidden.