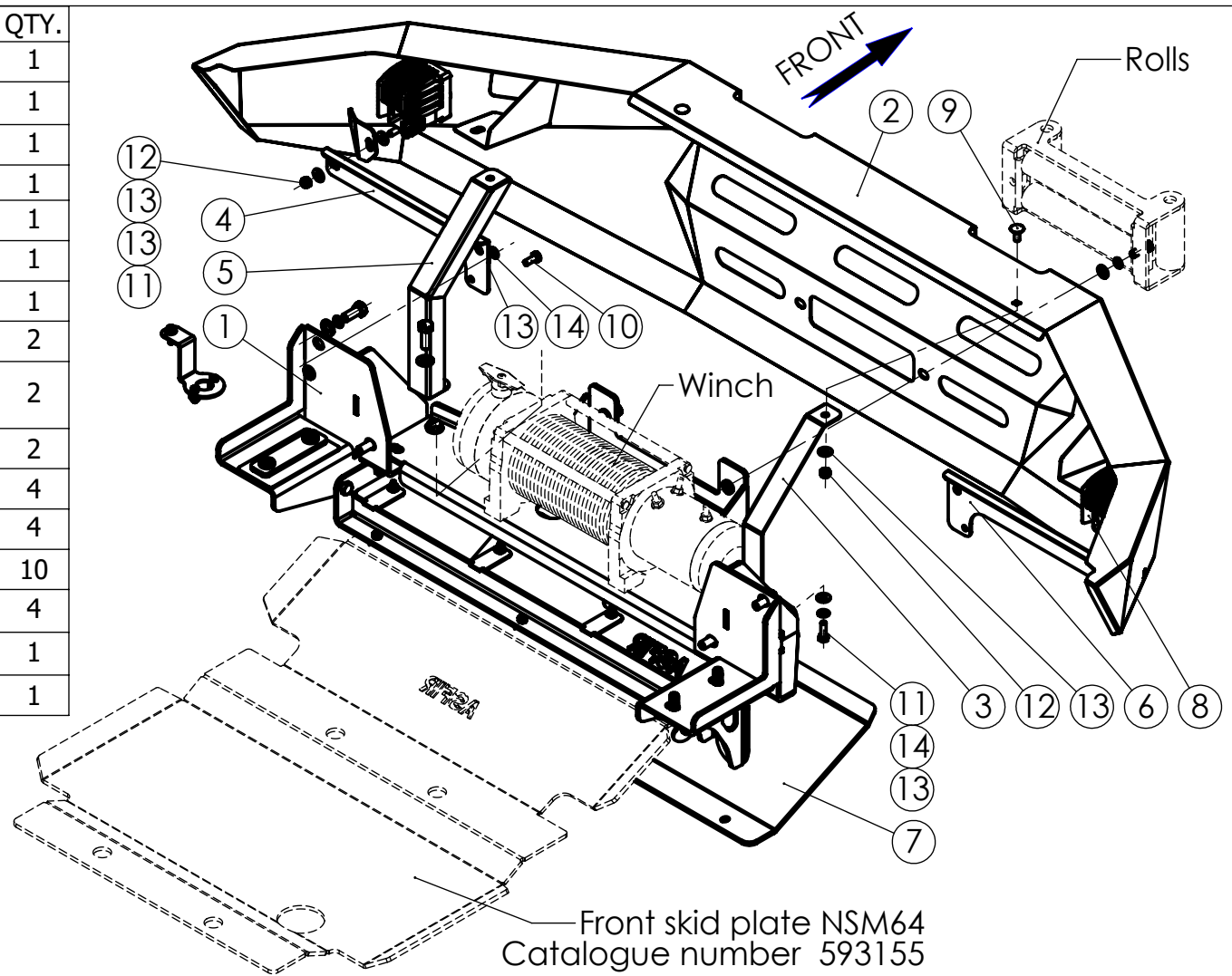


NO.	PART NUMBER	DESCRIPTION	QTY.
1	NSW55.100.000	Hidden winch plate	1
2	NSW55.000.100	Bumper	1
3	NSW55.000.101	Left bumper holder	1
4	NSW55.000.102	Left lever	1
5	NSW55.000.103	Right bumper holder	1
6	NSW55.000.104	Right lever	1
7	NSW55.000.003	Front Protector	1
8	917503	4 Led Spot Work Light 4020-SSA	2
9	1192	Mushroom head square neck Bolt M8x20 DIN 603	2
10	1161	Hex Bolt M8x20 DIN 933	2
11	1168	Hex Bolt M8x25 DIN 933	4
12	3005	Hex Nut Nylock M8 DIN 985	4
13	6003	Washer 8x20 DIN 125	10
14	6001	Spring washer 8 DIN 127	4
15	6946	Rubber U-shape L=2600 mm	1
16	NSW55.000.000I	Instructions	1



Maximum Tightening Torques	
M8 (8.8)	25 Nm
M10 (8.8)	50 Nm
M12 (8.8)	90 Nm

Confidential
All rights in and to this document are property of ASFIR Ltd. and reserved to it.
This document is forwarded to the recipient under the condition of and subject
to the obligation of the recipient to keep the confidentiality of its contents.
Copying transfer of distribution of this document or its contents and the use
of it not for the purpose intended are strictly forbidden.

	NAME	SIGN.	DATE
CHG.			
DWN.	Slava		22.05.17
PLN.	David		8.06.17
CONFIRM	Dani		

ASFIR LTD.

Product Description	
Drawing number	NSW55.000.000
Drawing description	Hidden winch plate
Catalogue number	593002
Weight,kg	35
Vehicle Manuf.	Nissan
Vehicle Model	Navara NP300
Vehicle Version	Double Cab
VIN	VSKCTND2340014649
Year of Product.	2017
Gear Shift	Manual/Automatic
Motor Model	Diesel
Transmission	4X4