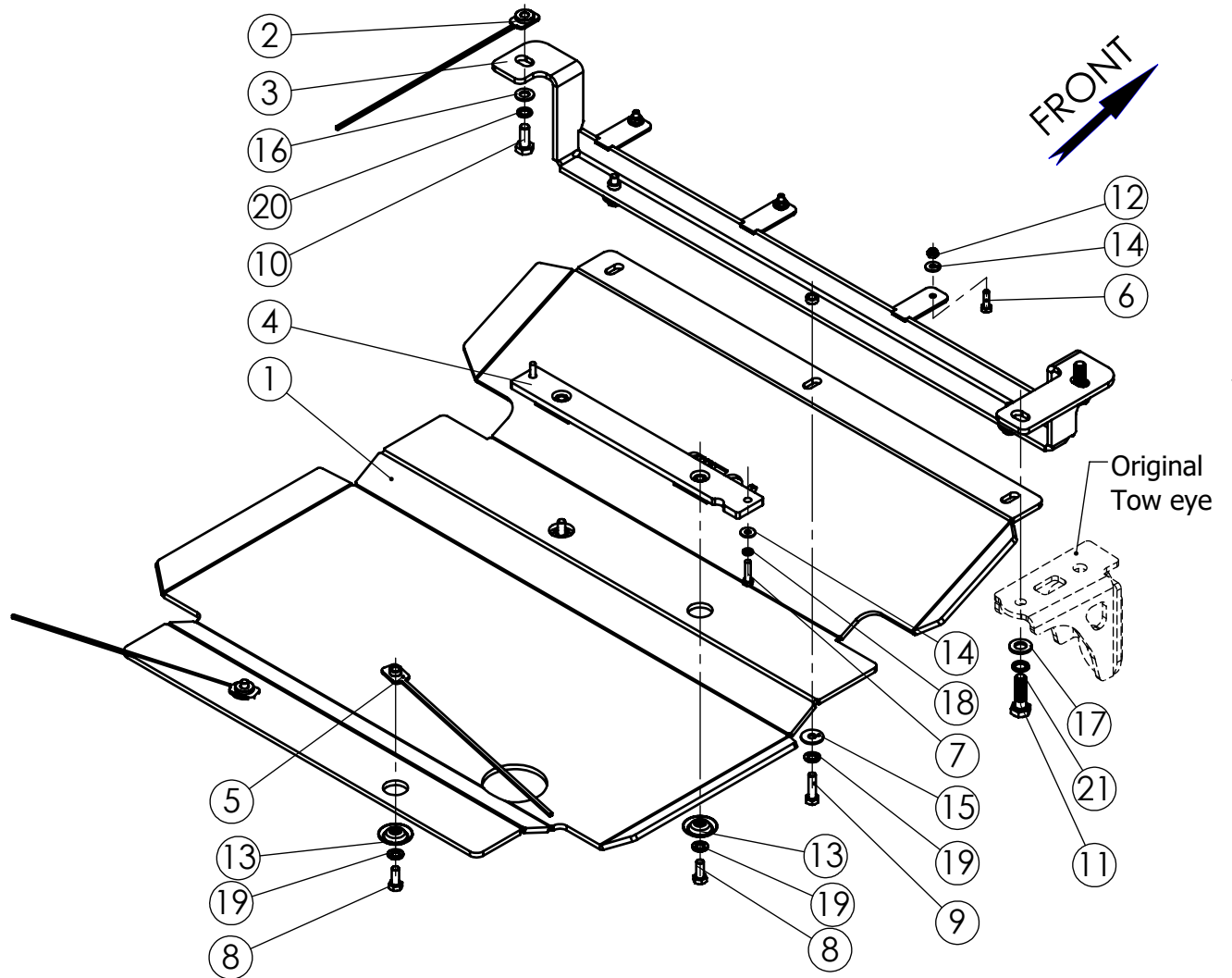


NO.	PART NUMBER	DESCRIPTION	QTY.
1	NSM64.000.001	Front Skid Plate	1
2	NSM64.000.002	Spacer Nut M10	2
3	NSM64.010.000	Front Bracket	1
4	NSM64.020.000	Middle bracket	1
5	NSM20.000.008	Spacer Nut M8 L=325	1
6	1104	Hex Bolt M6x20 DIN 933	4
7	1167	Hex Bolt M6x25 DIN 933	2
8	1161	Hex Bolt M8x20 DIN 933	4
9	1209	Hex Bolt M8x30 DIN 933	3
10	1048	Hex Bolt M10x1.5x25 DIN 933	1
11	1040	Hex Bolt M12x1.25x40 DIN 961	2
12	3006	Hex Nut Nylock M6 DIN 985	4
13	10858	Pocket washer 8	4
14	6018	Washer 6x16	6
15	6000	Washer 8x24 DIN 9021	3
16	6023	Washer 10x20 DIN125	1
17	6006	Washer 12x24 DIN 125	2
18	6009	Spring washer 6 DIN 127	2
19	6001	Spring washer 8 DIN127	7
20	6008	Spring washer 10 DIN 127	1
21	6005	Spring washer 12 DIN 127	2





Maximum Tightening Torques

M6 (8.8)	10 Nm
M8 (8.8)	25 Nm
M10 (8.8)	50 Nm
M12 (8.8)	85 Nm

Confidential

All rights in and to this document are property of ASFIR Ltd. and reserved to it. This document is forwarded to the recipient under the condition of and subject to the obligation of the recipient to keep the confidentiality of its contents. Copying transfer of distribution of this document or its contents and the use of it not for the purpose intended-are strictly forbidden.

				NAME	SIGN.	DATE	Drawing number	Product Description				
CHG.							NSM64.000.000	Vehicle Manuf.	Nissan			
DWN.				Slava		26.03.17		Vehicle Model	Navara NP300			
PLN.				David		06.04.17		Vehicle Version	Double Cab			
CONFIRM				Dani				VIN	VSKCTND2340014649			
ASFIR LTD.							Hidden winch plate		Year of Product.	2017		
							Catalogue number		Gear Shift		Manual/Automatic	
							593155		Motor Model		Diesel	
				Weight,kg 13.8			Transmission		4X4			