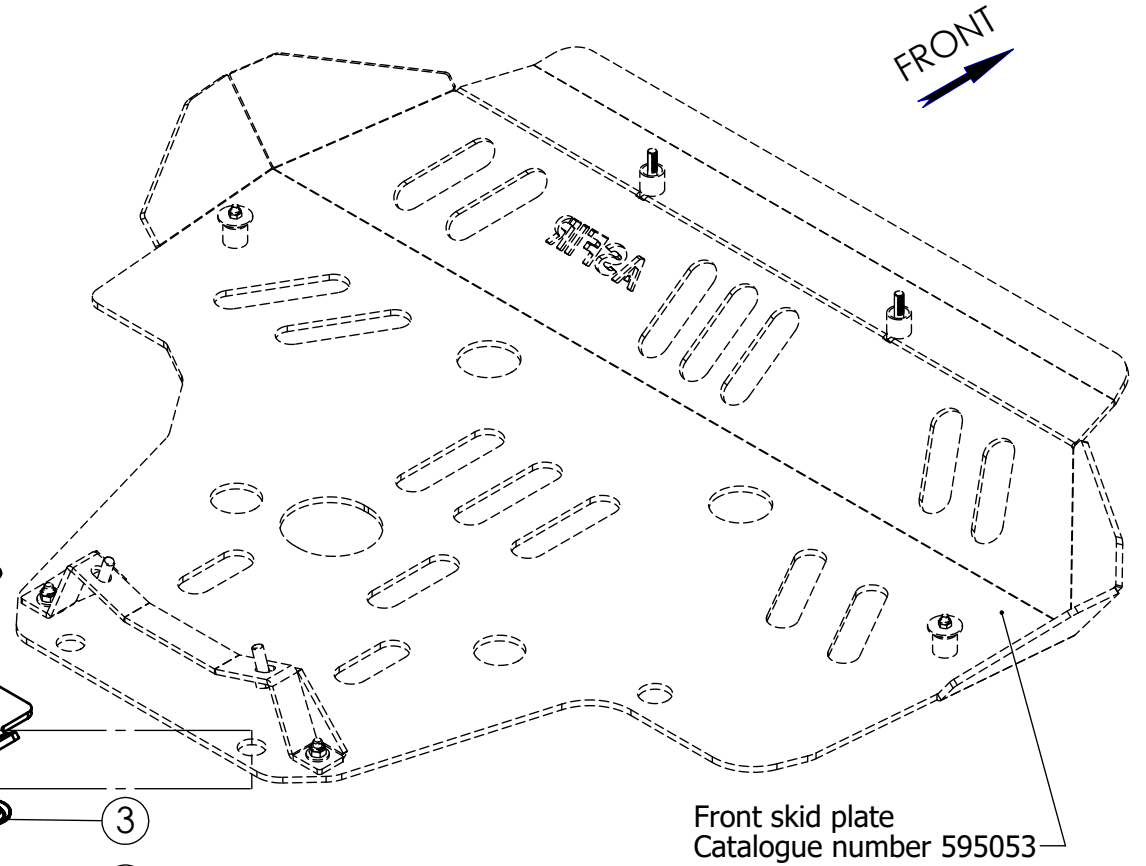
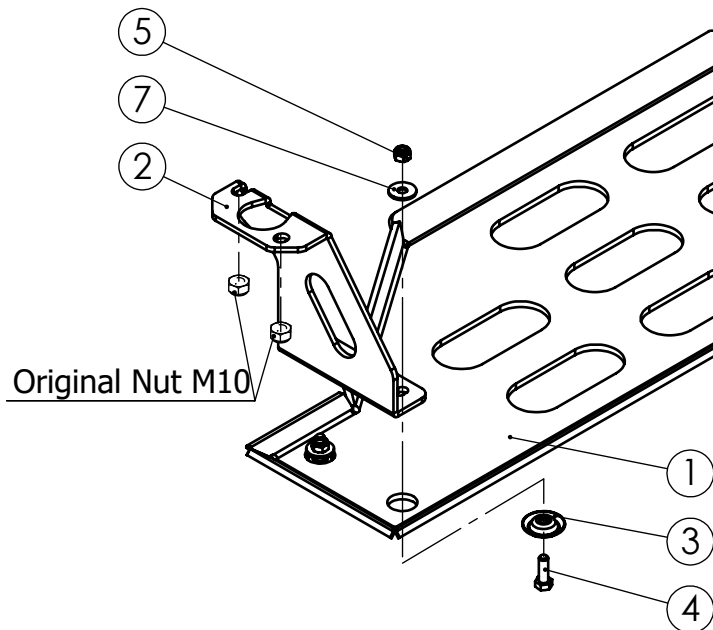


NO.	PART NUMBER	DESCRIPTION	QTY.
1	SUM12.000.001	Gear skid plate	1
2	SUM12.000.002	Rear bracket	1
3	10858	Pocket washer 8	4
4	1168	Hex Bolt M8x25 DIN 933	4
5	3005	Hex Nut Nylock M8 DIN 985	4
6	6003	Washer 8x20 DIN 125	2
7	6000	Washer 8x24 DIN 9021	2

Maximum Tightening Torques	
M8(8.8)	25Nm
M10x1.25	70 Nm



The Gear skid plate is mounted together with Front skid plate only!

				Product Description	
CHG.				Vehicle Manuf.	SUBARU
DWN.	Alex		30.07.17	Vehicle Model	FORESTER XT
PLN.	David		03.08.17	Vehicle Version	5 doors
CONFIRM	Dani			VIN	JF1SJGL85EG140449
ASFIR LTD.				Year of Prod.	2013 - 2017
				Catalogue number	595062
				Weight,kg	
				Gear Shift	Automatic
				Motor Model	Petrol 2.0L Turbo
				Transmission	4X4

Confidential
 All rights in and to this document are property of ASFIR Ltd. and reserved to it. This document is forwarded to the recipient under the condition of and subject to the obligation of the recipient to keep the confidentiality of its contents. Copying transfer of distribution of this document or its contents and the use of it not for the purpose intended are strictly forbidden.